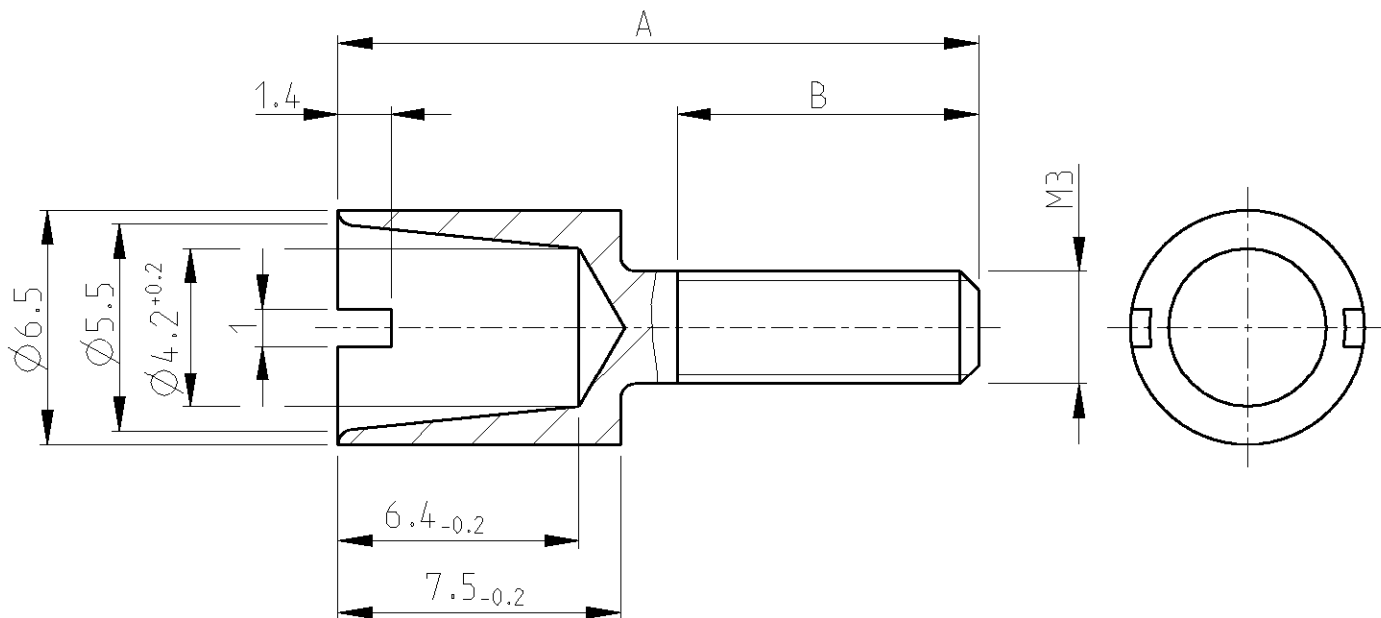


LOC	DIST	REVISIONS			
P	LTR	DESCRIPTION	DATE	DWN	APVD
A1	-				
	A1	NEW DRAWING PUBLISHED	04APR2007	ACK	MS



1 MATERIAL: BRASS  
SURFACE: NI OVER CU, GREASED

MATERIAL: MESSING  
OBERFLÄCHE: NI ÜBER CU, GEFETTET

TYCO ORDER NUMBER	OLD PART NUMBER	DIM. A	DIM. B
2-1393565-0	C42334-A100-C55	17	8
2-1393565-1	C42334-A100-C56	19.5	8
2-1393565-2	C42334-A100-C57	23	10

2007

RELEASED FOR PUBLICATION

THIS DRAWING IS UNPUBLISHED.

BY TYCO ELECTRONICS CORPORATION. ALL RIGHTS RESERVED.

© COPYRIGHT 2007

DIMENSIONS: MM		DWN G. ACKERMANN 04APR2007	MATERIAL -		FINISH -	
TOLERANCES UNLESS OTHERWISE SPECIFIED:		CHK N. GEISTER 05APR2007	tyco Electronics AMP GmbH D - 67346 Speyer			
0 PLC ±0.2 1 PLC ±0.2 2 PLC ±0.2 3 PLC ± 4 PLC ± ANGLES ±°		APVD M. SCHAARSCHMIDT -				
		PRODUCT SPEC -	NAME SOCKET BUCHSE			
		APPLICATION SPEC -	SIZE A 4	CAGE CODE 00779	DRAWING NO C=2-1393565-0	RESTRICTED TO -
		WEIGHT -	CUSTOMER DRAWING			
			SCALE 5:1	SHEET 1	OF 1	REV A1