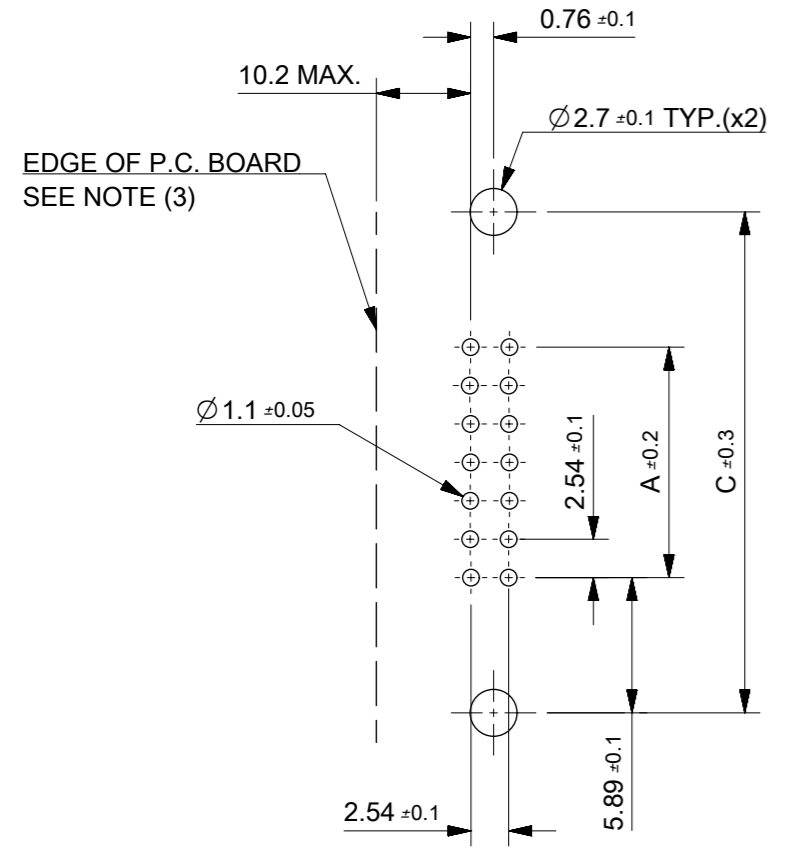


DETAIL G  
SCALE 4:1  
DIMENSIONS FOR SELECTIVE PLATING'S

- NOTES:  
 1. FOR MATERIAL SPECIFICATION SEE NOTE 1. ON SHEET 4.  
 2. FOR RECOMMENDED P.C.B. HOLE PATTERN, PART NO'S AND UNSTATED DIMENSIONS SEE SHEET 4.  
 3. PRODUCT SPEC. NO: PS-99020-0015

<b>SYMBOLS</b> ▽ = 0 ▽ = 0 ▽ = 0 ▽ = 0 ▽ = 0 ▽ = 0 ▽ = 0 ▽ = 0 ▽ = 0 ▽ = 0 ▽ = 0 ▽ = 0	THIS DRAWING CONTAINS INFORMATION THAT IS PROPRIETARY TO MOLEX ELECTRONIC TECHNOLOGIES, LLC AND SHOULD NOT BE USED WITHOUT WRITTEN PERMISSION DIMENSION UNITS: <b>mm</b> SCALE: <b>2:1</b>	CURRENT REV DESC: CAD MIGRATION EC NO: 605552 DRWN: EEGBEDIRE 2018/12/12 CHK'D: TTOURISH 2019/04/15 APPR: DMAHER 2019/04/15			
	GENERAL TOLERANCES (UNLESS SPECIFIED) ANGULAR TOL ± 0.5° 4 PLACES ± 3 PLACES ± 2 PLACES ± 0.2 1 PLACE ± 0.2 0 PLACES ±	INITIAL REVISION: DRWN: POB 1990/09/12 APPR: EOMAHONY 2010/08/25			
	DRAFT WHERE APPLICABLE MUST REMAIN WITHIN DIMENSIONS THIRD ANGLE PROJECTION DRAWING: A3-SIZE SERIES: 90572	MATERIAL NUMBER: ENTER PART CUSTOMER: GENERAL MARKET	DOCUMENT NUMBER: SDA-90572 DOC TYPE: PSD DOC PART: 001 REVISION: D1	SHEET NUMBER: 1 OF 2	

10.16	17.76	21.94	28.04	32.16	90572-1101	10
A	B	C	D	E	ENG. NO. GS1 PLATING	NO. OF CKTS

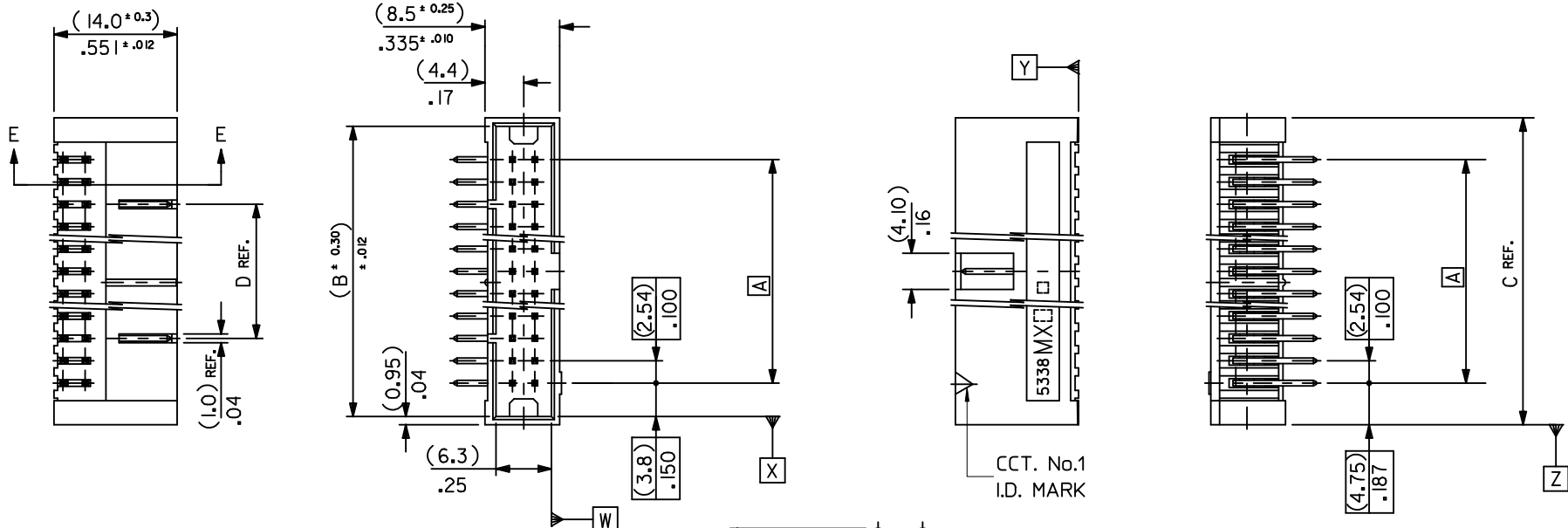


**RECOMMENDED P.C.B. HOLE PATTERN**

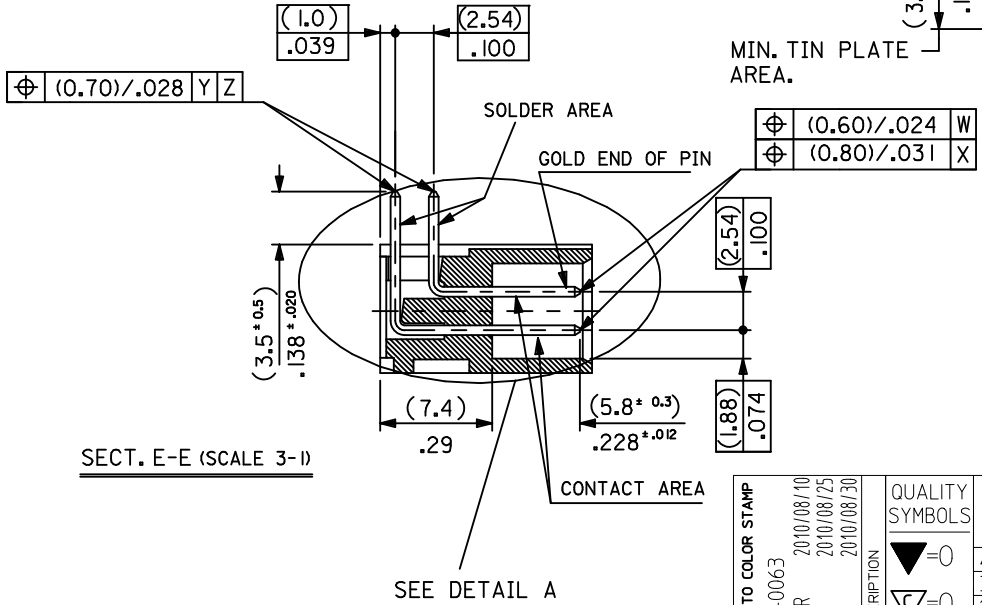
**NOTES:**

- MATERIAL: GLASS FILLED POLYESTER (UL 94 V0), COLOUR-BLACK.  
PINS: BRASS SIZE 0.635.  
LEVER: GLASS FILLED POLYESTER (UL 94 V0), COLOUR-BLACK.  
SPRING PIN: STEEL
- PLATING OPTIONS.  
90572-1\*\*1, 1µm MIN. NICKEL UNDERPLATE. CONTACT AREA  
GS1 PLATING 0.1µm MIN. GOLD. SOLDER AREA 3µm MIN.TIN.
- 10.2mm MAX. TO EDGE OF PCB FOR DAISY CHAIN APPLICATIONS.
- RECOMMENDED PCB THICKNESS 1.6mm

SYMBOLS	THIS DRAWING CONTAINS INFORMATION THAT IS PROPRIETARY TO MOLEX ELECTRONIC TECHNOLOGIES, LLC AND SHOULD NOT BE USED WITHOUT WRITTEN PERMISSION		CURRENT REV DESC: CAD MIGRATION				
	DIMENSION UNITS	SCALE					
▽ = 0	mm	2:1			QIK FLECS RIGHT ANGLE HEADER WITH DIN EJECT LEVERS FOR IMPROVED		
▽ = 0	GENERAL TOLERANCES (UNLESS SPECIFIED)						
▽ = 0	ANGULAR TOL ± 0.5°				PRODUCT CUSTOMER DRAWING		
▽ = 0	4 PLACES	±					
▽ = 0	3 PLACES	±			DOCUMENT NUMBER <b>SDA-90572</b>		
▽ = 0	2 PLACES	± 0.2					
▽ = 0	1 PLACE	± 0.2			DOC TYPE PSD		
▽ = 0	0 PLACES	±					
□ = 0	DRAFT WHERE APPLICABLE MUST REMAIN WITHIN DIMENSIONS		THIRD ANGLE PROJECTION		DOC PART 001		
▽ = 0							
			DRAWING		REVISION D1		
			A3-SIZE				
			SERIES		SHEET NUMBER 2 OF 2		
			90572				
			MATERIAL NUMBER		CUSTOMER GENERAL MARKET		
			SEE CHART				



- NOTES:**
- 1: FOR MATERIAL SPECIFICATION SEE NOTE 1. ON SHEET 4.
  - 2: FOR RECOMMENDED P.C.B.HOLE PATTERN, PART No's AND UNSTATED DIMENSIONS SEE SHEET 4.
  - 3: PRODUCT SPEC. No.: PS-99020-0015.



**DETAIL A**  
DIMENSIONS FOR SELECTIVE PLATING'S, SCALE 4:1

REMOVED REF'S TO COLOR STAMP EC NO: E2011-0063 DRWN: JOCONNOR 2010/08/10 CHYD: 2010/08/25 APPR: EFOLAN 2010/08/30	QUALITY SYMBOLS	GENERAL TOLERANCES (UNLESS SPECIFIED)	DIMENSION STYLE	SCALE	DESIGN UNITS	THIRD ANGLE PROJECTION
	$\nabla = 0$ $\square = 0$	mm    INCH 4 PLACES ± --- ± --- 3 PLACES ± --- ± .008 2 PLACES ± 0.20 ± .008 1 PLACE ± 0.20 ± --- ANGULAR ± 1/2°	MM/IN	2:1	METRIC	
			DRAWN BY: POB    DATE: 1990/09/17 CHECKED BY:    DATE: APPROVED BY: EFOLAN    DATE: 2010/08/25	TITLE	QIK FLECS RIGHT ANGLE HEADER FOR IMPROVED WIPE FEMALE	
		DRAFT WHERE APPLICABLE MUST REMAIN WITHIN DIMENSIONS	MATERIAL NO.    ENTER PART SIZE: A3    THIS DRAWING CONTAINS INFORMATION THAT IS PROPRIETARY TO MOLEX INCORPORATED AND SHOULD NOT BE USED WITHOUT WRITTEN PERMISSION	MOLEX MOLEX INCORPORATED DOCUMENT NO.    SDA-90572 SHEET NO.    3 OF 4		

(78.74)/3.100	(86.34)/3.400	(88.24)/3.474	(63.50)/2.500	90572-2641	90572-2642	90572-2643		64
(73.66)/2.900	(81.26)/3.200	(83.16)/3.274	(50.80)/2.000	↑ -2601	↑ -2602	↑ -2603		60
(60.96)/2.400	(68.56)/2.700	(70.46)/2.774	(38.10)/1.500	-2501	-2502	-2503	90572-2509	50
(48.26)/1.900	(55.86)/2.200	(57.76)/2.274	(33.02)/1.300	-2401	-2402	-2403	↑ -2409	40
(40.64)/1.600	(48.24)/1.900	(50.14)/1.974	(30.48)/1.200	-2341	-2342	-2343	↑ -2349	34
(35.56)/1.400	(43.16)/1.700	(45.06)/1.774	(25.40)/1.000	-2301	-2302	-2303	-1309	30
(30.48)/1.200	(38.08)/1.500	(39.98)/1.547	—————	-2261	-2262	-2263	-2269	26
(22.86)/.900	(30.46)/1.200	(32.36)/1.274	—————	-2201	-2202	-2203	-1209	20
(17.78)/.700	(25.38)/1.000	(27.28)/1.074	—————	-2161	-2162	-2163	-2169	16
(15.24)/.600	(22.84)/.900	(24.74)/.974	—————	↓ -2141	↓ -2142	↓ -2143	↓ -2149	14
(10.16)/.400	(17.76)/.700	(19.66)/.774	—————	90572-2101	90572-2102	90572-2103	90572-2109	10
A	B	C	D	ENG. NO. GSI PLATING	ENG. NO. GS2 PLATING	ENG. NO. GS3 PLATING	ENG. NO. PRE TIN	NO.OF CKTS.

**NOTES**

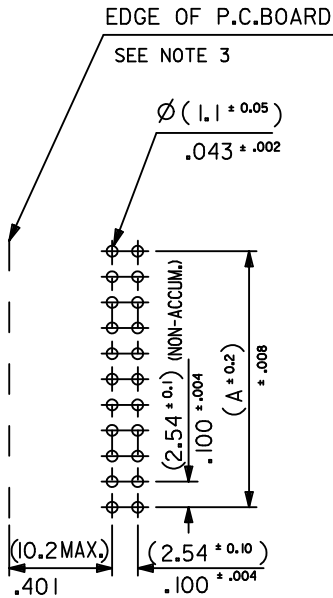
**1. MATERIAL**

HEADER : GLASS FILLED POLYESTER (UL 94V0), COLOUR - BLACK.  
 PINS : BRASS SIZE  $\square$  (0.635)/.025 .  
 LEVER : GLASS FILLED POLYESTER (UL 94V0), COLOUR - BLACK.  
 SPRING PINS : STEEL

**2. PLATING OPTIONS.**

90572-2\*\*1, (1um)/39uin MIN. NICKEL UNDERPLATE. CONTACT AREA  
 GSI PLATING (0.1um)/4uin MIN. GOLD. SOLDER AREA (3um)/118uin MIN. TIN.  
 90572-2\*\*2, (1um)/39uin MIN. NICKEL UNDERPLATE. CONTACT AREA  
 GS2 PLATING (0.76um)/30uin MIN. GOLD. SOLDER AREA (3um)/118uin MIN. TIN.  
 90572-2\*\*3, (1um)/39uin MIN. NICKEL UNDERPLATE. CONTACT AREA  
 GS3 PLATING (0.25um)/10uin MIN. GOLD. SOLDER AREA (3um)/118uin MIN. TIN.  
 90572-2\*\*9, (0.5-1um)/20-40uin NICKEL UNDER (1.0-3.0um)/39-118uin TIN. PRE-TIN

- 10.2mm MAX. TO EDGE OF PCB FOR DAISY CHAIN APPLICATIONS.
- RECOMMENDED PCB THICKNESS 1.6mm



**RECOMMENDED P.C. BOARD PATTERN**

REMOVED REFS TO COLOR STAMP EC NO: E2011-0063 DRWN: JOCONNOR 2010/08/10 CHKD: 2010/08/25 APPR: EFOLAN 2010/08/30	QUALITY SYMBOLS ▽=0 ◻=0	GENERAL TOLERANCES (UNLESS SPECIFIED)		DIMENSION STYLE	SCALE	DESIGN UNITS	THIRD ANGLE PROJECTION	
		mm	INCH	MM/IN	2:1	METRIC	☉ □	
		4 PLACES ± --- ± ---		DRAWN BY	DATE	TITLE		
		3 PLACES ± --- ± .008		POB	1990/07/17	QIK FLECS RIGHT ANGLE HEADER FOR IMPROVED WIPE FEMALE		
		2 PLACES ± 0.20 ± .008		CHECKED BY	DATE	MOLEX INCORPORATED		
		1 PLACE ± 0.20 ± ---		APPROVED BY	DATE	SDA-90572		
		ANGULAR ± 1/2°		EFOLAN	2010/08/25	4 OF 4		
		DRAFT WHERE APPLICABLE MUST REMAIN WITHIN DIMENSIONS		MATERIAL NO.	SEE CHART	DOCUMENT NO.	SHEET NO.	
				SIZE	A3	THIS DRAWING CONTAINS INFORMATION THAT IS PROPRIETARY TO MOLEX INCORPORATED AND SHOULD NOT BE USED WITHOUT WRITTEN PERMISSION		