

MATERIAL NUMBER	# OF COLUMNS	# OF DIFF PAIR	DIM "A" MAX	DIM "B"	PTH#
76560-1**	10	60	26.60	17.10	0.46+0.05
76560-7**	14	84	34.20	24.70	0.46+0.05
76560-6**	16	96	38.00	28.50	0.46+0.05
76560-1**	10	60	26.60	17.10	0.39+0.05
76560-7**	14	84	34.20	24.70	0.39+0.05
76560-6**	16	96	38.00	28.50	0.39+0.05

76560-****

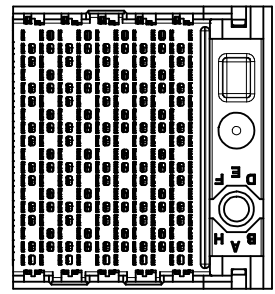
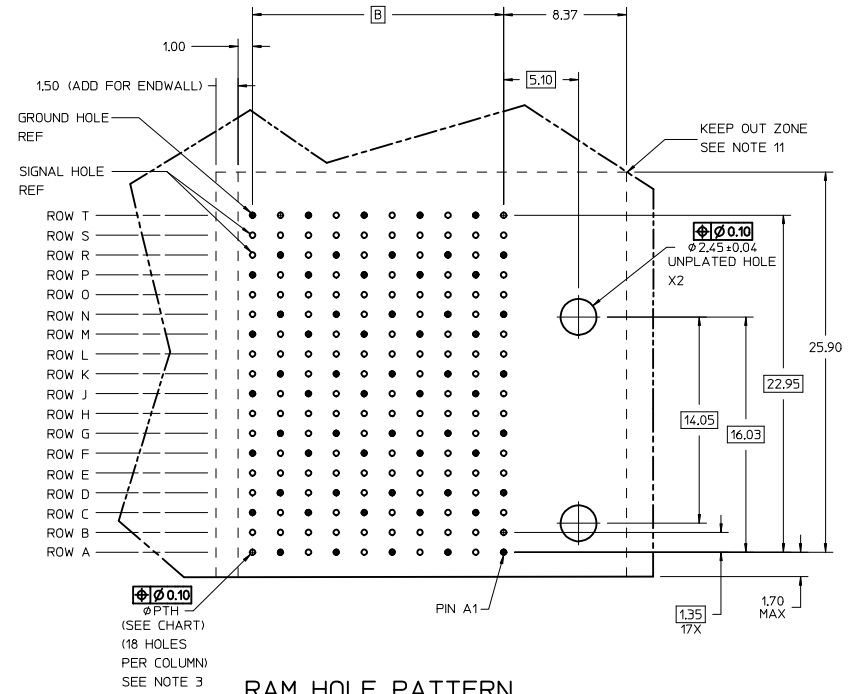
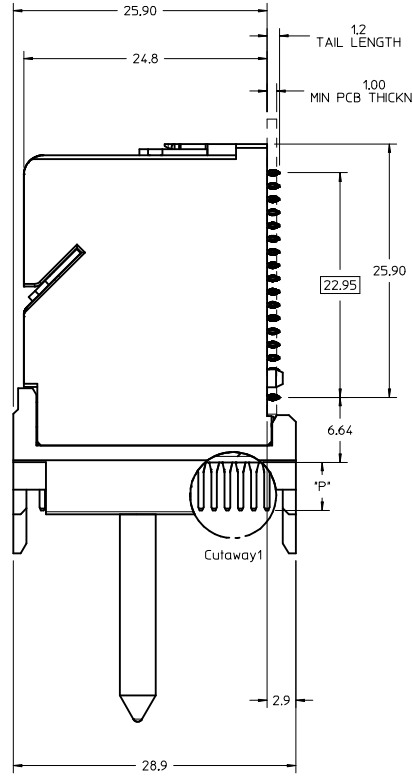
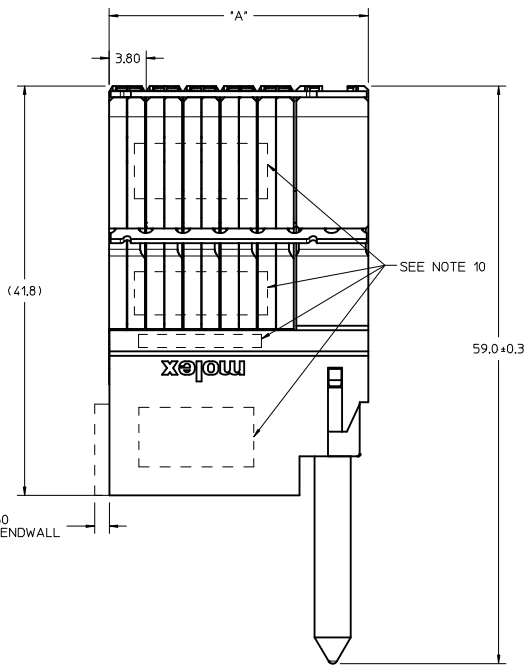
MODULE TYPE
 5 - GUIDED, LEAD-FREE
 9 - GUIDED, LEAD-FREE W/ ENDWALL

OF COLUMNS
 1 - 10 COLUMNS
 6 - 16 COLUMNS
 7 - 14 COLUMNS

PIN LENGTH (P)
 4 = 4.90 (0.46 PTH)
 5 = 5.50 (0.46 PTH)
 7 = 4.90 (0.39 PTH)
 8 = 5.50 (0.39 PTH)

KEY ORIENTATION
 0 = NO KEY
 1 = A
 2 = B
 3 = C
 4 = D
 5 = E
 6 = F
 7 = G
 8 = H

- NOTES:
1. MATERIALS: HOUSING - LIQUID CRYSTAL POLYMER (LCP), GLASS-FILLED, UL94V-0 TERMINALS - HIGH PERFORMANCE COPPER ALLOY
 2. FINISH: 30UM SELECTIVE GOLD IN CONTACT AREA, SELECTIVE TIN ON PCB TAILS, NICKEL OVERALL.
 3. REFER TO MOLEX PRODUCT SPECIFICATION PS-76060-999 FOR PERFORMANCE SPECIFICATIONS AND ADDITIONAL PCB INFORMATION.
 4. EACH SIGNAL WAFER CONTAINS 2 COLUMNS OF TERMINALS.
 5. PRODUCT IS PACKAGED PER PK-70873-777.
 6. THIS PART CONFORMS TO CLASS B REQUIREMENTS OF COSMETIC SPEC PS-45499-002.
 7. REFER TO MOLEX SALES DRAWING SD-76150-002 FOR THE MATING RECEPTACLES.
 8. REFER TO MOLEX PCB ROUTING GUIDE AS-76060-990 FOR ANTI PAD AND ROUTING RECOMMENDATIONS.
 9. OPEN WALL VERSION SHOWN FOR CLARITY, SEE PCB LAYOUT FOR OVERALL LENGTH ADDITION ON THE ASSEMBLES WITH ENDWALLS.
 10. MARKING LOCATED APPROXIMATELY AS SHOWN, PART NUMBER AND DATE CODE.
 11. THESE DIMENSIONS REPRESENT THE AREA NEEDED TO ACCOMMODATE CONNECTOR INSERTION AND REPAIR ON THE PCB, THIS IS REFERRED TO AS THE 'CONNECTOR KEEP OUT ZONE' AND DOES NOT REPRESENT THE ACTUAL PERIMETER OF THE CONNECTOR.

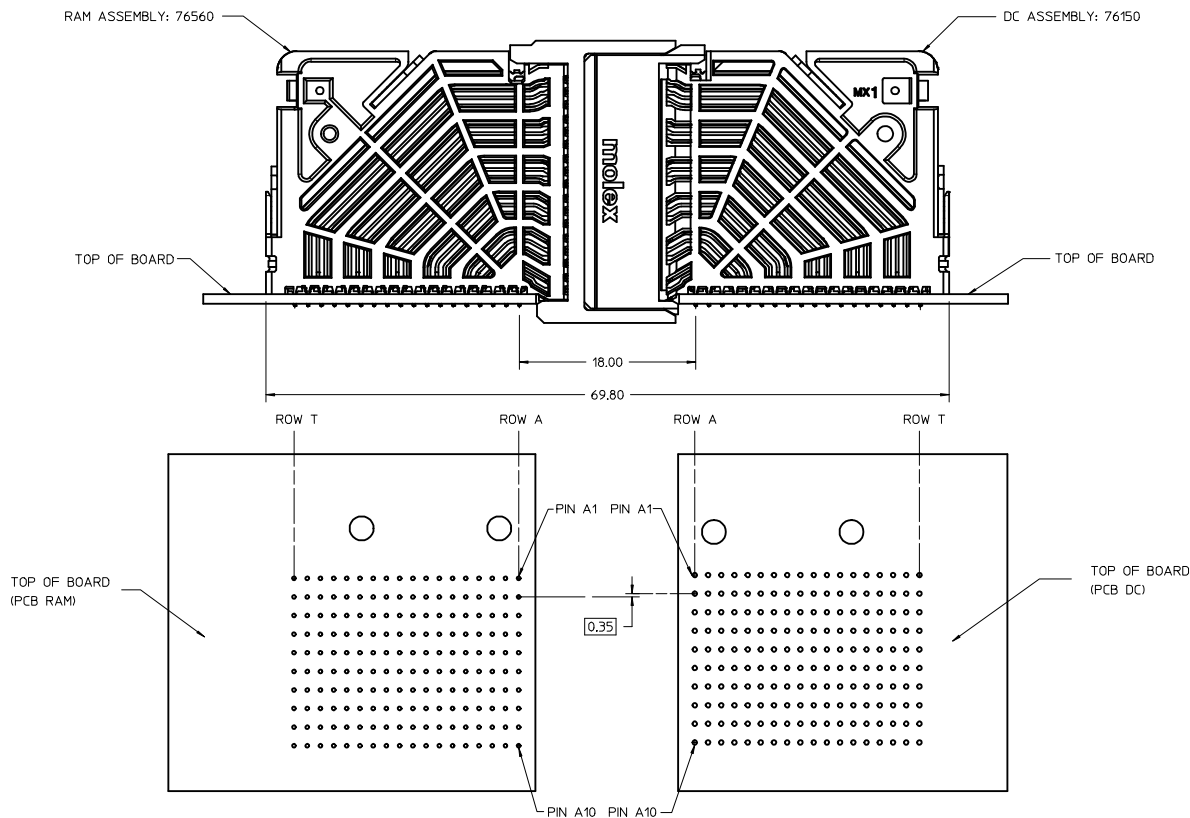


RAM HOLE PATTERN
(CONNECTOR SIDE)

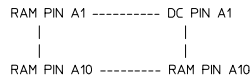
CORRECT GUIDE PIN DIMENSION IEC NO. UCF2017-2450 DRAWN BY: DRWNSMORGAN CHKD: CHYD APPR:TELO 2017/05/18	QUALITY SYMBOLS ▽=0 ▽=0 ▽=0	GENERAL TOLERANCES (UNLESS SPECIFIED)		DIMENSION STYLE MM ONLY		SCALE 4:1	DESIGN UNITS METRIC	THIRD ANGLE PROJECTION
		4 PLACES ± ---	± ---	INCH	DRAWN BY JGONZALEZ01	DATE 2015/06/25	TITLE IMPACT 6 PAIR RAM MARRIED GUIDE RIGHT SALES DRAWING	
REV A2	DESCRIPTION DRAFT WHERE APPLICABLE MUST REMAIN WITHIN DIMENSIONS	2 PLACES ± 0.13	± ---	APPROVED BY TELO	DATE 2016/01/10	MATERIAL NO. SEE TABLE		
		1 PLACE ± 0.25	± ---	DOCUMENT NO. SD-76560-9004			SHEET NO. 1 OF 2	
		0 PLACE ± ---	± ---	SIZE D			THIS DRAWING CONTAINS INFORMATION THAT IS PROPRIETARY TO MOLEX INCORPORATED AND SHOULD NOT BE USED WITHOUT WRITTEN PERMISSION	

20 19 18 17 16 15 14 13 12 11 10 9 8 7 6 5 4 3 2 1

COPLANAR APPLICATION



COPLANAR MATED SIGNAL PATHS



SEE SHEET 1 IEC NO: UCP2017-2490 DRAWN: MORGAN 2017/05/18 CHKD: APPR: TELO 2017/07/10 REY:	QUALITY SYMBOLS	GENERAL TOLERANCES (UNLESS SPECIFIED)	DIMENSION STYLE	SCALE	DESIGN UNITS	THIRD ANGLE PROJECTION
	▽=0	mm INCH	MM ONLY	4:1	METRIC	
	▽=0	4 PLACES ± --- ± ---	DRAWN BY	DATE	TITLE	
	▽=0	3 PLACES ± --- ± ---	JGONZALEZ01	2015/06/25	IMPACT 6 PAIR RAM MARRIED GUIDE RIGHT SALES DRAWING	
	2 PLACES ± 0.13 ± ---	CHECKED BY	DATE			
	1 PLACE ± 0.25 ± ---	APPROVED BY	DATE			
	0 PLACE ± --- ± ---	TELO	2016/01/10			
	ANGULAR ±1/2°	MATERIAL NO.				
	DRAFT WHERE APPLICABLE MUST REMAIN WITHIN DIMENSIONS	SEE CHART				
		DOCUMENT NO.				
		SD-76560-9004				
		SHEET NO.				
		2 OF 2				

19 18 17 16 15 14 13 12 11 10 9 8 7 6 5 4 3 2 1

MATERIAL NUMBER	# OF COLUMNS	# OF DIFF PAIR	DIM "A" MAX	DIM "B"	PTH#
76560-1**	10	60	26.60	17.10	0.46+0.05
76560-7**	14	84	34.20	24.70	0.46+0.05
76560-6**	16	96	38.00	28.50	0.46+0.05
76560-1**	10	60	26.60	17.10	0.39+0.05
76560-7**	14	84	34.20	24.70	0.39+0.05
76560-6**	16	96	38.00	28.50	0.39+0.05

76560-****

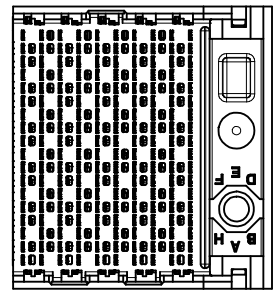
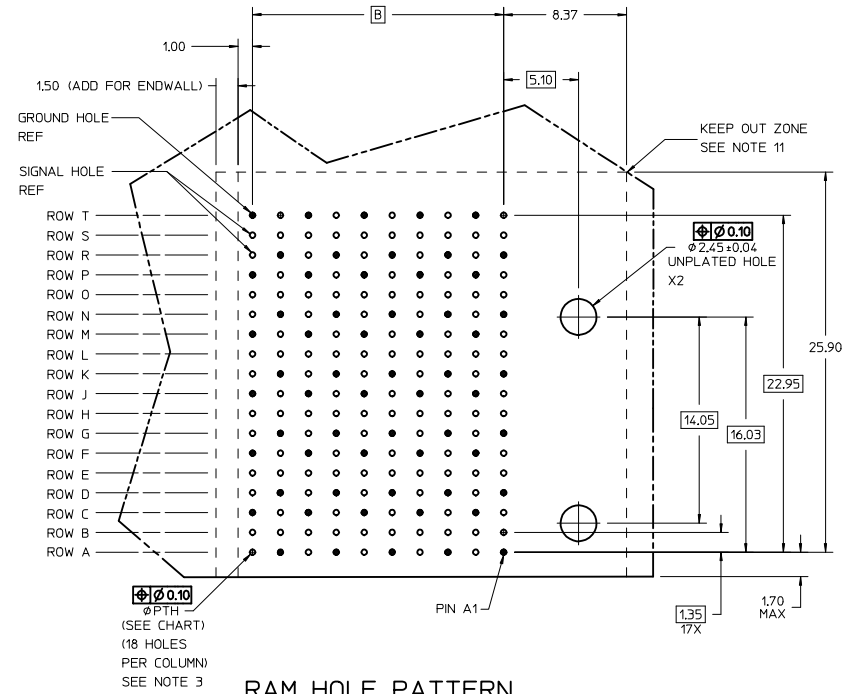
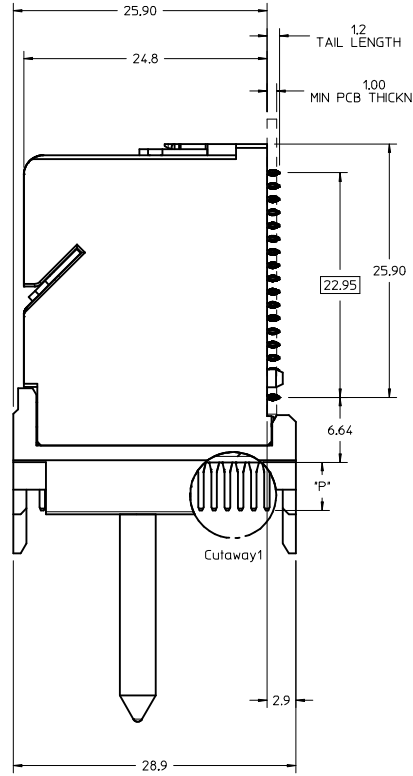
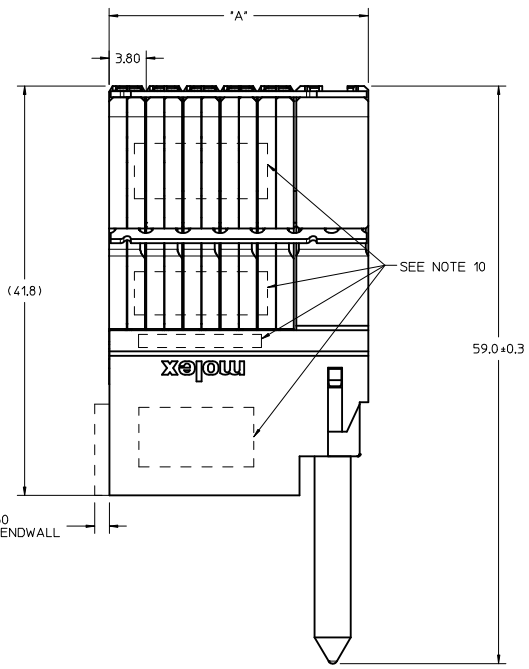
MODULE TYPE
 5 - GUIDED, LEAD-FREE
 9 - GUIDED, LEAD-FREE W/ ENDWALL

OF COLUMNS
 1 - 10 COLUMNS
 6 - 16 COLUMNS
 7 - 14 COLUMNS

PIN LENGTH (P)
 4 = 4.90 (0.46 PTH)
 5 = 5.50 (0.46 PTH)
 7 = 4.90 (0.39 PTH)
 8 = 5.50 (0.39 PTH)

KEY ORIENTATION
 0 = NO KEY
 1 = A
 2 = B
 3 = C
 4 = D
 5 = E
 6 = F
 7 = G
 8 = H

- NOTES:
1. MATERIALS: HOUSING - LIQUID CRYSTAL POLYMER (LCP), GLASS-FILLED, UL94V-0 TERMINALS - HIGH PERFORMANCE COPPER ALLOY
 2. FINISH: 30UM SELECTIVE GOLD IN CONTACT AREA, SELECTIVE TIN ON PCB TAILS, NICKEL OVERALL.
 3. REFER TO MOLEX PRODUCT SPECIFICATION PS-76060-999 FOR PERFORMANCE SPECIFICATIONS AND ADDITIONAL PCB INFORMATION.
 4. EACH SIGNAL WAFER CONTAINS 2 COLUMNS OF TERMINALS.
 5. PRODUCT IS PACKAGED PER PK-70873-777.
 6. THIS PART CONFORMS TO CLASS B REQUIREMENTS OF COSMETIC SPEC PS-45499-002.
 7. REFER TO MOLEX SALES DRAWING SD-76150-002 FOR THE MATING RECEPTACLES.
 8. REFER TO MOLEX PCB ROUTING GUIDE AS-76060-990 FOR ANTI PAD AND ROUTING RECOMMENDATIONS.
 9. OPEN WALL VERSION SHOWN FOR CLARITY, SEE PCB LAYOUT FOR OVERALL LENGTH ADDITION ON THE ASSEMBLES WITH ENDWALLS.
 10. MARKING LOCATED APPROXIMATELY AS SHOWN, PART NUMBER AND DATE CODE.
 11. THESE DIMENSIONS REPRESENT THE AREA NEEDED TO ACCOMMODATE CONNECTOR INSERTION AND REPAIR ON THE PCB, THIS IS REFERRED TO AS THE 'CONNECTOR KEEP OUT ZONE' AND DOES NOT REPRESENT THE ACTUAL PERIMETER OF THE CONNECTOR.

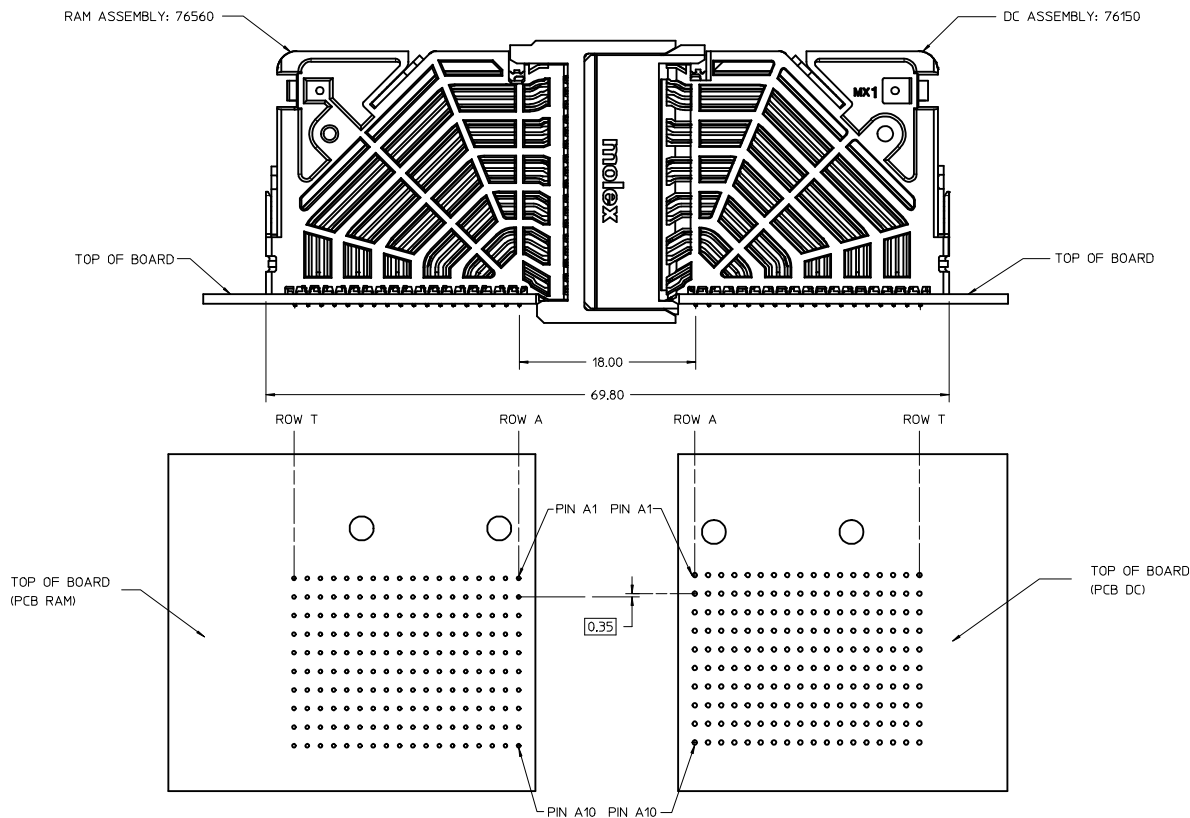


RAM HOLE PATTERN
(CONNECTOR SIDE)

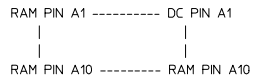
CORRECT GUIDE PIN DIMENSION IEC NO. UCF2017-2450 DRAWN BY: DRWNSMORGAN CHKD: CHYD APPR:TELO DATE: 2017/05/18	QUALITY SYMBOLS ▽=0 ▽=0 ▽=0	GENERAL TOLERANCES (UNLESS SPECIFIED)		DIMENSION STYLE MM ONLY		SCALE 4:1	DESIGN UNITS METRIC	THIRD ANGLE PROJECTION
		4 PLACES ± --- ± ---	3 PLACES ± --- ± ---	2 PLACES ± 0.13 ± ---	1 PLACE ± 0.25 ± ---	0 PLACE ± --- ± ---	DRAWN BY: JGONZALEZ01 DATE: 2015/06/25 CHECKED BY: --- DATE: --- APPROVED BY: --- DATE: 2016/01/10	
DRAFT WHERE APPLICABLE MUST REMAIN WITHIN DIMENSIONS		ANGULAR ±1/2°		MATERIAL NO. SEE TABLE		DOCUMENT NO. SD-76560-9004		SHEET NO. 1 OF 2

20 19 18 17 16 15 14 13 12 11 10 9 8 7 6 5 4 3 2 1

COPLANAR APPLICATION



COPLANAR MATED SIGNAL PATHS



SEE SHEET 1 IEC NO: UCP2017-2490 DRAWN: MORGAN 2017/05/18 CHKD: APPR: TELO 2017/07/10 REVISIONS:	QUALITY SYMBOLS	GENERAL TOLERANCES (UNLESS SPECIFIED)	DIMENSION STYLE	SCALE	DESIGN UNITS	THIRD ANGLE PROJECTION
	▽=0	mm INCH	MM ONLY	4:1	METRIC	
	▽=0	4 PLACES ± --- ± ---	DRAWN BY	DATE	TITLE	
	▽=0	3 PLACES ± --- ± ---	JGONZALEZ01	2015/06/25	IMPACT 6 PAIR RAM MARRIED GUIDE RIGHT SALES DRAWING	
	2 PLACES ± 0.13 ± ---	CHECKED BY	DATE			
	1 PLACE ± 0.25 ± ---	APPROVED BY	DATE			
	0 PLACE ± --- ± ---	TELO	2016/01/10			
	ANGULAR ±1/2°	MATERIAL NO.				
	DRAFT WHERE APPLICABLE MUST REMAIN WITHIN DIMENSIONS	SEE CHART				
		DOCUMENT NO.				
		SD-76560-9004				
		SHEET NO.				
		2 OF 2				

19 18 17 16 15 14 13 12 11 10 9 8 7 6 5 4 3 2 1