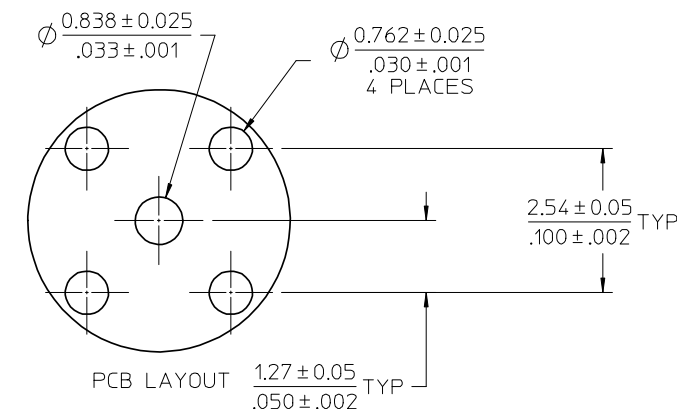
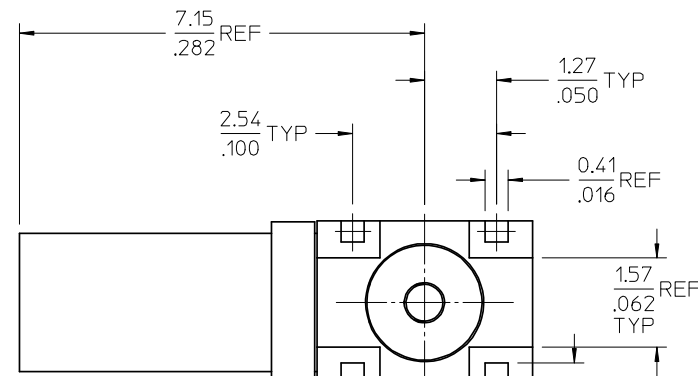
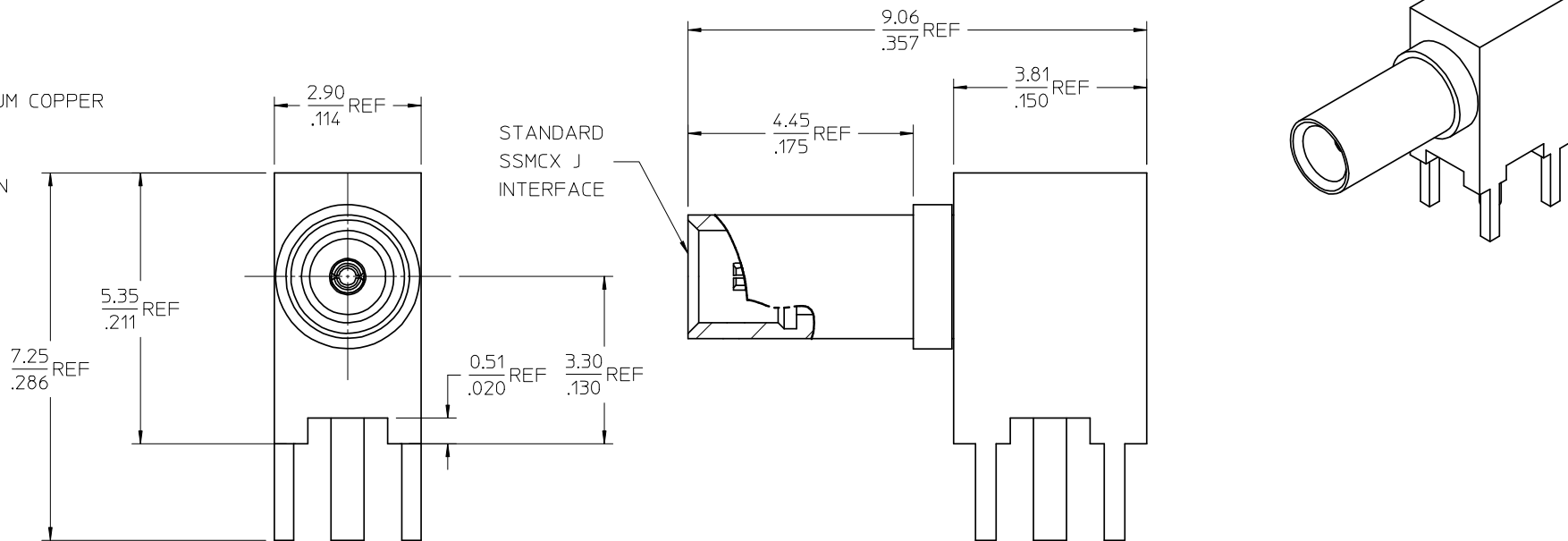


MATERIALS AND FINISHES

BODY: BRASS
PLATED GOLD

CONTACT: BERYLLIUM COPPER
PLATED GOLD

INSULATOR: TEFLON



PART # 73415-6890

PS-73599-0009-0011	INTERFACE SSMCX JACK
SPECIFICATION	DESCRIPTION

CHG: REVISED LEG AND PCB SPACING.	EC NO: URF2009-0044	DRWN:ROBERTSON 2008/07/28	CHKD:SSS 2008/07/28	APPR:JMIENER 2008/07/28
	DESCRIPTION			
REV	A1			

QUALITY SYMBOLS	▽=0	▽=0
-----------------	-----	-----

GENERAL TOLERANCES (UNLESS SPECIFIED)	mm	INCH
4 PLACES	± .005	± .0002
3 PLACES	± .005	± .0002
2 PLACES	± .005	± .0002
1 PLACE	± .005	± .0002
ANGULAR ± 2°		
DRAFT WHERE APPLICABLE MUST REMAIN WITHIN DIMENSIONS		

DIMENSION STYLE		SCALE
MM/IN		DESIGN UNITS
DRAWN BY		TITLE
DATE		THIRD ANGLE PROJECTION
CHECKED BY		
DATE		
APPROVED BY		
DATE		
MATERIAL NO.		DOCUMENT NO.
734156890		SD-73415-689
SIZE		SHEET NO.
C		1 OF 1

MOLEX INCORPORATED	
THIS DRAWING CONTAINS INFORMATION THAT IS PROPRIETARY TO MOLEX INCORPORATED AND SHOULD NOT BE USED WITHOUT WRITTEN PERMISSION	