

| CIRCUIT SIZE | DIMENSIONS | | | | |
|--------------|------------|--------|--------|--------|--------|
| | A±0.12 | B±0.12 | C±0.25 | D±0.25 | E±0.25 |
| 2 | 14.35 | 13.46 | 8.64 | 2.41 | 6.35 |
| 3 | 20.70 | 13.46 | 8.64 | 2.41 | 6.35 |
| 4 | 27.05 | 13.46 | 8.64 | 2.41 | 6.35 |
| 6 | 14.35 | 26.16 | 12.19 | 6.99 | 6.35 |
| 8 | 52.45 | 13.46 | 8.64 | 2.41 | 6.35 |
| 9 | 20.70 | 26.16 | 12.19 | 6.99 | 6.35 |
| 12 | 27.05 | 26.16 | 12.19 | 6.99 | 8.89 |
| 15 | 33.40 | 26.16 | 12.19 | 6.99 | 8.89 |

NOTES:

- 1) MATERIAL CODES:
 "A" = PA6/6, V-2
 COLOUR: NATURAL-TRANSLUCENT
 "C" = PA66/6, V-0
 COLOUR: NATURAL-OPAQUE
 "E" = NYLON PA66, 94V-2
 COLOUR- BLACK (ZYTEL 101F)
- 2) UNLESS OTHERWISE INDICATED, DIMENSIONS ARE FOR REFERENCE ONLY.
- 3) CAP HOUSINGS MATE WITH :
 - PLUG HOUSINGS, 2.13 DIA. SERIES: (42021-**)
- 4) HOUSINGS DESIGNED TO BE USED WITH TERMINALS:
 - PINS, 2.13 DIA. SERIES: (42023-****)
 - SOCKETS, 2.13 DIA. SERIES: (42024-****)
- 5) CONTACTS ARE ON 6.35 GRID CENTERLINE SPACING.
- 6) PANEL TO BE PUNCHED SO THAT THE HOUSING ENTERS THE PANEL OPPOSITE THE SIDE WITH THE BURR (I.E. OPPOSITE THE BREAK SIDE).
- 7) PRODUCT SPECIFICATION PS-42022-0001 APPLIES.
- 8) REFER DOCUMENT NO SD-36644-009 FOR GLOW WIRE COMPATIBLE PART NUMBERS.

▲ - CIRCUIT #1 LOCATION WHEN USING POLARIZING KEY OPTION WITH 2,3,4 AND 8 CIRCUIT HOUSINGS.
 ● OPTION WITH 6, 9, 12 AND 15 CIRCUIT HOUSINGS.

THIS DRAWING CONTAINS INFORMATION THAT IS PROPRIETARY TO MOLEX ELECTRONIC TECHNOLOGIES, LLC AND SHOULD NOT BE USED WITHOUT WRITTEN PERMISSION

| | | | |
|--|--------|------------------------------------|--------------|
| DIMENSION UNITS | SCALE | CURRENT REV DESC: MIGRATED TO ECTR | |
| MM | 2:1 | | |
| GENERAL TOLERANCES (UNLESS SPECIFIED) | | | |
| 4 PLACES | ± | EC NO: 178202 | |
| 3 PLACES | ± | DRWN: RLALSANGI | 2018/02/26 |
| 2 PLACES | ± 0.25 | CHK'D: NCSR | 2018/07/12 |
| 1 PLACE | ± 0.36 | APPR: NCSR | 2018/07/12 |
| 0 PLACES | ± | INITIAL REVISION: | |
| ANGULAR TOL | ± ° | DRWN: RK | 1987/11/15 |
| DRAFT WHERE APPLICABLE MUST REMAIN WITHIN DIMENSIONS | | APPR: GWF | 1987/11/15 |
| THIRD ANGLE PROJECTION | | DRAWING | SERIES |
| A2-SIZE | | 42022 | |
| MATERIAL NUMBER | | CUSTOMER | SHEET NUMBER |
| SEE TABLE OF SHEET 2 | | GENERAL MARKET | 1 OF 2 |

molex

HOUSING CAP
 .084/(2.13) DIA. SERIES

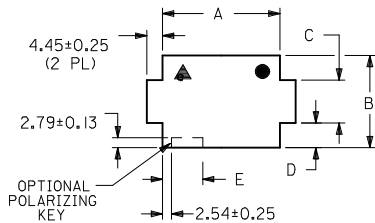
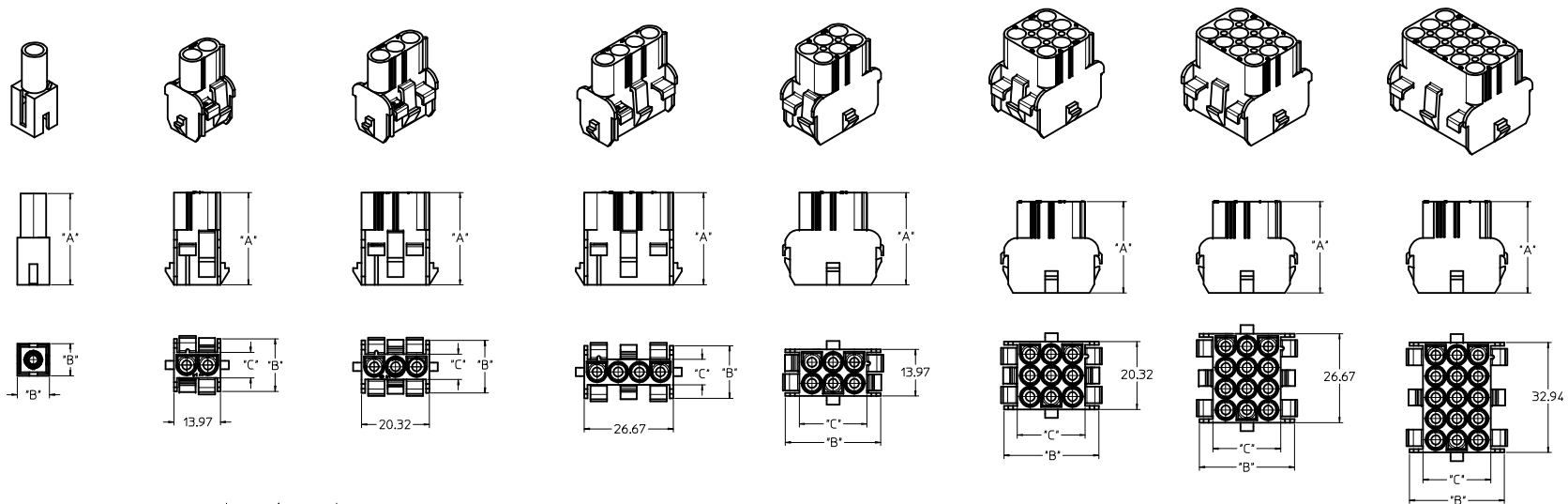
PRODUCT CUSTOMER DRAWING

| | | | |
|-----------------|----------|----------|----------|
| DOCUMENT NUMBER | DOC TYPE | DOC PART | REVISION |
| 420220000 | PSD | 000 | A |

| PART NO | CIRCUIT SIZE | MATERIAL (SEE NOTE 1) | DIM "A" | DIM "B" | DIM "C" |
|-------------|--------------|-----------------------|---------|---------|---------|
| 050-84-2010 | 1 | A | 27.70 | 9.65 | --- |
| 050-84-2012 | 1 | C | | | |
| 366480021 | 1 | E | | | |
| 050-84-2020 | 2 | A | 27.70 | 15.75 | 7.62 |
| 050-84-2022 | 2 | C | | | |
| 366480022 | 2 | E | | | |
| 050-84-2030 | 3 | A | 27.70 | 15.75 | 7.62 |
| 050-84-2032 | 3 | C | | | |
| 366480023 | 3 | E | | | |
| 050-84-2040 | 4 | A | 27.70 | 15.75 | 7.62 |
| 050-84-2042 | 4 | C | | | |
| 366480024 | 4 | E | | | |
| 050-84-2060 | 6 | A | 27.70 | 28.45 | 20.32 |
| 050-84-2062 | 6 | C | | | |
| 366480025 | 6 | E | | | |
| 050-84-2090 | 9 | A | 27.70 | 28.45 | 20.32 |
| 050-84-2092 | 9 | C | | | |
| 366480026 | 9 | E | | | |
| 050-84-2120 | 12 | A | 27.70 | 28.45 | 20.32 |
| 050-84-2122 | 12 | C | | | |
| 366480027 | 12 | E | | | |
| 050-84-2150 | 15 | A | 27.70 | 28.45 | 20.32 |
| 050-84-2152 | 15 | C | | | |
| 366480028 | 15 | E | | | |

| | | | | | | | | | |
|---|--|-------|--|------------------------------------|--|----------------|--|--|--|
| THIS DRAWING CONTAINS INFORMATION THAT IS PROPRIETARY TO MOLEX ELECTRONIC TECHNOLOGIES, LLC AND SHOULD NOT BE USED WITHOUT WRITTEN PERMISSION | | | | | | | | | |
| DIMENSION UNITS | | SCALE | | CURRENT REV DESC: MIGRATED TO ECTR | | | | molex | |
| MM | | 1:1 | | | | | | | |
| GENERAL TOLERANCES (UNLESS SPECIFIED) | | | | EC NO: 178202 | | | | HOUSING CAP .084/(2.13) DIA. SERIES | |
| | | | | DRWN: RLALSANGI 2018/02/26 | | | | | |
| 4 PLACES ± | | | | CHK'D: NCSR 2018/07/12 | | | | PRODUCT CUSTOMER DRAWING | |
| 3 PLACES ± | | | | APPR: NCSR 2018/07/12 | | | | | |
| 2 PLACES ± 0.25 | | | | INITIAL REVISION: | | | | DOCUMENT NUMBER | |
| 1 PLACE ± 0.36 | | | | DRWN: RK 1987/11/15 | | | | | |
| 0 PLACES ± | | | | APPR: GWF 1987/11/15 | | | | 420220000 | |
| ANGULAR TOL ± ° | | | | THIRD ANGLE PROJECTION | | DRAWING | | SERIES | |
| DRAFT WHERE APPLICABLE MUST REMAIN WITHIN DIMENSIONS | | | | | | A2-SIZE | | 42022 | |
| | | | | MATERIAL NUMBER | | CUSTOMER | | SHEET NUMBER | |
| | | | | SEE TABLE OF SHEET 2 | | GENERAL MARKET | | 2 OF 2 | |

| | | | |
|-----------------|----|--------------|---------------------|
| DOCUMENT STATUS | P1 | RELEASE DATE | 2018/07/12 07:32:08 |
|-----------------|----|--------------|---------------------|



RECOMMENDED PANEL CUTOUT

PANEL THICKNESS: 0.76-2.29
(SEE NOTE 6)

| CIRCUIT SIZE | DIMENSIONS | | | | |
|--------------|------------|--------|--------|--------|--------|
| | A±0.12 | B±0.12 | C±0.25 | D±0.25 | E±0.25 |
| 2 | 14.35 | 13.46 | 8.64 | 2.41 | 6.35 |
| 3 | 20.70 | 13.46 | 8.64 | 2.41 | 6.35 |
| 4 | 27.05 | 13.46 | 8.64 | 2.41 | 6.35 |
| 6 | 14.35 | 26.16 | 12.19 | 6.99 | 6.35 |
| 8 | 52.45 | 13.46 | 8.64 | 2.41 | 6.35 |
| 9 | 20.70 | 26.16 | 12.19 | 6.99 | 6.35 |
| 12 | 27.05 | 26.16 | 12.19 | 6.99 | 8.89 |
| 15 | 33.40 | 26.16 | 12.19 | 6.99 | 8.89 |

▲ - CIRCUIT #1 LOCATION WHEN USING POLARIZING KEY OPTION WITH 2, 3, 4 AND 8 CIRCUIT HOUSINGS.

● - OPTION WITH 6, 9, 12 AND 15 CIRCUIT HOUSINGS.

NOTES:

1) MATERIAL CODES:

- *A* = PA6/6, V-2
COLOUR: NATURAL-TRANSLUCENT
- *C* = PA66/6, V-0
COLOUR: NATURAL-OPAQUE
- *E* = NYLON PA66, 94V-2
COLOUR: BLACK (ZYTEL 101F)

2) UNLESS OTHERWISE INDICATED, DIMENSIONS ARE FOR REFERENCE ONLY.

3) CAP HOUSINGS MATE WITH :
- PLUG HOUSINGS, 2.13 DIA. SERIES: (4201-***)
(42021-***)

4) HOUSINGS DESIGNED TO BE USED WITH TERMINALS:
- PINS, 2.13 DIA. SERIES: (42023-****)
- SOCKETS, 2.13 DIA. SERIES: (42024-****)

5) CONTACTS ARE ON 6.35 GRID CENTERLINE SPACING.

6) PANEL TO BE PUNCHED SO THAT THE HOUSING ENTERS THE PANEL OPPOSITE THE SIDE WITH THE BURR (I.E. OPPOSITE THE BREAK SIDE).

7) PRODUCT SPECIFICATION PS-42022-0001 APPLIES.

8) REFER DOCUMENT NO SD-36644-009 FOR GLOW WIRE COMPATIBLE PART NUMBERS.

| | | | | | | | |
|--|-----------------|--|---|-------------|--|------------------------|--|
| NEWS UPDATED EC NO: Z096-005 IFC: 2012/01/11 IFC: 2012/01/11 APPROVED: 2012/01/11 APPROVED: 2012/01/11 | QUALITY SYMBOLS | GENERAL TOLERANCES (UNLESS SPECIFIED) | DIMENSION STYLE | SCALE | DESIGN UNITS | THIRD ANGLE PROJECTION | |
| | ▽=0 | mm INCH | MM ONLY | 2:1 | METRIC | | |
| | ▽=0 | 4 PLACES ± --- ± --- 3 PLACES ± --- ± --- 2 PLACES ± 0.25 ± --- 1 PLACE ± 0.36 ± --- 0 PLACE ± --- ± --- | DRAWN BY DATE RK 87/11/15 CHECKED BY DATE GWF 87/11/15 APPROVED BY DATE GWF 87/11/15 | TITLE | HOUSING CAP .084/(2.13) DIA. SERIES | | |
| | ▽=0 | ANGULAR ± --- ° DRAFT WHERE APPLICABLE MUST REMAIN WITHIN DIMENSIONS | MATERIAL NO. SD-42022-*** DOCUMENT NO. SD-42022-*** | SEE SHEET 2 | molex SHEET NO. 1 OF 2 | | |

| PART NO | CIRCUIT SIZE | MATERIAL (SEE NOTE 1) | DIM "A" | DIM "B" | DIM "C" |
|-------------|--------------|-----------------------|---------|---------|---------|
| 050-84-2010 | 1 | A | 27.70 | 9.65 | --- |
| 050-84-2012 | 1 | C | | | |
| 366480021 | 1 | E | | | |
| 050-84-2020 | 2 | A | 27.70 | 15.75 | 7.62 |
| 050-84-2022 | 2 | C | | | |
| 366480022 | 2 | E | | | |
| 050-84-2030 | 3 | A | 27.70 | 15.75 | 7.62 |
| 050-84-2032 | 3 | C | | | |
| 366480023 | 3 | E | | | |
| 050-84-2040 | 4 | A | 27.70 | 15.75 | 7.62 |
| 050-84-2042 | 4 | C | | | |
| 366480024 | 4 | E | | | |
| 050-84-2060 | 6 | A | 27.70 | 28.45 | 20.32 |
| 050-84-2062 | 6 | C | | | |
| 366480025 | 6 | E | | | |
| 050-84-2090 | 9 | A | 27.70 | 28.45 | 20.32 |
| 050-84-2092 | 9 | C | | | |
| 366480026 | 9 | E | | | |
| 050-84-2120 | 12 | A | 27.70 | 28.45 | 20.32 |
| 050-84-2122 | 12 | C | | | |
| 366480027 | 12 | E | | | |
| 050-84-2150 | 15 | A | 27.70 | 28.45 | 20.32 |
| 050-84-2152 | 15 | C | | | |
| 366480028 | 15 | E | | | |

| | | | | | | |
|---|--|--|-----------------|-------|--------------|---------------------------|
| SEE SHEET 1 EC IND: 2026-003 EC NO: 2026-003 EC DATE: 2017/08/02 EC BY: CHANG, RANWANG APPROVAL: 2017/09/07 | QUALITY SYMBOLS | GENERAL TOLERANCES (UNLESS SPECIFIED) | DIMENSION STYLE | SCALE | DESIGN UNITS | THIRD ANGLE PROJECTION |
| | ▽=0 | mm INCH | MM ONLY | | METRIC | |
| | ▽=0 | 4 PLACES ± --- ± --- | DRAWN BY DATE | | | |
| | ▽=0 | 3 PLACES ± --- ± --- | RV 87/11/15 | | | |
| | 2 PLACES ± 0.25 ± --- | CHECKED BY DATE | | | | TITLE |
| | 1 PLACE ± 0.36 ± --- | GW 87/11/15 | | | | HOUSING CAP |
| | 0 PLACE ± --- ± --- | APPROVED BY DATE | | | | .084/(2.13) DIA. SERIES |
| | ANGULAR ± --- ° | GW 87/11/15 | | | | molex |
| | DRAFT WHERE APPLICABLE MUST REMAIN WITHIN DIMENSIONS | MATERIAL NO. () | | | | DOCUMENT NO. SD-42022-*** |
| | | SEE CHART | | | | SHEET NO. 2 OF 2 |
| | | SIZE 1 THIS DRAWING CONTAINS INFORMATION THAT IS PROPRIETARY TO MOLEX INCORPORATED AND SHOULD NOT BE USED WITHOUT WRITTEN PERMISSION | | | | |