

1. 5025-**P , -**P 1 梱包仕様

1-1. 製品名称: MINI FIT CONN. 2POS.PLUG HSG.
 製品番号: 5025-**P
 5025-**P 1
 (**は極数を示す)

1-2. 標準梱包数

(1) 5025-**P

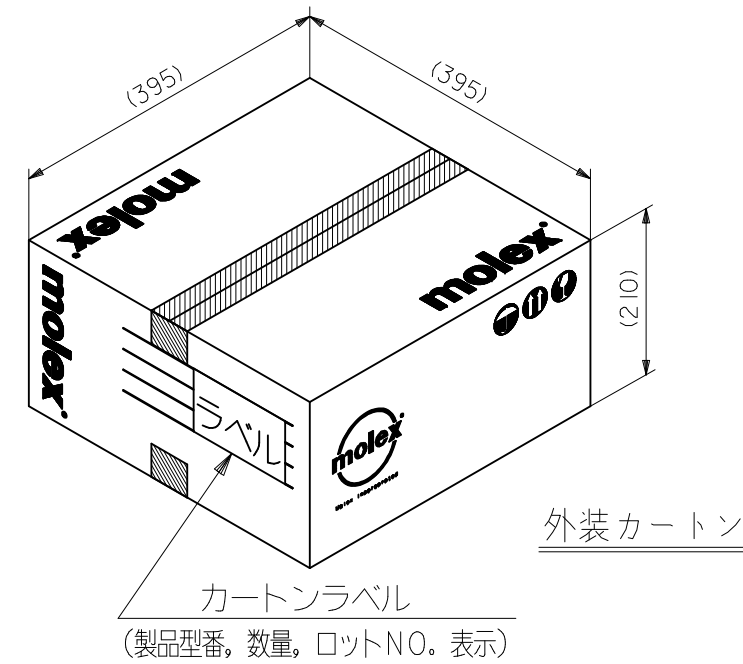
極数	ポリ袋	外装カートン	
	1袋中の製品数	カートン中の袋数	製品数
2	1,000	4	4,000
3	1,000	3	3,000
4	500	4	2,000
6	500	4	2,000
9	200	6	1,200
12	200	5	1,000

REMOVE 15 CKT EC NO: UCP2016-4790 DRWN:CSLAFTER 2016/06/14 CH'KD:MKIPPER 2016/06/15 APPR:FSMITH 2016/07/15 B	QUALITY SYMBOLS $F_A=0$ $F_C=0$ $F_E=0$	GENERAL TOLERANCES (UNLESS SPECIFIED)		DIMENSION STYLE MM ONLY		SCALE ---	DESIGN UNITS METRIC	THIRD ANGLE PROJECTION	
			mm	INCH	DRAWN BY CSLAFTER	DATE 2016/06/15	TITLE SALES PACKAGING SPEC. FOR 5025 (1/4)		
		4 PLACES	± ---	± ---	CHECKED BY T.HARUYAMA	DATE 2006/08/03	molex DOCUMENT NO. SPK-5025-001 SHEET NO. 1 OF 4		
		3 PLACES	± ---	± ---	APPROVED BY FSMITH	DATE 2016/07/15			
		2 PLACES	± ---	± ---	MATERIAL NO. SEE CHART		THIS DRAWING CONTAINS INFORMATION THAT IS PROPRIETARY TO MOLEX INCORPORATED AND SHOULD NOT BE USED WITHOUT WRITTEN PERMISSION		
1 PLACE	± ---	± ---	ANGULAR ± ---° DRAFT WHERE APPLICABLE MUST REMAIN WITHIN DIMENSIONS						
0 PLACE	± ---	± ---							

(2) 5025-**-P1

極数	ポリ袋	外装カートン	
	1袋中の製品数	カートン中の袋数	製品数
2	1,000	4	4,000
3	1,000	3	3,000
4	500	4	2,000
6	500	5	2,500
9	200	6	1,200
12	200	6	1,200

1-3. カートン外形参考寸法



SEE SHEET 1 EC NO: UCP2016-4790 DRWN: CSLAFTER 2016/06/14 CHKD: MKIPPER 2016/06/15 APPR: FSMITH 2016/07/15	QUALITY SYMBOLS $\nabla_A = 0$ $\nabla_F = 0$ $\nabla_E = 0$	GENERAL TOLERANCES (UNLESS SPECIFIED)		DIMENSION STYLE MM ONLY		SCALE ---	DESIGN UNITS METRIC	THIRD ANGLE PROJECTION		
			mm	INCH	DRAWN BY CSLAFTER	DATE 2016/06/15	TITLE SALES PACKAGING SPEC. FOR 5025 (1/4)			
		4 PLACES	± ---	± ---	CHECKED BY T. HARUYAMA	DATE 2006/08/03				
		3 PLACES	± ---	± ---	APPROVED BY FSMITH	DATE 2016/07/15	molex DOCUMENT NO. SPK-5025-001 SHEET NO. 2 OF 4			
2 PLACES	± ---	± ---	MATERIAL NO. SEE CHART							
1 PLACE	± ---	± ---	SIZE B		THIS DRAWING CONTAINS INFORMATION THAT IS PROPRIETARY TO MOLEX INCORPORATED AND SHOULD NOT BE USED WITHOUT WRITTEN PERMISSION					
0 PLACE	± ---	± ---	ANGULAR ± ---° DRAFT WHERE APPLICABLE MUST REMAIN WITHIN DIMENSIONS							

2. 5025-**R1 梱包仕様

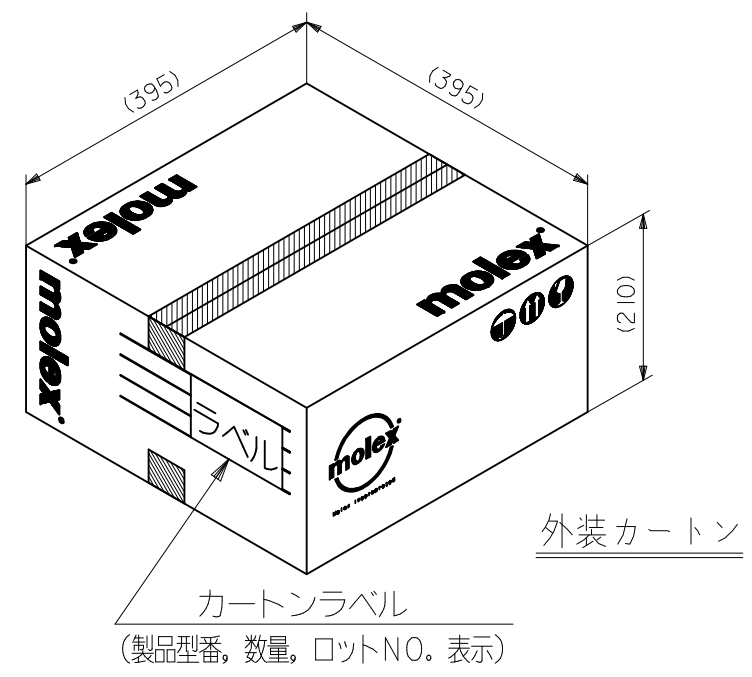
2-1. 製品名称 : MINI FIT CONN. 2POS. RECEPTACLE HSG.
 製品番号 : 5025-**R1
 (**は極数を示す)

2-2. 標準梱包数

極数	ポリ袋	外装カートン	
	1袋中の製品数	カートン中の袋数	製品数
2	1,000	7	7,000
3	1,000	3	3,000
4	500	6	3,000
6	500	6	3,000
9	200	9	1,800
12	200	6	1,200

SEE SHEET 1 EC NO: UCP2016-4790 DRWN: CSLAFTER 2016/06/14 CHKD: MKIPPER 2016/06/15 APPR: FSMITH 2016/07/15	DESCRIPTION REV	QUALITY SYMBOLS	GENERAL TOLERANCES (UNLESS SPECIFIED)		DIMENSION STYLE MM ONLY		SCALE ---	DESIGN UNITS METRIC	THIRD ANGLE PROJECTION	
		▽FA=0	mm	INCH	DRAWN BY CSLAFTER	DATE 2016/06/15	TITLE SALES PACKAGING SPEC. FOR 5025 (1/4)			
		▽FE=0	4 PLACES ± ---	± ---	CHECKED BY T. HARUYAMA	DATE 2006/08/03				
		▽FF=0	3 PLACES ± ---	± ---	APPROVED BY FSMITH	DATE 2016/07/15	MATERIAL NO. SEE CHART		DOCUMENT NO. SPK-5025-001	SHEET NO. 3 OF 4
ANGULAR ± ---° DRAFT WHERE APPLICABLE MUST REMAIN WITHIN DIMENSIONS			THIS DRAWING CONTAINS INFORMATION THAT IS PROPRIETARY TO MOLEX INCORPORATED AND SHOULD NOT BE USED WITHOUT WRITTEN PERMISSION							

2-3. カートン外形参考寸法



SEE SHEET 1 EC NO: UCP2016-4790 DRWN: CSLAFTER 2016/06/14 CHKD: MKIPPER 2016/06/15 APPR: FSMITH 2016/07/15	QUALITY SYMBOLS $\nabla_A = 0$ $\nabla_F = 0$ $\nabla_P = 0$	GENERAL TOLERANCES (UNLESS SPECIFIED)		DIMENSION STYLE MM ONLY		SCALE ---	DESIGN UNITS METRIC	THIRD ANGLE PROJECTION		
			mm	INCH	DRAWN BY CSLAFTER	DATE 2016/06/15	TITLE SALES PACKAGING SPEC. FOR 5025 (1/4)			
		4 PLACES	± ---	± ---	CHECKED BY T. HARUYAMA	DATE 2006/08/03				
		3 PLACES	± ---	± ---	APPROVED BY FSMITH	DATE 2016/07/15	molex DOCUMENT NO. SPK-5025-001 SHEET NO. 4 OF 4			
2 PLACES	± ---	± ---	MATERIAL NO. SEE CHART							
1 PLACE	± ---	± ---	ANGULAR ± ---°		THIS DRAWING CONTAINS INFORMATION THAT IS PROPRIETARY TO MOLEX INCORPORATED AND SHOULD NOT BE USED WITHOUT WRITTEN PERMISSION					
0 PLACE	± ---	± ---	DRAFT WHERE APPLICABLE MUST REMAIN WITHIN DIMENSIONS							