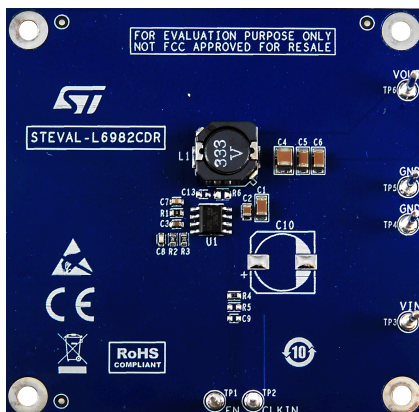


38 V, 2 A synchronous step-down switching regulator evaluation board based on the L6982CDR



Features

- 3.5 V to 38 V operating input voltage
- Programmable output voltage from 0.85 V to VIN
- 3.3 V and 5 V fixed output voltage versions
- 2 A DC output current
- Low operating quiescent current (LCM and fixed Vout part numbers)
- Internal compensation network
- Two different versions: LCM for high efficiency at light loads and LNM for noise sensitive applications
- 2 μ A shutdown current
- Internal soft-start
- Enable function
- Overvoltage protection
- Output voltage sequencing
- Thermal protection
- SO 8L package
- Synchronization with external clock for LNM devices

Description

The **STEVAL-L6982CDR** evaluation board is based on the **L6982CDR** synchronous monolithic step-down regulator capable of delivering up to 2 A DC to the load.

Its wide input voltage range makes the device suitable for a broad range of applications.

The device implements peak current mode architecture in an SO 8L package with internal compensation to minimize design complexity and size.

The **L6982** is available in low consumption mode version (LCM) as **L6982CDR** and low noise mode version (LNM) as **L6982NDR**.

LCM maximizes efficiency at light load with controlled output voltage ripple, making the device extremely suitable for battery-powered applications.

LNM makes the switching frequency constant and minimizes the output voltage ripple overload current range, meeting the specification for noise sensitive applications.

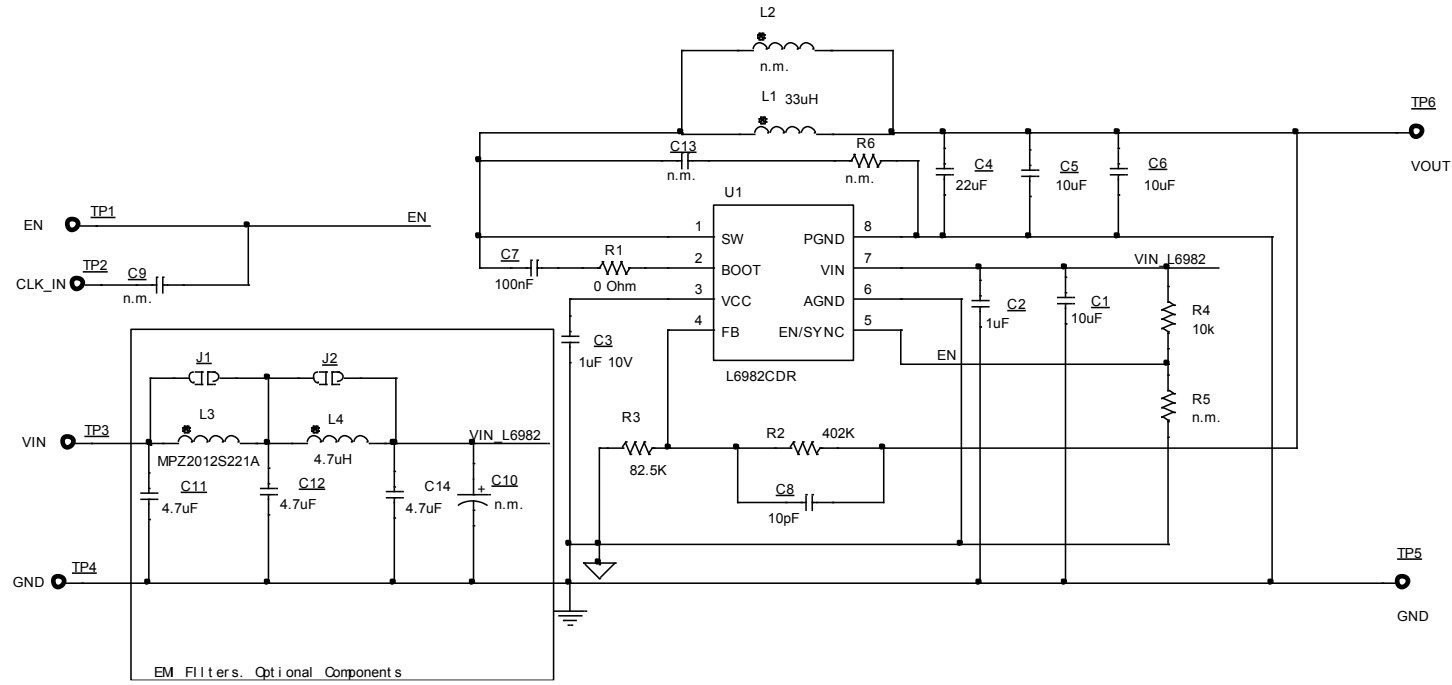
The EN pin manages the enable/disable function. The typical shutdown current is 2 μ A when disabled. When the EN pin is pulled up, the device is enabled and the internal 1.3 ms soft-start takes place.

Pulse-by-pulse current sensing on both power elements implements effective constant current protection while thermal shutdown prevents thermal run-away.

Product summary	
38 V, 2 A synchronous step-down switching regulator evaluation board based on the L6982CQTR (Low Noise Mode, Adjustable Vout)	STEVAL-L6982CDR
38 V, 2 A synchronous step-down converter with low quiescent current	L6982CDR
Applications	Power tools

1 Schematic diagrams

Figure 1. STEVAL-L6982CDR circuit schematic



Revision history

Table 1. Document revision history

Date	Revision	Changes
21-Jun-2021	1	Initial release.
16-Sep-2021	2	Updated schematic.

IMPORTANT NOTICE – PLEASE READ CAREFULLY

STMicroelectronics NV and its subsidiaries (“ST”) reserve the right to make changes, corrections, enhancements, modifications, and improvements to ST products and/or to this document at any time without notice. Purchasers should obtain the latest relevant information on ST products before placing orders. ST products are sold pursuant to ST’s terms and conditions of sale in place at the time of order acknowledgement.

Purchasers are solely responsible for the choice, selection, and use of ST products and ST assumes no liability for application assistance or the design of Purchasers’ products.

No license, express or implied, to any intellectual property right is granted by ST herein.

Resale of ST products with provisions different from the information set forth herein shall void any warranty granted by ST for such product.

ST and the ST logo are trademarks of ST. For additional information about ST trademarks, please refer to www.st.com/trademarks. All other product or service names are the property of their respective owners.

Information in this document supersedes and replaces information previously supplied in any prior versions of this document.

© 2021 STMicroelectronics – All rights reserved