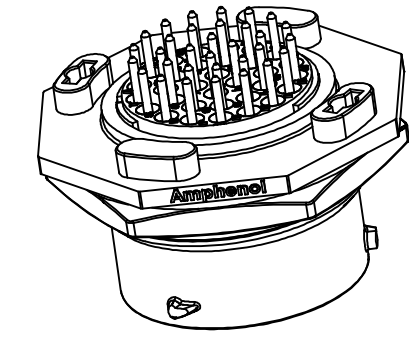
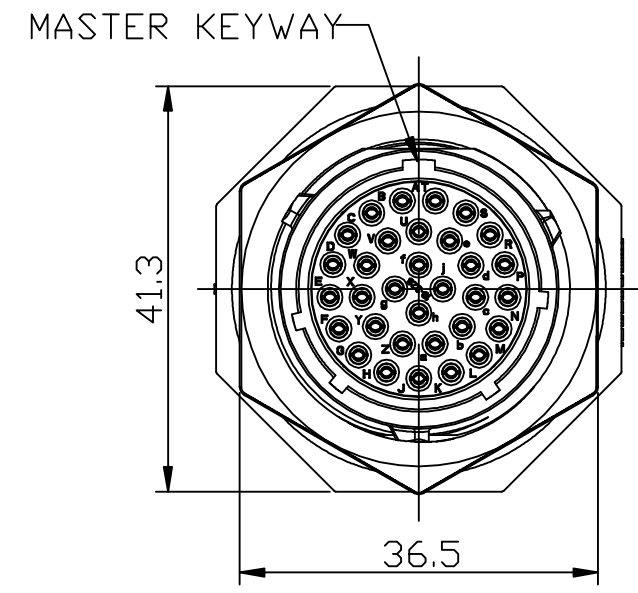
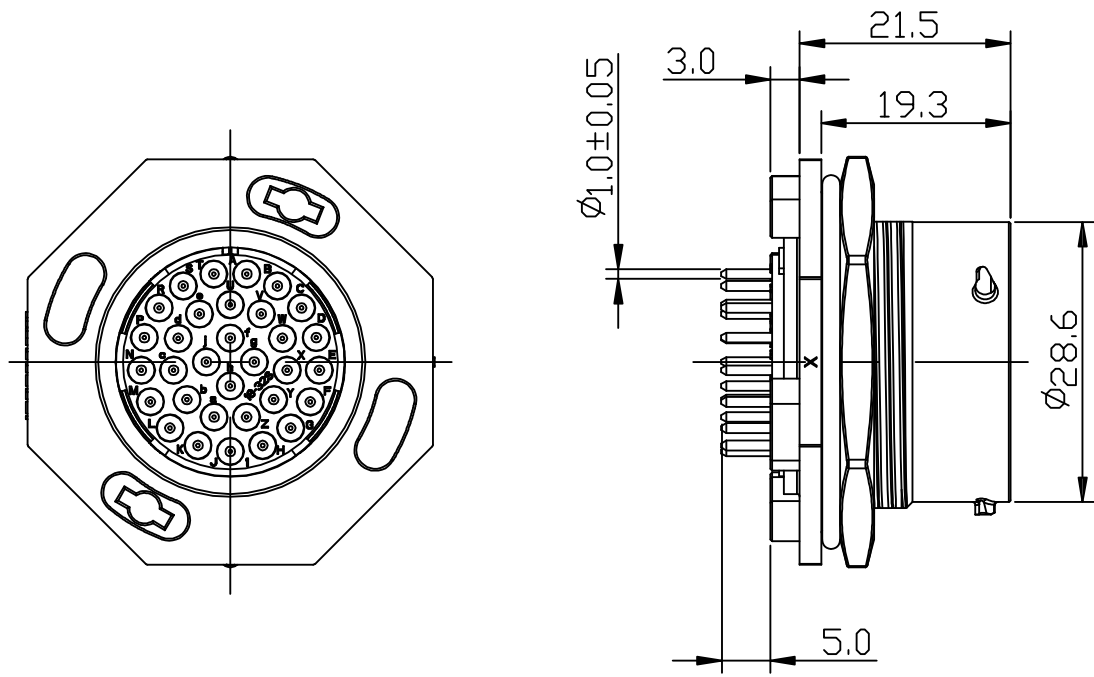


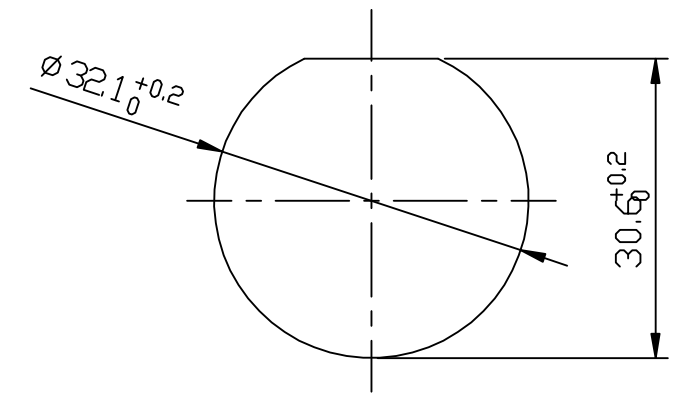
REVISIONS					
REV	ECO	DESCRIPTION	DATE	BY	APPR
A1	-	RELEASED DRAWING	Jul-26-2019	Ronald	Tommy



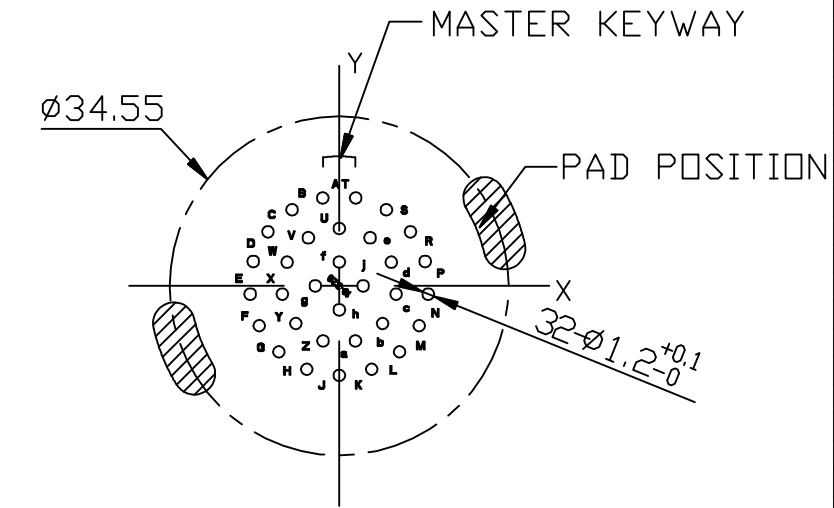
Position number	X	Y
A	-1.680	8.970
B	-4.800	7.750
C	-7.260	5.510
D	-8.760	2.490
E	-9.070	-0.840
F	-8.150	-4.060
G	-6.150	-6.730
H	-3.300	-8.500
J	0.000	-9.120
K	3.300	-8.500
L	6.150	-6.730
M	8.150	-4.060
N	9.070	-0.840
P	8.760	2.490
R	7.260	5.510
S	4.800	7.750
T	1.680	8.970
U	0.000	5.840
V	-3.150	4.900
W	-5.310	2.410
X	-5.790	-0.840
Y	-4.420	-3.830
Z	-1.650	-5.610
a	1.650	-5.610
b	4.420	-3.830
c	5.790	-0.840
d	5.310	2.410
e	3.150	4.900
f	0.000	2.440
g	-2.440	0.000
h	0.000	-2.440
j	2.440	0.000

NOTES: (UNLESS OTHERWISE SPECIFIED)

- MATERIAL:
 - SHELL: THERMOPLASTIC, UL94 V-0.
 - INSERT: THERMOPLASTIC, UL94 V-0.
 - O-RING: NBR/SILICONE RUBBER.
 - FIXED RUBBER: NBR.
 - SEAL GASKET: NBR/SILICONE RUBBER.
 - JAM NUT: ALUMINIUM ALLOY, BLACK ANODIZING.
 - CONTACT: COPPER ALLOY, GOLD PLATED
- SPECIFICATIONS:
 - 2.1 RATED CURRENT: 7.5A(MAX).
 - 2.2 RATED VOLTAGE: 250V(AC/DC).
 - 2.3 OPERATING TEMPERATURE: -40C - 125C.
 - 2.4 DIELECTRIC WITHSTANDING VOLTAGE: LESS THAN 2 MILLIAMPS CURRENT LEAKAGE@1500 VOLTS AC.
 - 2.5 INSULATION RESISTANCE: 5000 MEGOHMS MIN.
 - 2.6 IP--CLASS: IP67 AND IP69K IN THE MATED CONDITION.
 - 2.7 MATING CYCLES DURABILITY: 500 CYCLES MIN.
 - 2.8 RoHS COMPLIANT
- SUITABLE CONTACTS: 20# CONTACT.
- ALL DIMENSIONS ARE FOR REFERENCE USE ONLY.



RECOMMEND MOUNTING HOLE



RECOMMEND PCB LAYOUT

KEY	PART NUMBER
N	RTS718ND32S03
W	RTS718WD32S03
X	RTS718XD32S03
Y	RTS718YD32S03
Z	RTS718ZD32S03

QUANTITY	PART NUMBER	DESCRIPTION
MATERIALS LIST		
<p>UNLESS OTHERWISE SPECIFIED</p> <p>1) All dimensions are in metric(mm).</p> <p>2) Tolerances are as follows: 1 PL DEC ±0.30 2 PL DEC ±0.18 3 PL DEC ±0.08</p> <p>3) Note reference = Δ</p>		
<p>SIGNATURES</p> <p>DRAWN: Ronald DATE: Jul-26-2019</p> <p>CHECKED: Marin DATE: Jul-26-2019</p> <p>ENGINEER:</p> <p>APPROVAL: Tommy DATE: Jul-26-2019</p>		<p style="text-align: center;">Amphenol</p> <p>Sine Systems – www.amphenol-sine.com 44724 Morley Drive Clinton Township, MI 48036</p>
<p>MATERIAL SPECIFICATIONS:</p> <p>PROCESS SPECIFICATIONS:</p> <p>NEXT ASS'Y:</p>		
<p>THIS DRAWING IS SUPPLIED FOR INFORMATION ONLY. DESIGN FEATURES, SPECIFICATIONS AND PERFORMANCE DATA SHOWN HEREON ARE THE PROPERTY OF THE AMPHENOL CORPORATION. NO RIGHTS OF REPRODUCTION ARE IMPLIED. ALL DIMENSIONS ARE SUBJECT TO NORMAL MANUFACTURING VARIATIONS.</p>		<p>ECOMATE® AQUARIUS™, RECEPTACLE, JAM NUT, SIZE 18, 32POS, SOCKET, DIPSOLDER</p> <p>SIZE: B TYPE: C DWG NO: RTS718*D32S03 REF: A1</p> <p>SCALE: NONE SHEET 1 OF 1</p>

TITLE: RECEPTACLE, JAM NUT, 32 POS, SOCKET, DIPSOLDER, SIZE 18
 DWG NO: RTS718D32S03
 REV: A1
 SH: 1
 OF: 1