

MK-101-NPT-WG

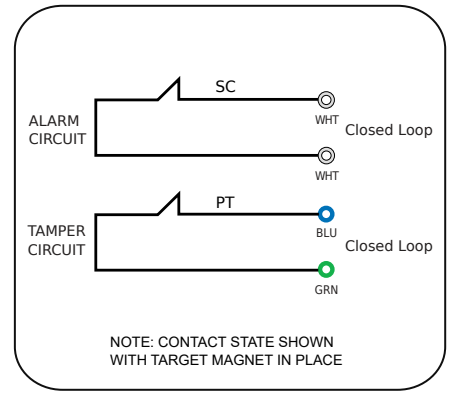
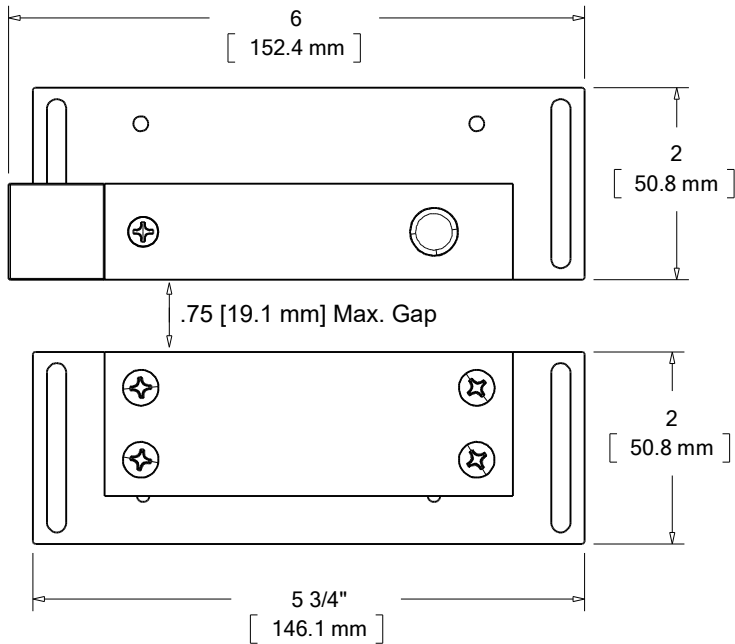
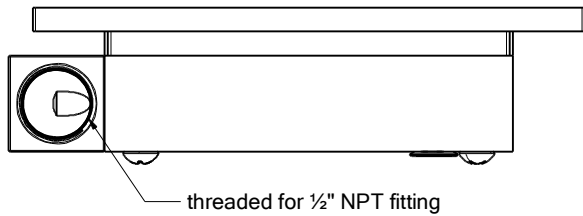
Provided by Manufacturer (per module set)

- 1x High Security contact module with 1/2" NPT conduit mount fitting (one closed loop alarm contact, closed loop tamper circuit) with 1x 1/4" spacer and 1x adapter bracket
- 1x extended reach magnet module with 1x 1/4" spacer and 1x adapter bracket

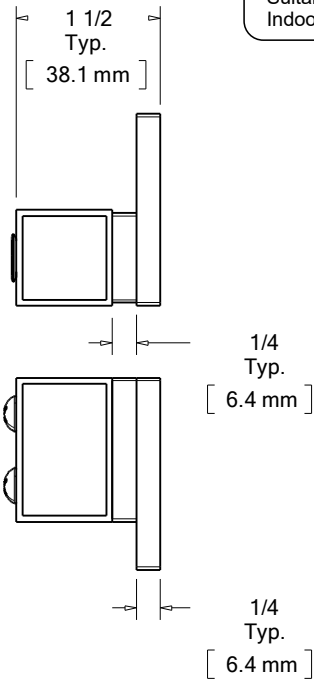
Notes:

1. module set pre-mounted on spacers and adapter brackets
2. installation hardware not included

Overall Dimensions:



SPECIFICATIONS PER CIRCUIT:
 MAXIMUM RATINGS:
 250 mA
 30 VDC RESISTIVE
 0.25 W
 Suitable for Outdoor or Indoor Use



2800 Adapter Plate Dimensions:

