

K- & Ka-Band High Power Reflective SPDT PIN Switch Die

20 - 40 GHz



MASW-011144-DIE

Rev. V3

Features

- Broadband Performance, 20 - 40 GHz
- Low Loss: <1 dB, 30 - 40 GHz
- High Isolation: >30 dB, 20 - 40 GHz
- 40 dBm CW Power @ 35 GHz
- Die with G-S-G RF Pads and DC Bias Pads
- Includes DC blocking Capacitor at each RF input and Bias Low Pass filters with Series Resistor
- RoHS* Compliant

Applications

- K- and Ka-Band applications, including point-to-point radio and military products.

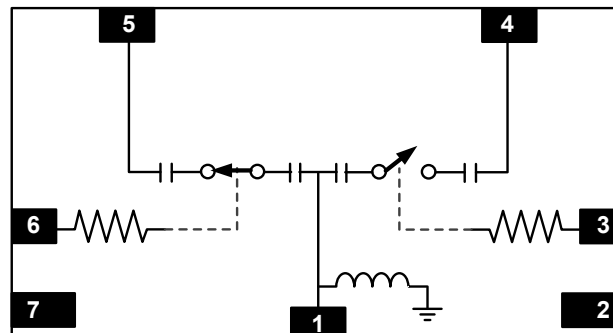
Description

The MASW-011144-DIE is a high power SPDT, reflective, broadband, high linearity, Aluminum Gallium Arsenide (AlGaAs) PIN diode switch for K- and Ka-Band applications, including point-to-point radio and military products.

The switch utilizes one shunt PIN diode per RF channel. The diode is controlled through an on-chip bias network that includes a current limiting resistor. These bias networks simplify the control of the switch; no external components are required.

The SPDT MMIC utilizes MACOM's proven AlGaAs PIN diode technology. The switch is fully passivated with silicon nitride and has an added polymer layer for scratch protection. The protective coating prevents damage to the junctions and the anode air-bridges during handling and assembly. The die has backside metallization to facilitate an epoxy die attach process.

Functional Schematic



Pad Configuration¹

Pad #	Function
1	RF Common
2	No Connection
3	BIAS1
4	RF1
5	RF2
6	BIAS2
7	No Connection

1. The die backside must be connected to RF, DC and thermal ground.

Ordering Information

Part Number	Package
MASW-011144-DIE	Die in Gel Pack

* Restrictions on Hazardous Substances, compliant to current RoHS EU directive.

K- & Ka-Band High Power Reflective SPDT PIN Switch Die

20 - 40 GHz



MASW-011144-DIE

Rev. V3

Electrical Specifications: $T_A = +25^\circ\text{C}$, $Z_0 = 50 \Omega$, $V_F = 4.5 \text{ V}$ / $V_R = -9 \text{ V}$, $P_{IN} = 0 \text{ dBm}$

Parameter	Conditions	Units	Min.	Typ.	Max.
Insertion Loss	26 GHz	dB	—	0.90	—
	32 GHz			0.65	1.0
	34 GHz			0.65	0.9
	38 GHz			0.75	1.1
Insertion Loss	34 GHz, $P_{IN} = 30 \text{ dBm}$	dB	—	0.65	—
Isolation	26 GHz	dB	—	30	—
	32 GHz		—		
	34 GHz		25		
	38 GHz		—		
Input Return Loss	34 GHz	dB	14.5	22	—
Output Return Loss	34 GHz	dB	14.0	20	—
CW Input Power ²	-9 V @ 85°C, 29 GHz	dBm	—	39.0	—
	-25 V @ 85°C, 29 GHz			41.2	
Switching Speed	10 dBm, 10 - 90% RF, 500 μs pulse, 26.5 GHz	ns	—	40	—
0.1 dB Compression Point	-9 V @ 85°C, 29 GHz	dBm	—	34	—
	-25 V @ 85°C, 29 GHz			40	
Forward Current	$V_F = 4.5 \text{ V}$	mA	6.0	8.5	11.0

2. Reverse bias voltage should be determined based on working conditions. For example, -25 V @ 40 dBm input power. For lower power applications, a less negative voltage can be used.

Absolute Maximum Ratings

Parameter	Absolute Maximum
T_x Incident CW Power	42 dBm @ 29 GHz
Reverse DC Bias Voltage	-50 V
Forward Bias Current	15 mA
Junction Temperature	+150°C
Operating Temperature	-55°C to +85°C
Storage Temperature	-65°C to +150°C

Handling Procedures

Please observe the following precautions to avoid damage:

Static Sensitivity

These electronic devices are sensitive to electrostatic discharge (ESD) and can be damaged by static electricity. Proper ESD control techniques should be used when handling these HBM class 1A devices.

K- & Ka-Band High Power Reflective SPDT PIN Switch Die

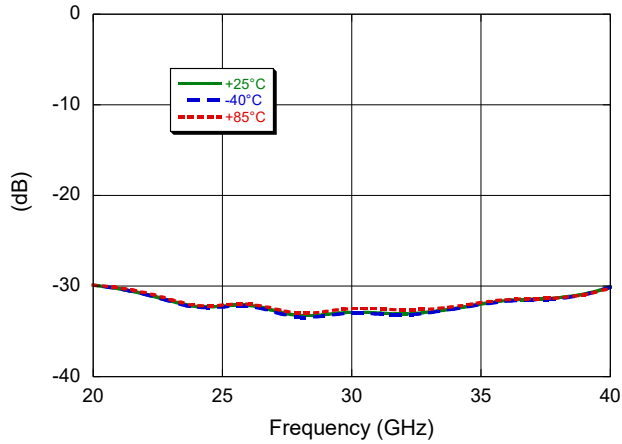
20 - 40 GHz



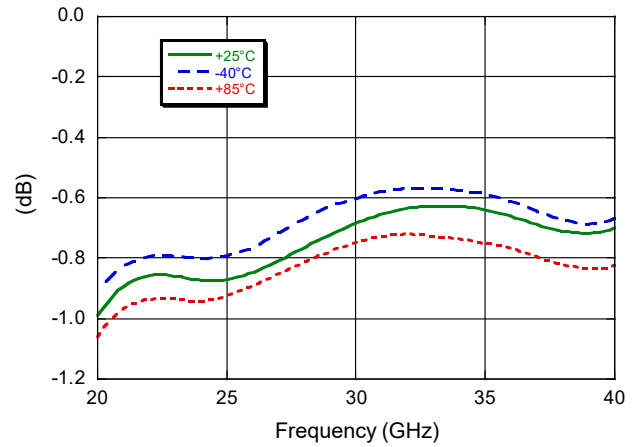
MASW-011144-DIE
Rev. V3

Typical Performance Curves: $V_R = -9$ V

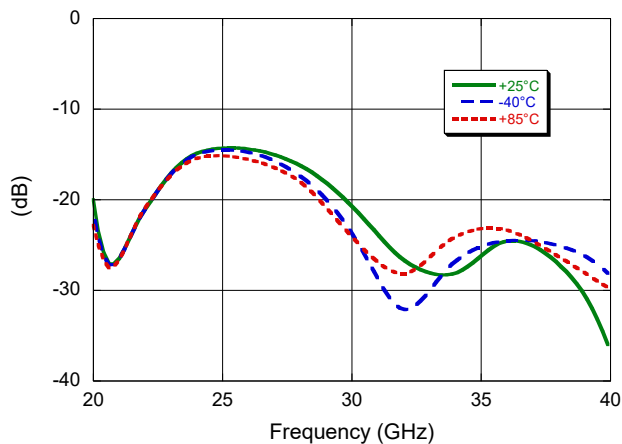
Isolation over Temperature



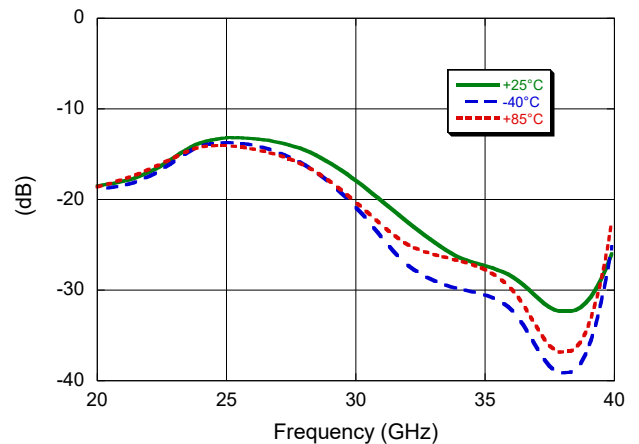
Insertion Loss over Temperature



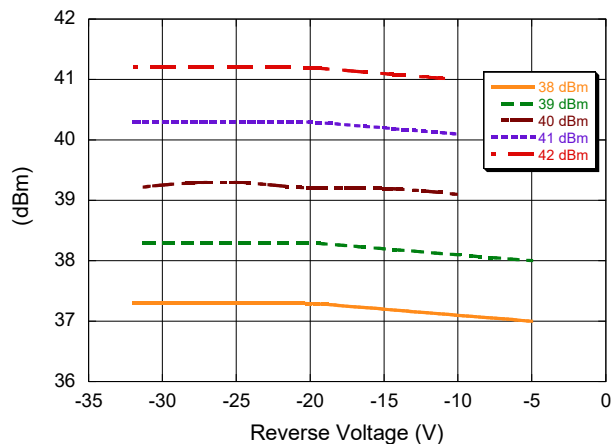
RF1, RF2 Return Loss over Temperature



Common Return Loss over Temperature



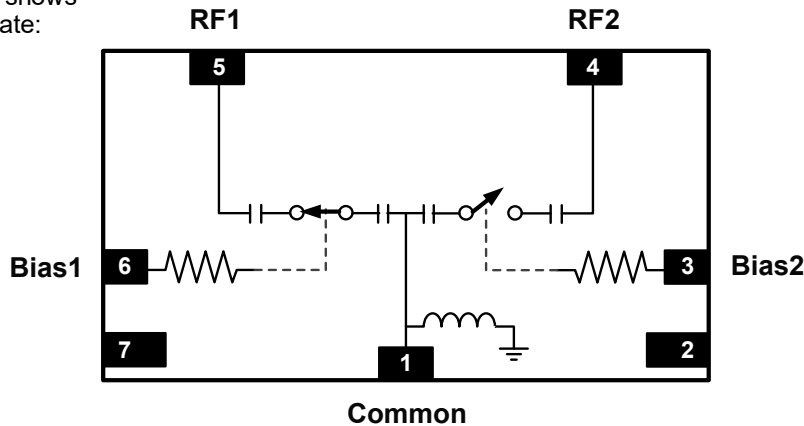
Output Power over Reverse Bias Voltage @ +85°C, 29 GHz



Bias Diagrams & Tables

Functional Diagram

The Functional Diagram shows the switch in following state:
RF1 - Low Loss
RF2 - Isolation



Truth Table

Pin	Bias 1	Bias 2
	Pin 3	Pin 6
RF1 - Low Loss RF2 - Isolation	$V_R = -9\text{ V}$	$V_F = 4.5\text{ V}^3$
RF2 - Low Loss RF1 - Isolation	$V_F = 4.5\text{ V}^3$	$V_R = -9\text{ V}$

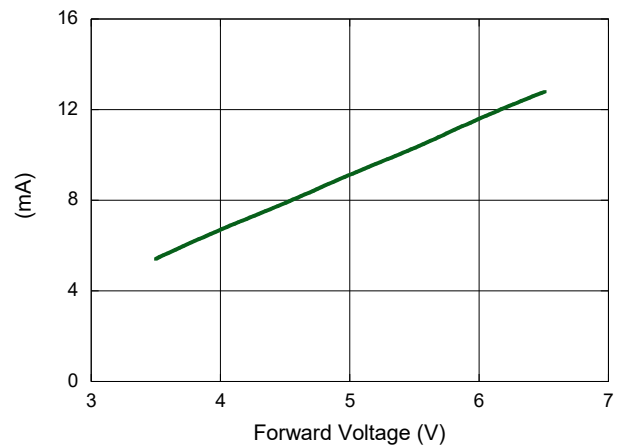
3. Internal bias resistors (400 Ω) control the forward bias current (I_F).

Bias Control

Optimal operation is achieved by simultaneous application of negative V_R voltage to the low loss switch path and positive V_F voltage to the isolating switch path.

In the low loss path, the diodes are reverse biased. In the isolating path, the diodes are forward biased.

Forward Bias Current over Forward Bias Voltage

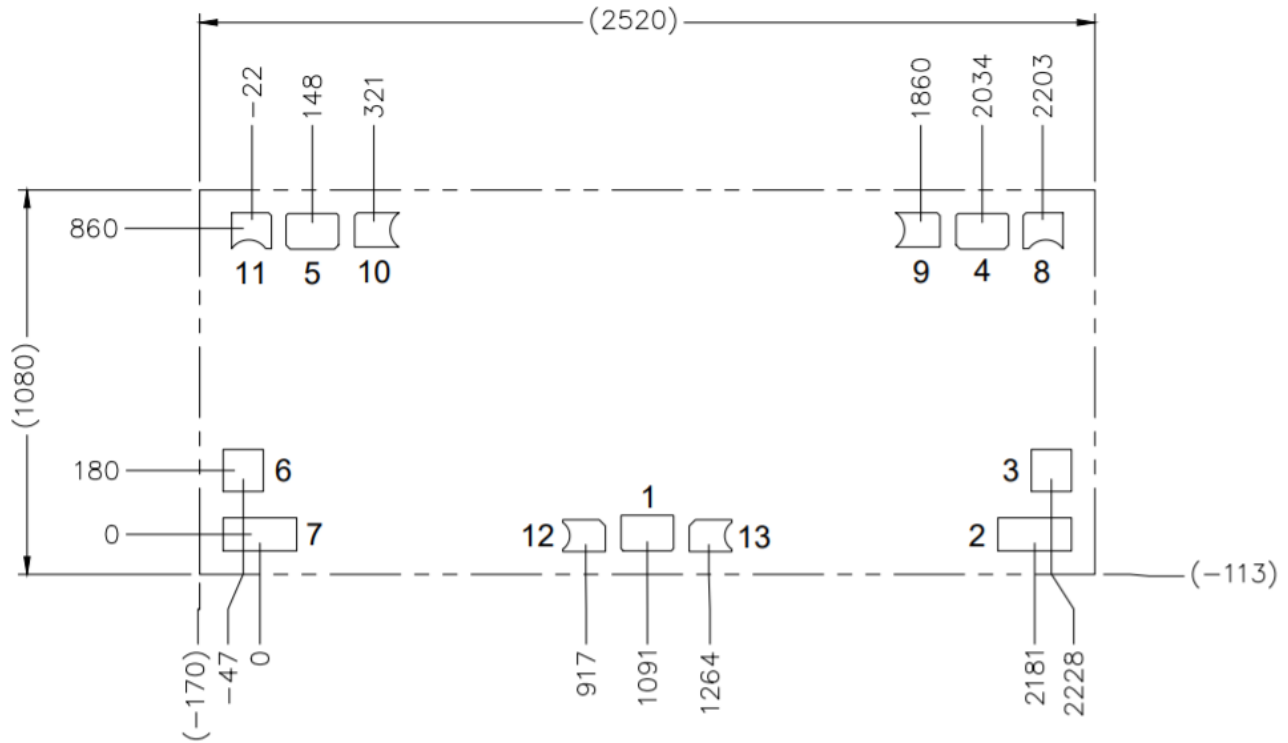


K- & Ka-Band High Power Reflective SPDT PIN Switch Die 20 - 40 GHz



MASW-011144-DIE
Rev. V3

Outline Drawing



Dimensions indicated in μm .
 Chip Thickness: 100 μm
 RF Pads (1,4,5): 110 x 148 μm
 DC Bias Pads (3 & 6): 113 x 118 μm
 DC Pads (2 & 7): 93 x 207 μm

MACOM Technology Solutions Inc. ("MACOM"). All rights reserved.

These materials are provided in connection with MACOM's products as a service to its customers and may be used for informational purposes only. Except as provided in its Terms and Conditions of Sale or any separate agreement, MACOM assumes no liability or responsibility whatsoever, including for (i) errors or omissions in these materials; (ii) failure to update these materials; or (iii) conflicts or incompatibilities arising from future changes to specifications and product descriptions, which MACOM may make at any time, without notice. These materials grant no license, express or implied, to any intellectual property rights.

THESE MATERIALS ARE PROVIDED "AS IS" WITH NO WARRANTY OR LIABILITY, EXPRESS OR IMPLIED, RELATING TO SALE AND/OR USE OF MACOM PRODUCTS INCLUDING FITNESS FOR A PARTICULAR PURPOSE, MERCHANTABILITY, INFRINGEMENT OF INTELLECTUAL PROPERTY RIGHT, ACCURACY OR COMPLETENESS, OR SPECIAL, INDIRECT, INCIDENTAL, OR CONSEQUENTIAL DAMAGES WHICH MAY RESULT FROM USE OF THESE MATERIALS.

MACOM products are not intended for use in medical, lifesaving or life sustaining applications. MACOM customers using or selling MACOM products for use in such applications do so at their own risk and agree to fully indemnify MACOM for any damages resulting from such improper use or sale.