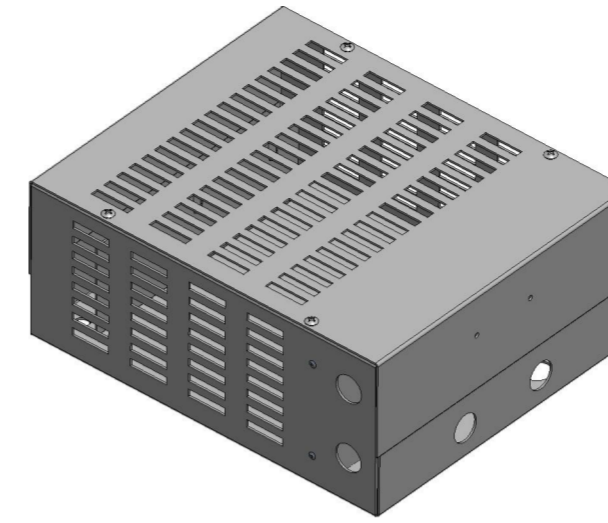
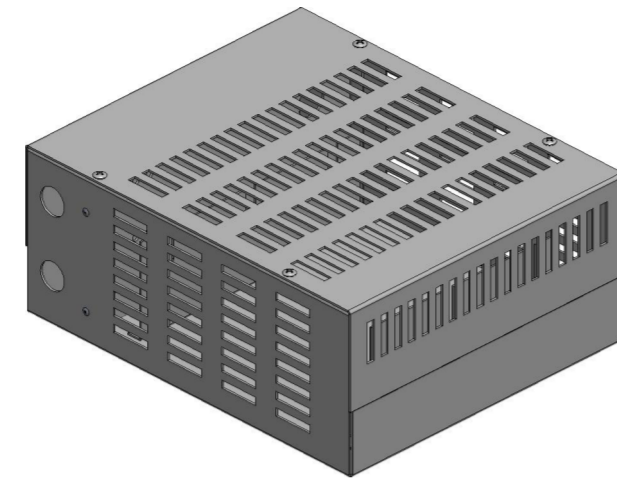
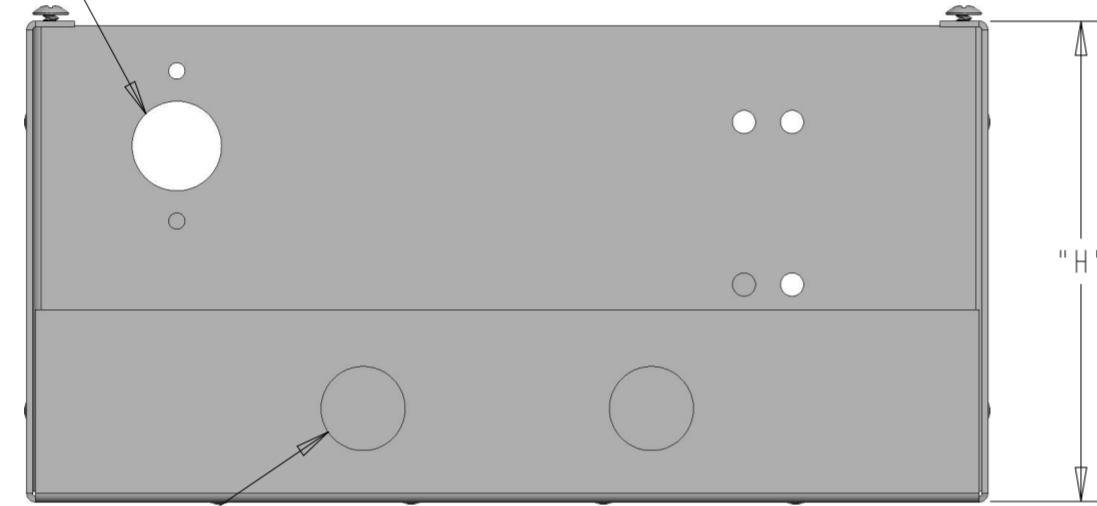


P	LTR	DESCRIPTION	DATE	DWN	APVD
	A	INITIAL RELEASE	07OCT2021	KS	AP



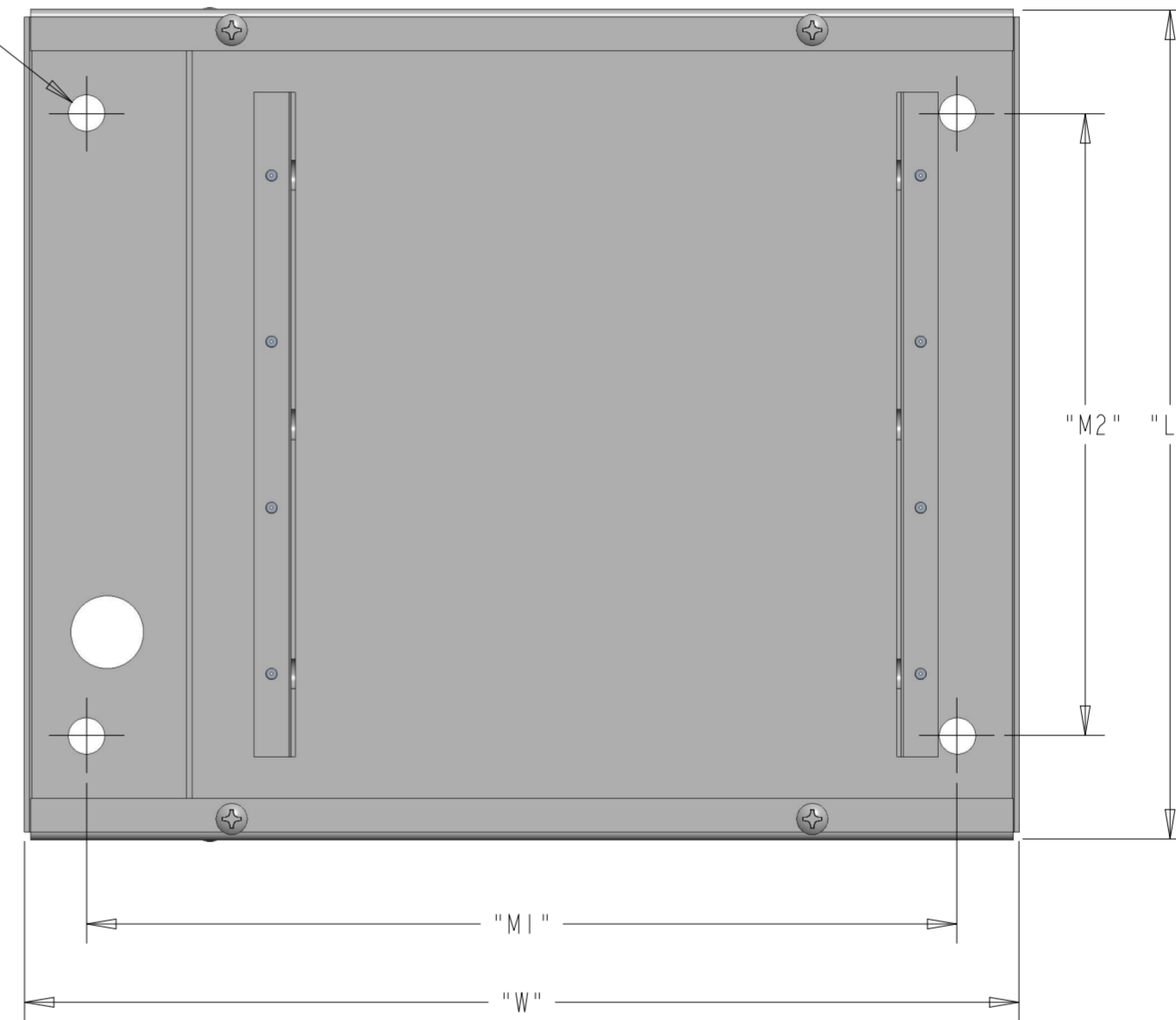
SCALE 1:5

TEMPERATURE SENSOR (OPTIONAL)




(x4) Ø11.125  
(MOUNTING HOLES)

(x7) Ø22.225 (KNOCKOUTS)  
[ONE LOCATED ON BOTTOM  
2 ON LEFT AND RIGHT SIDE]



PART NUMBER	W (mm)	L (mm)	H (mm)	M1 (mm)	M2 (mm)	TOTAL RESISTANCE	H.P.	DUTY CYCLE	DRIVE VOLTAGE	BRAKING TORQUE
HPBA015C500R050E	305	254	127	267	191	500 Ohms ± 10%	1.50	50%	460 V	100%

NOTE:  
1. FOR FURTHER TECHNICAL INFORMATION PLEASE SEE THE DATASHEET FOR THE HPBA SERIES

THIS DRAWING IS A CONTROLLED DOCUMENT.		DWN S. KARTHIK 17-09-2021	 TE Connectivity	
DIMENSIONS: mm		CHK ALLAN PILE 17-09-2021		
TOLERANCES UNLESS OTHERWISE SPECIFIED:		APVD ALLAN PILE 17-09-2021	NAME BRAKING RESISTOR ASSEMBLY TYPE HPBA SERIES HPBA015C500R050E	
0 PLC ± 1 PLC ± 2 PLC ±0.50 3 PLC ±0.500 4 PLC ± ANGLES ± FINISH -		PRODUCT SPEC -	RESTRICTED TO -	
MATERIAL -		APPLICATION SPEC -	SIZE A2	CAGE CODE 00779
		WEIGHT -	DRAWING NO C-2-2176470-4	
		CUSTOMER DRAWING	SCALE 1:2	SHEET 1 OF 2
			REV A	

4

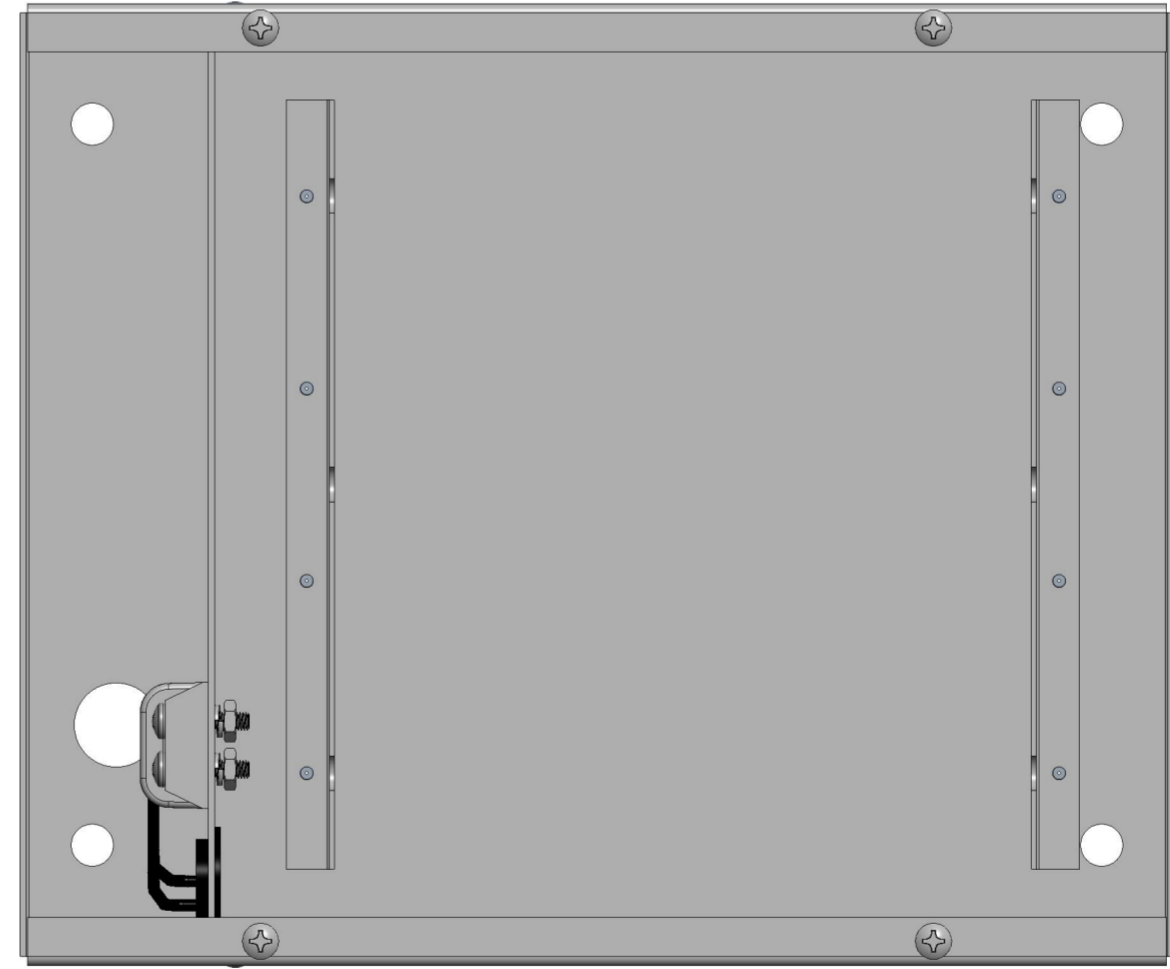
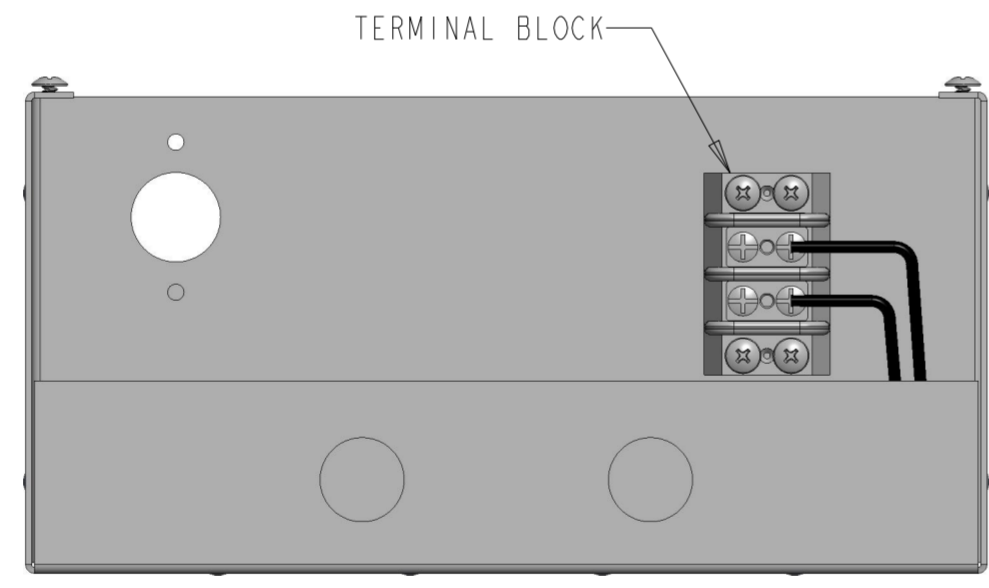
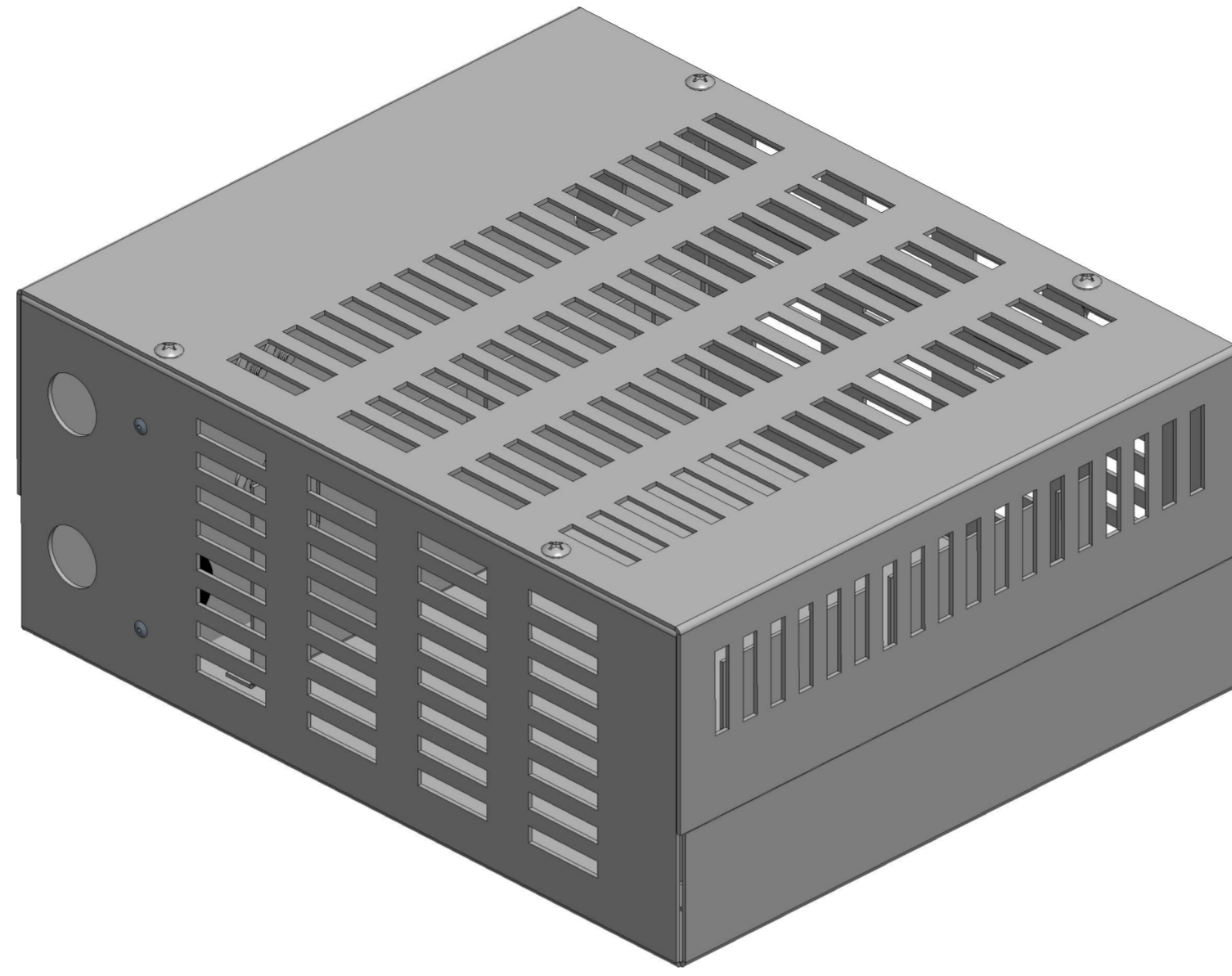
3


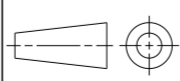
2

1

© 2021 TE Connectivity. All Rights Reserved.

REVISIONS					
P	LTR	DESCRIPTION	DATE	DWN	APVD
-		SEE SHEET 1	-	-	-



THIS DRAWING IS A CONTROLLED DOCUMENT.		DWN S. KARTHIK 17-09-2021	 TE Connectivity		
DIMENSIONS: mm		CHK ALLAN PILE 17-09-2021			
TOLERANCES UNLESS OTHERWISE SPECIFIED:		APVD ALLAN PILE 17-09-2021	NAME BRAKING RESISTOR ASSEMBLY TYPE HPBA SERIES HPBA015C500R050E		
		PRODUCT SPEC	SIZE		
0 PLC ±-		APPLICATION SPEC	CAGE CODE	DRAWING NO	RESTRICTED TO
1 PLC ±-		WEIGHT	A2	00779	-
2 PLC ±0.50		CUSTOMER DRAWING	C-2-2176470-4		
3 PLC ±0.500		SCALE	1:2	SHEET	2 OF 2
4 PLC ±-				REV	A
ANGLES ±-					
FINISH					