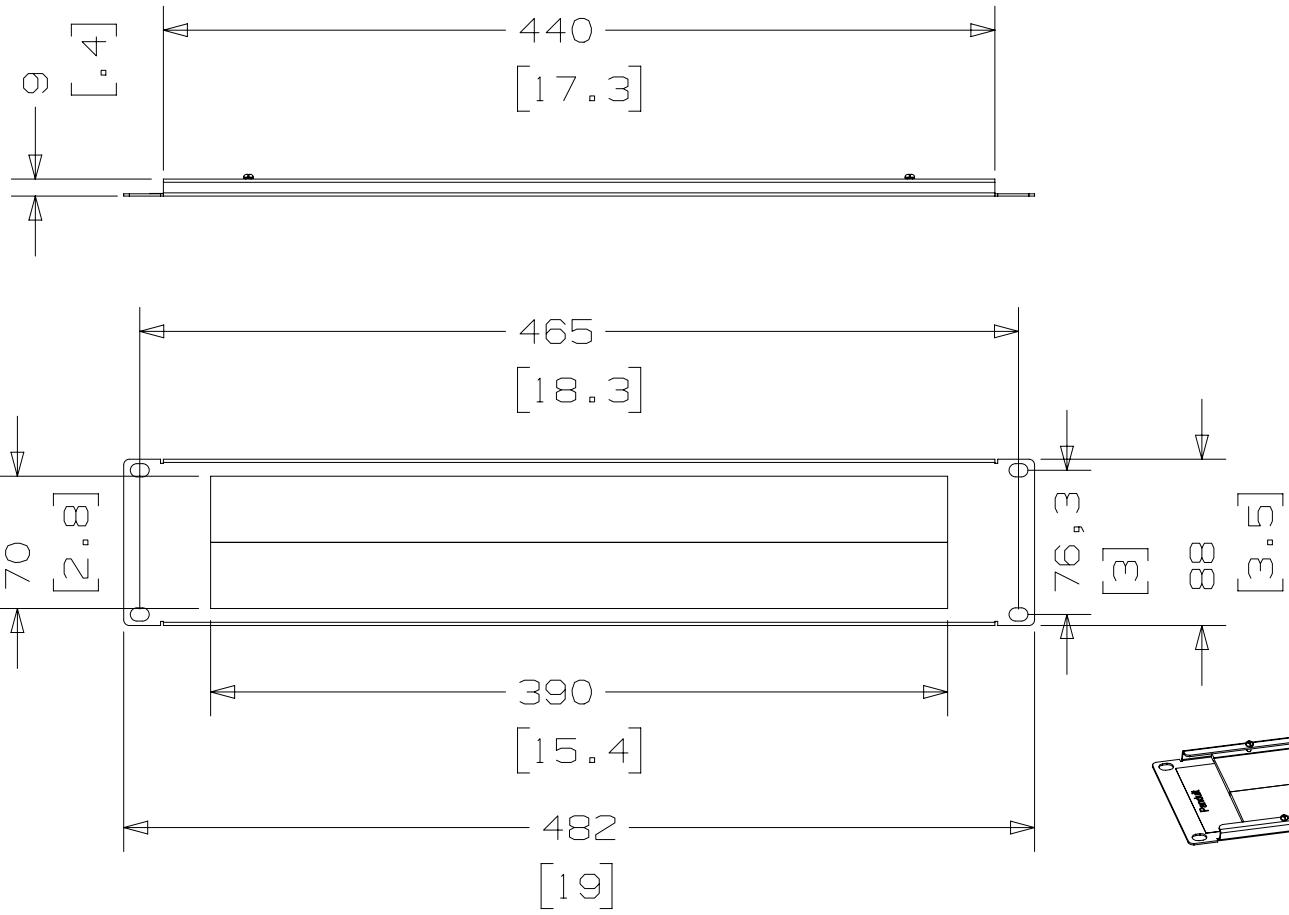
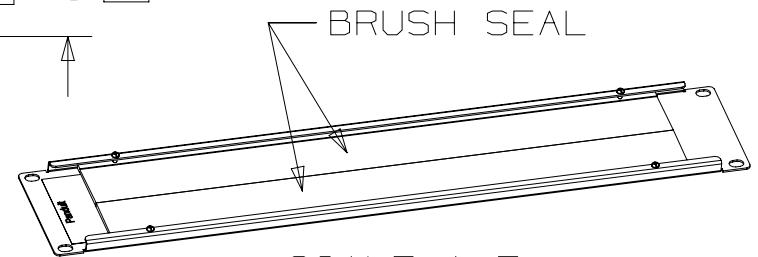


THIS COPY IS PROVIDED ON A RESTRICTED BASIS AND IS NOT TO BE USED IN ANY WAY DETRIMENTAL TO THE INTERESTS OF PANDUIT CORP.



- NOTES:
- VISIT OUR ON-LINE CATALOG AT [WWW.PANDUIT.COM](http://WWW.PANDUIT.COM) FOR A LIST OF CURRENT PARTS APPLICABLE FOR USE WITH THIS PRODUCT.
  - PRIMARY DIMENSIONS ARE MILLIMETERS (IN).
  - PARTS SUPPLIED:
    - (1) - BLANKING PANEL WITH BRUSH SEAL
    - (4) - M6 X1X12MM PHILLIPS HEAD SCREW
    - (4) - M6 X1MM CAGE NUT
    - (4) - #12-24 X 1/2" SCREW
  - COLOR:BLACK
  - THE BRUSHES ARE UL94-V0 RATED

PANDUIT P/N	WEIGHT
BR2B	0.5 Kg/EACH 1.1 LBS/EACH



SCALE 1:5  
BACK SIDE VIEW

REV	DATE	BY	CHK	APR	DESCRIPTION	ECN
01A	04/10/18	LLK	EWSA		DRAWING REVISED	00132EAB/01
00A	01/30/18	LLK	MWH		RELEASED TO PRODUCTION	00132EAB/00

TITLE <b>19" 2 RU Brush Seal Blank Panel with Front to Back Cable Passthrough</b>		<b>PANDUIT</b>
CUSTOMER DRAWING		
ITEM REVISION NAME 00132EAB/01	DATASET FILE NAME 00132EAB_DC/01A	
MATERIAL: N/A		DRAWING NUMBER: 00132EAB-DC
THIRD ANGLE PROJECTION	SCALE 1:4	SHT 1 OF 1
DRAWN BY CHN-LLK	DATE 2018 Jan 30	CHK MWH
SIZE A		

D10100DA/16