



Electrical specifications

Center Frequency: 1656.8 MHz
1.5 dB bandwidth: 20 MHz min
Insertion loss in PB: 2.5 dB max
Return loss: 15 dB min
Rejection 1: 50 dBc@ 1578 MHz
Rejection 2: 50 dBc@ 1736 MHz
Impedance: 50 Ohms In/Out
Power Handling:

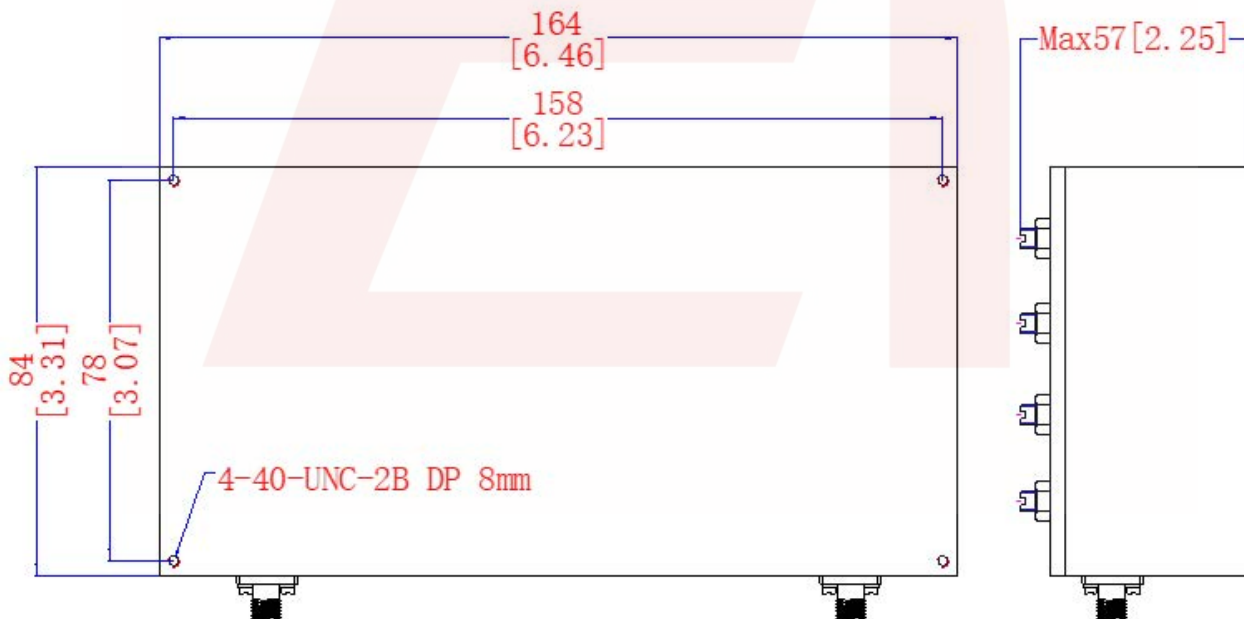
Mechanical

Mounting Method: Threaded Mounting Holes
Connector Type: SMA Female
Dimensions: 6.46 x 3.31 x 2.25 in

Environmental

Operating Temperature: -45 to +85° C
Storage Temperature: -55 to +95° C
Shock: 20 G. 11ms
Vibration: 20 G. 5 to 200 Hz

Outline Drawing:





Plot:

