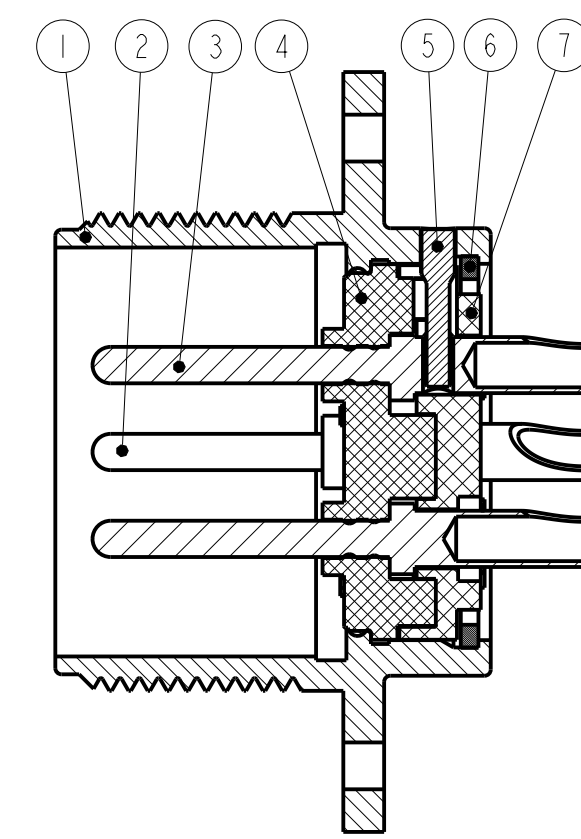
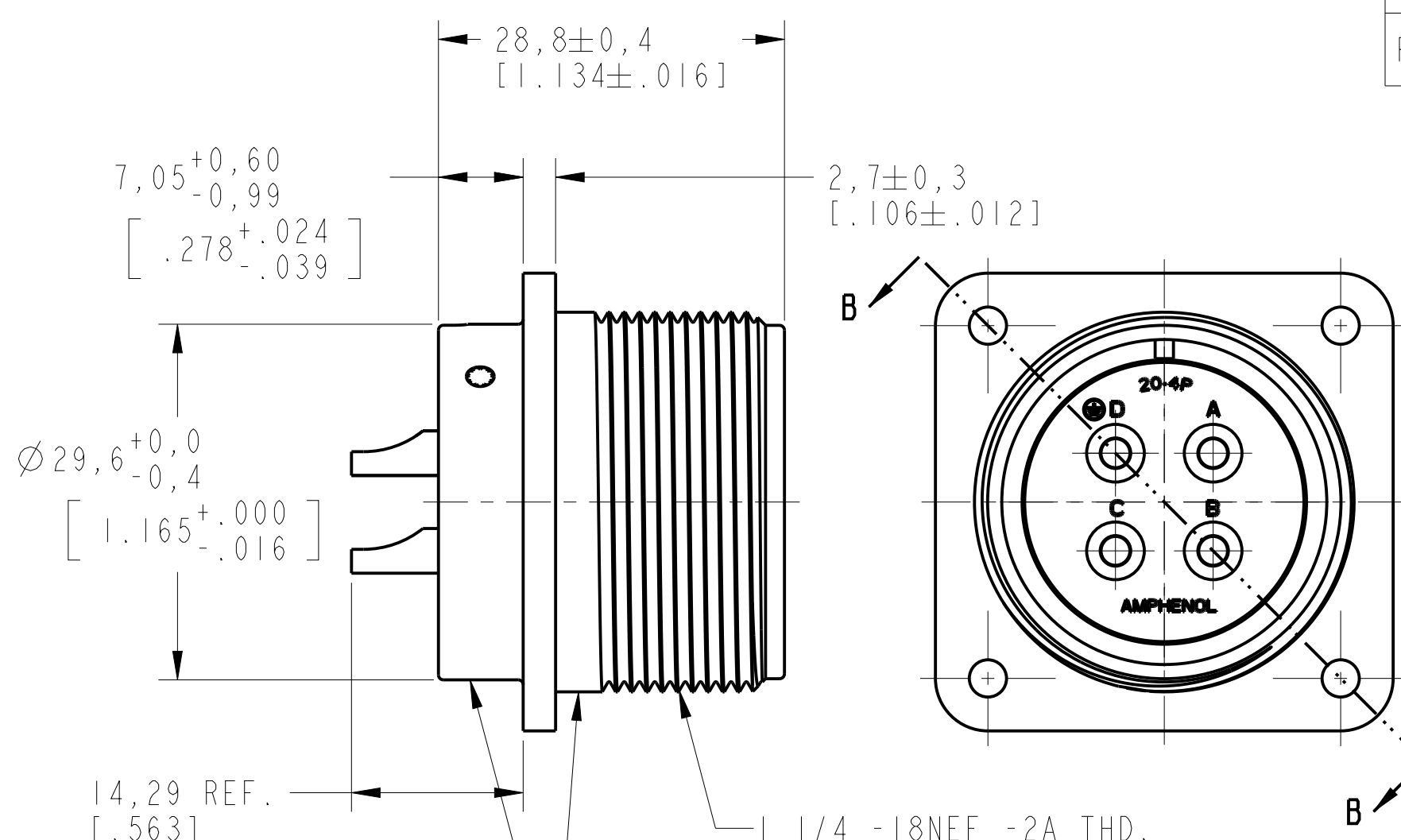
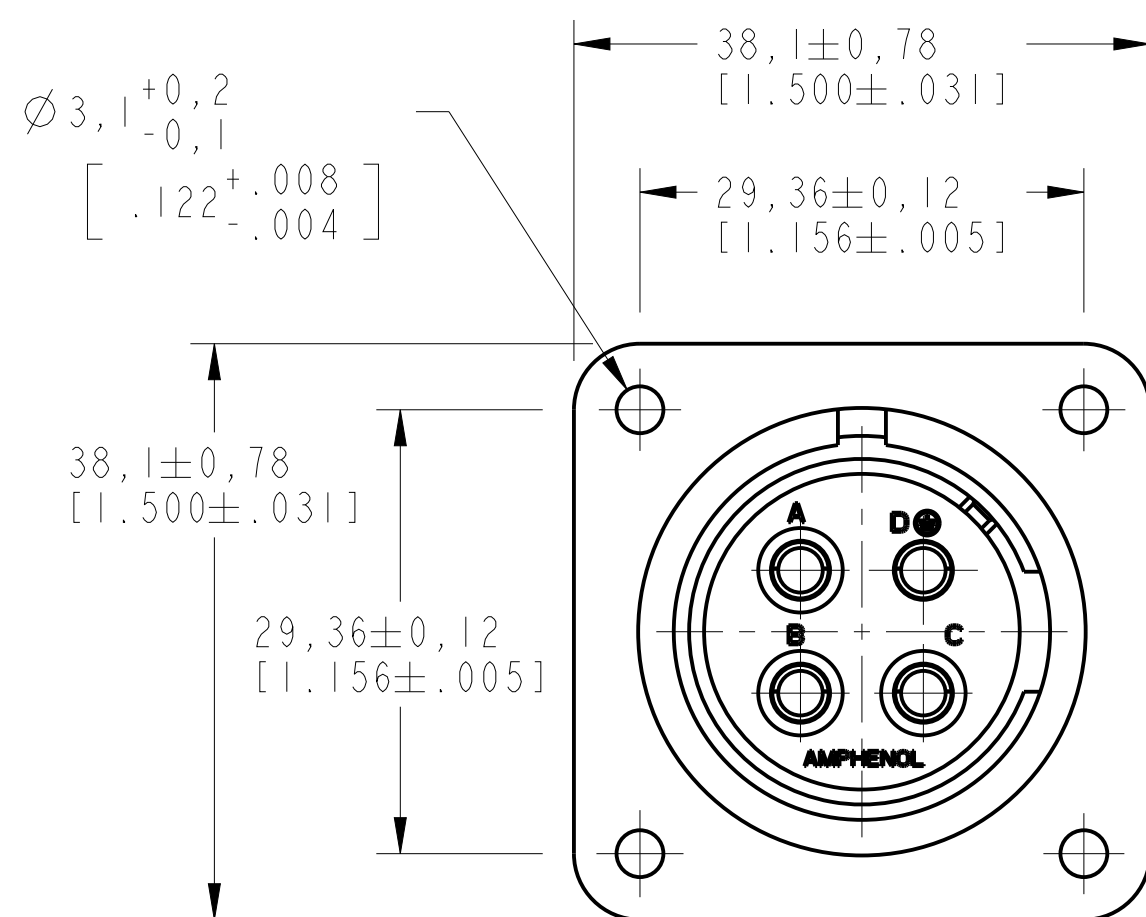


CUSTOMER DRAWING

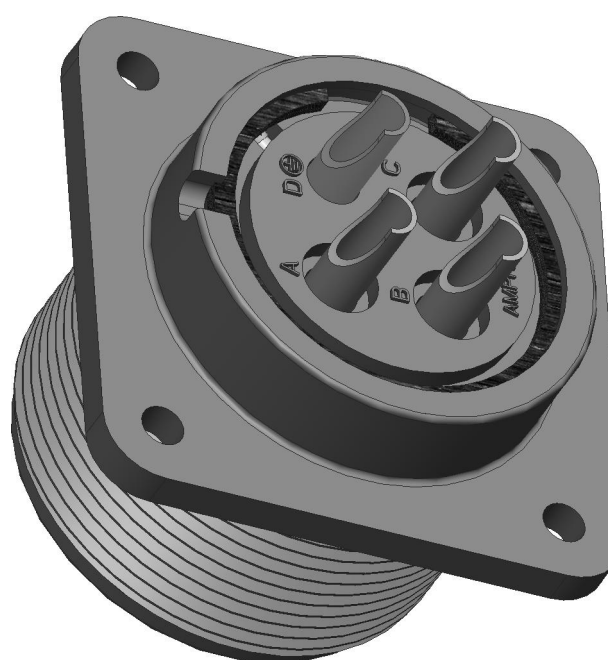
REV	DESCRIPTION	DATE
PA1	INITIAL RELEASE	2019-11-07
PA4	CHANGE THE PRODUCT CODE	2020-09-03



截面 B-B

1 1/4 -18NEF -2A THD.
15.9mm MIN. USEABLE THD.
有效螺纹长度15.9mm最小

WHITE INK STAMP "AMPHENOL", ASSEMBLY NUMBER AND DATE CODE APPROX.
白色油墨印字 AMPHENOL + 产品编号 + 制造日期(年周 1930)



SPECIFICATIONS / 技术参数	
SERVER RATING 服务等级	A
NUMBER OF CONTACTS 端子数量	4
CONTACT SIZE 端子大小	#12
CURRENT RATE 额定电流	23A/PIN
OPERATING VOLTAGE 额定电压	500V AC 最大
OPERATING TEMPERATURE 工作温度	-55°C TO 125°C
D.W.V. 耐电压	2000V AC
INSULATION RESISTANCE 绝缘电阻	1000 MΩ最小(AT 500VDC)
CONTACT RESISTANCE 端子接触电阻	5 mΩ 最大
DURABILITY 耐久性	100次
SALT SPRAY 盐雾	5%NaCl, 48小时
AIR LEAKAGE 气密性	2.9X10 ⁴ Pa压力下保持1分钟不泄露
SHELL PLATING 外壳电镀	BLACK ZINC PLATING 黑锌电镀
APPLICABLE WIRE 适用线规	3.5mm ² 最大

NOTES:
1. THE REFERENCED PRODUCT IS IN COMPLIANCE WITH THE MAXIMUM CONCENTRATION VALUES(MCVS) AS SET BY RoHS 2.0 DIRECTIVE 2011/65/EU AND ANNEX II AMENDMENT DIRECTIVE (EU)2015/863.

THIS DOCUMENT CONTAINS PROPRIETARY INFORMATION AND SUCH INFORMATION MAY NOT BE DISCLOSED TO OTHERS FOR ANY PURPOSE OR USED FOR MANUFACTURING PURPOSES WITHOUT WRITTEN PERMISSION FROM THE AMPHENOL CORP.

N/A
NEXT ASSEMBLY

PRO/ENGINEER INFORMATION
Pro/e Model Used:
10-763478-04P.ASSEM
Drawing Name:
10-763478-04P

UNLESS OTHERWISE SPECIFIED
SPECIFICATIONS
MATERIAL SPEC.
N/A
PROCESS SPEC.
N/A

LINEAR DIMENSIONS ARE IN INCHES
TOLERANCES:
.XXXX = ±.0005 ANGLES= ±2°
.XXX = ±.010
.XX = ±.03
.X = ±.1

DIM. & TOL. PER ASME Y14.5M;
DRM PER MIL-DTL-31000;
OTHER Amphenol Stds. PER 9-3800

LEGENDS:
=FLAG NOTE CALL OUT REFERENCE ONLY

POS	QTY	DESCRIPTION	MATERIAL & FINISH	NOTE
7	1	REAR INSULATOR	PLASTIC	COLOR: BLACK
6	1	RETAINING RING	COPPER ALLOY, TIN PLATING	
5	1	EARTH PIN	COPPER ALLOY, NICKEL PLATING	
4	1	FRONT INSULATOR	SILICONE RUBBER	COLOR: BLACK
3	1	CONTACT, EARTH	COPPER ALLOY, SILVER PLATING	CONTACT NO:D
2	3	#12 CONTACT	COPPER ALLOY, SILVER PLATING	CONTACT NO: A, B, C
1	1	SHELL	ALUMINUM ALLOY, ZINC PLATING	COLOR: BLACK

APPROVALS		DATE
PREPARED BY	LIANG XU	Sep-03-20
ENGINEER IN CHARGE	LIANG XU	
DESIGN MANAGER	RAN XIAO	
DESIGN ACTIVITY GROUP	C3	
THIRD ANGLE PROJECTION		

AMPHENOL INDUSTRIAL OPERATIONS
Amphenol Technology(Zhuhai)Co.,Ltd
No.63, Xinghan Road, Sanzao Town, Jinwan, Zhuhai

**CONNECTOR, ELECTRICAL RECEPTACLE
97-3102E-20-4P(400)(955), GROUND-TYPE
CONDUCTIVE BLACK ZINC ALLOY PLATED**

SIZE C	CAGE CODE 77820	DOCUMENT NO. 10-763478-04P	REV. PA4
SCALE: 2.0		REF. N/A	SHEET 1 OF 1

10-763478-04P

SHEET 1 OF 1 PA4

C

B

A

FORMAT: C-L-E-Rev-B

SHEET 1 OF 1 PA4

10-763478-04P