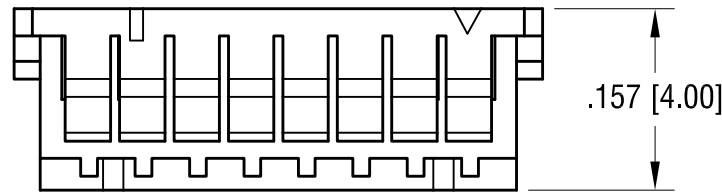
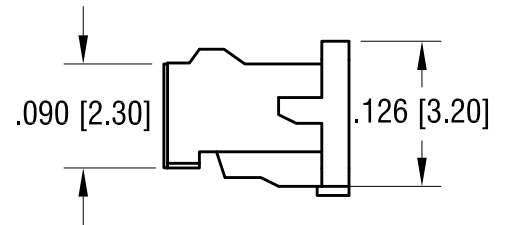
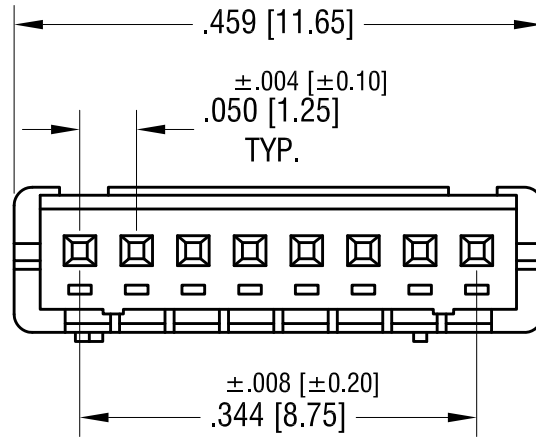
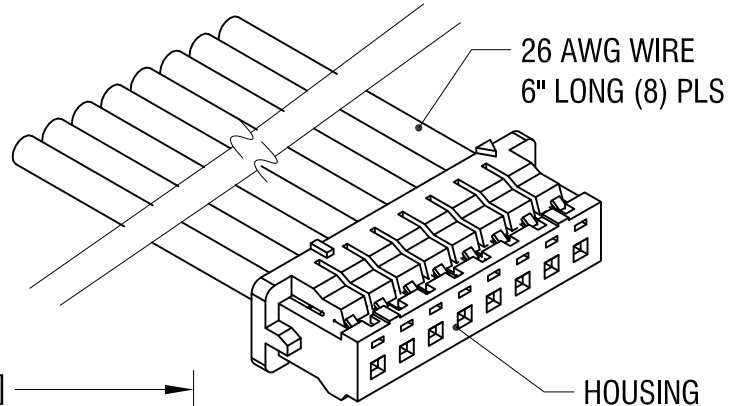
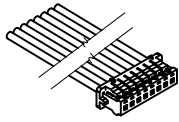


THIS DOCUMENT IS THE PROPERTY OF  
KEYSTONE ELECTRONICS CORP. AND  
SHALL NOT BE REPRODUCED, DISTRIBUTED  
OR USED AS A BASIS FOR MANUFACTURE  
WITHOUT PRIOR WRITTEN PERMISSION  
FROM KEYSTONE ELECTRONICS CORP.

ACTUAL SIZE



**NOTE:**

- |   |   |
|---|---|
| <p>1. CURRENT RATING: 1A AC, DC<br/>         VOLTAGE RATING: 150V AC, DC<br/>         TEMPERATURE RANGE: -40°C TO +105°C<br/>         CONTACT RESISTANCE: 30mΩ MAX.<br/>         INSULATION RESISTANCE: 500MΩ MIN.<br/>         WITHSTANDING VOLTAGE : 500V AC/minuts</p> | <p>2. 1.25mm PITCH CRIMP TERMINAL (8PCS)<br/>         MAT'L- PHOSPHOR BRONZE<br/>         FINISH- TIN PLATE</p> <p>3. HOUSING: MAT'L- NYLON 6/6, UL94V-0<br/>         COLOR- GRAY</p> <p>4. WIRE: 26 AWG (WHITE COLOR), 6.00 [152.3] LONG</p> |
|---|---|

<b>KEYSTONE ELECTRONICS CORP.</b>			
www.keyelco.com • ASTORIA, N.Y. 11105-2017 • Tel (718) 956-8900			
PART NAME			
8 PIN FEMALE CONNECTOR			
MATERIAL			
AS NOTED			
FINISH		DRN BY	DATE
AS NOTED		NT	5.11.16
		APP'D	SCALE
		LN	6X
TOLERANCES	INCH [MM]	CODE	DWG NO.
DECIMAL	± .010 [± 0.25]	C	<b>961H</b>
ANGULAR	± 1°		
UNLESS OTHERWISE SPECIFIED			

DATE	DESCRIPTION	REV.	
------	-------------	------	--