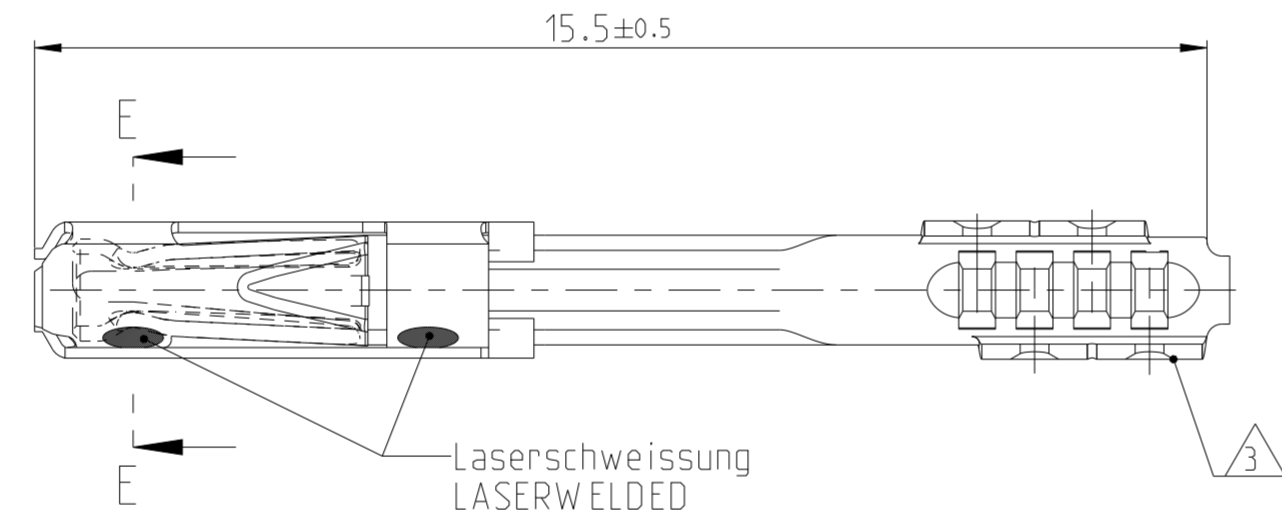
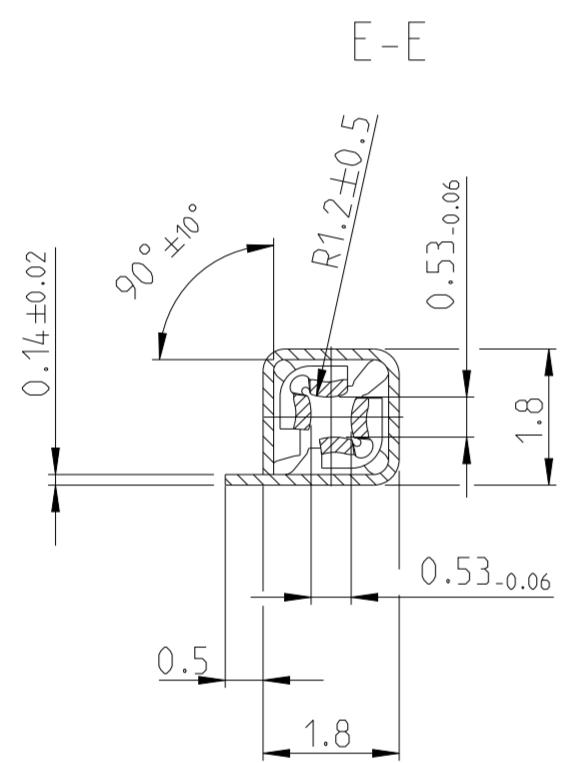
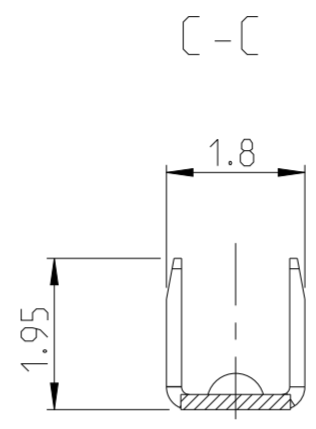
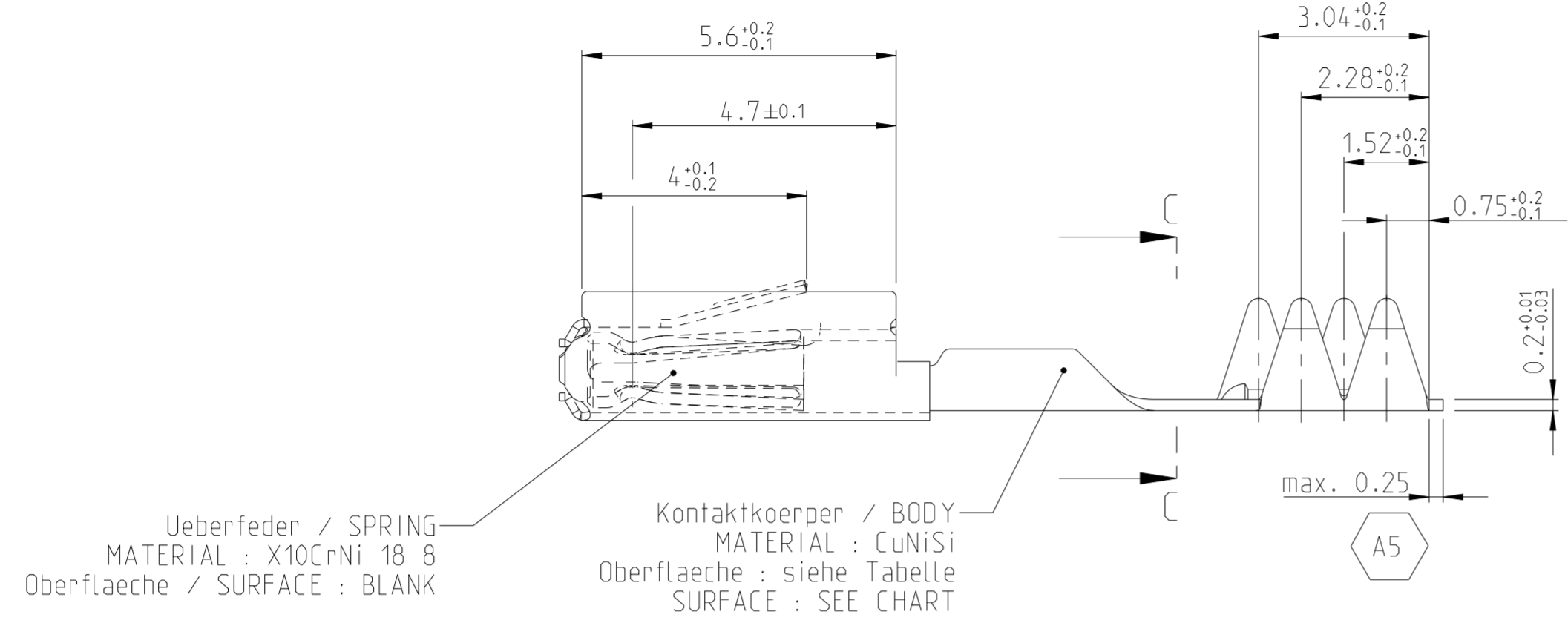


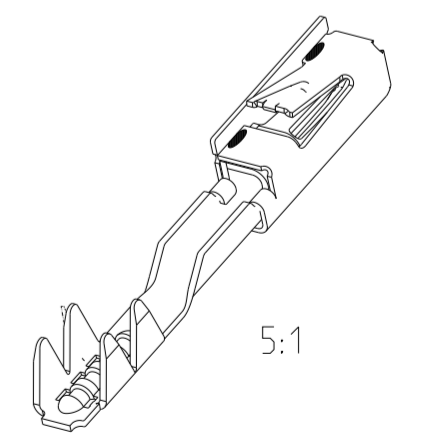
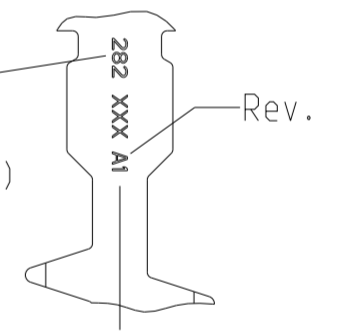
THIS DRAWING IS UNPUBLISHED. RELEASED FOR PUBLICATION 2004  
 © COPYRIGHT 1999 Tyco Electronics AMP GmbH ALL RIGHTS RESERVED.

LOC	DIST	REVISIONS			
P	LTR	DESCRIPTION	DATE	DWN	APVD
A2		EGA0 2122 04	23SEP2004	Abr	HK
A3		ECR-11-016077	05NOV2012	Abr	Brun
A4		ECR-13-015135	27SEP2013	Abr	Brun
A5		ECR-21-005168	06MAY2021	MAH.	BRUN



Bemerkungen  
 NOTES

- Einzelheiten der Ausfuehrung bleiben dem Hersteller ueberlassen  
 DETAILS OF DESIGN ARE LEFT TO MANUFACTURER
- Passend zu Stifkontakt siehe Zeichnung : 929453  
 SUITABLE FOR PIN CONTACT SEE DRAWING : 929453
- passend fuer flexiblen Flachleiter PN 88586  
 SUITABLE FOR FFC PN 88586
- Datumscode (Woche / Jahr, z.B. KW28 / Jahr 2012) und TE-Revision (z.B.Rev.A)  
 DATE-CODE WEEK / YEAR (E.G. WEEK NUMBER 28/ YEAR 2012) AND TE REVISION (E.G. REV. A)



929387-1	A	Sn	0.12
Bandware Bestell-Nr	REV.	Oberflaeche SURFACE	Gewicht WEIGHT g
STRIP ORDER NO.			

THIS DRAWING IS A CONTROLLED DOCUMENT.		DWN S. Garcia 30APR1998	<b>STE</b> TE Connectivity	
DIMENSIONS: mm		CHK R. Jetter 30APR1998		
TOLERANCES UNLESS OTHERWISE SPECIFIED:		APVD Bleicher, M. 05APR2004	NAME MQS-RECEPTACLE CONTACT WITH FFC-CRIMP Micro Quadlok System FLEXIBLE FLAT CABLE SOCKET CONTACT	
0-PLC ±		PRODUCT SPEC 108-18030	SIZE CAGE CODE DRAWING NO RESTRICTED TO	
1-PLC ± ±0.2		APPLICATION SPEC 114-18287	A2 00779 C-929387	
2-PLC ±		WEIGHT -	SCALE 10:1 SHEET 1 OF 1 REV A5	
3-PLC ±		CUSTOMER DRAWING		
4-PLC ±				
ANGLES ±°				
FINISH				