

Technical Characteristics

Part Number

Han K4/2 Power Kit

Hood	Side Entry
Housing	Double Lever Bulkhead
Material	Die Cast Aluminum
IP / NEMA	IP66 / 4, 4x, 12
Temp Rating	-40 to +125C
Cable Gland	M40 Metal
Cable Diameter	20-26mm / 22-32mm
Insert	4(power)+2(signal)+GND
Screw Terminals	16-6AWG /20-14AWG
Wire Strip Length	14mm (power) 7.5mm (signal)
Mating Cycles	>500
Flammability	V-0

73 10 100 0009

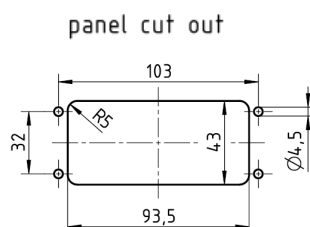
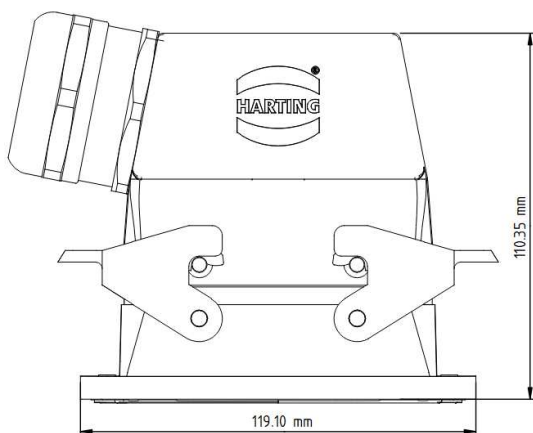


Electrical Characteristics

Rated Current	80A /16A
Rated Voltage	600V
Rated Impulse Voltage	8kV

Drawings and Assembly Information

Dimensions in mm



Tooling and Torque Values

Type	Tool	Torque (Nm)
Terminal Screws (M3)	See HARTING E-Catalogue	
Fixing Screw (M3)	PH2 or Slotted 0.6 x 3.5	0.50
Mounting Screws (M4 recommended)	-	0.8...1.0
Cable Gland (M40)	SW 50	15

Kit Contents

Male Insert	09 38 006 2601
Female insert	09 38 006 2701
Housing	09 30 016 0391
Hood	19 30 016 0528
Cable Gland	19 00 000 5099