

注記 NOTES

1. 使用材料 MATERIAL

ハウジング：液晶ポリマー (LCP) ガラス充填 UL94V-0 (黒)
 HOUSING: LIQUID CRYSTAL POLYMER (GLASS FILLED) UL94V-0 (COLOR: BLACK)
 ターミナル：りん青銅 (t=0.1)
 TERMINAL : PHOSPHOR BRONZE (t=0.1)

2. メッキ仕様 PLATING

ターミナル TERMINAL

金メッキ 0.1 マイクロメートル以上
 GOLD 0.1 MICROMETER MINIMUM

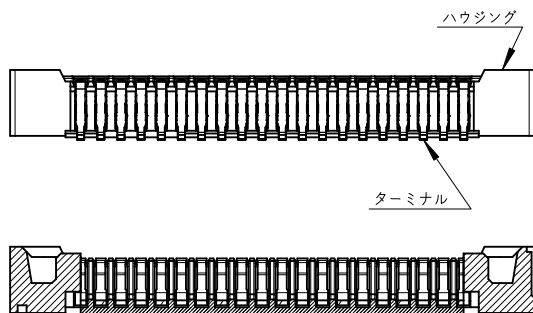
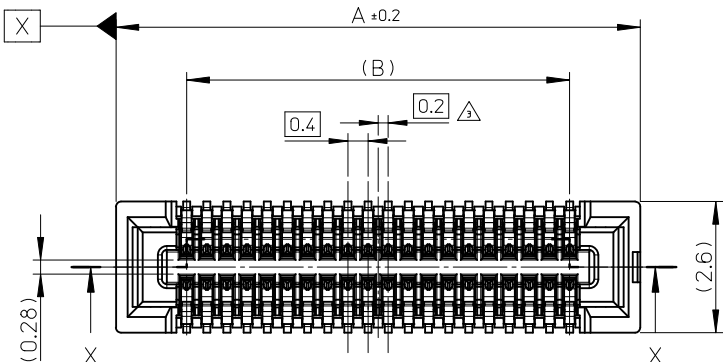
下地メッキ：ニッケルメッキ 1.0 マイクロメートル以上
 UNDER PLATING : NICKEL 1.0 MICROMETER MINIMUM

※コンタクト部とテール部はニッケルメッキによって分断されている金メッキです。
 DIVIDE INTO PARTS THE GOLD PLATING OF THE CONTACT AND THE TAIL PART BY THE NICKEL PLATING.

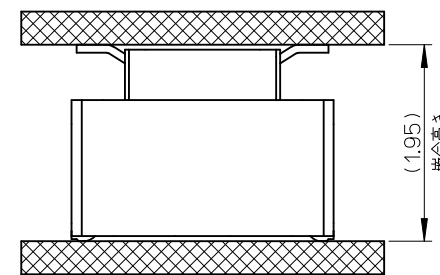
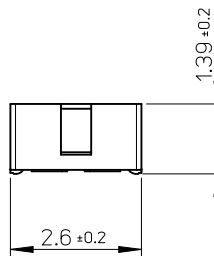
※封孔処理品

△ (全極数/2) = 偶数の場合に適用。
 APPLY FOR (CIRCUIT/2) = EVEN.

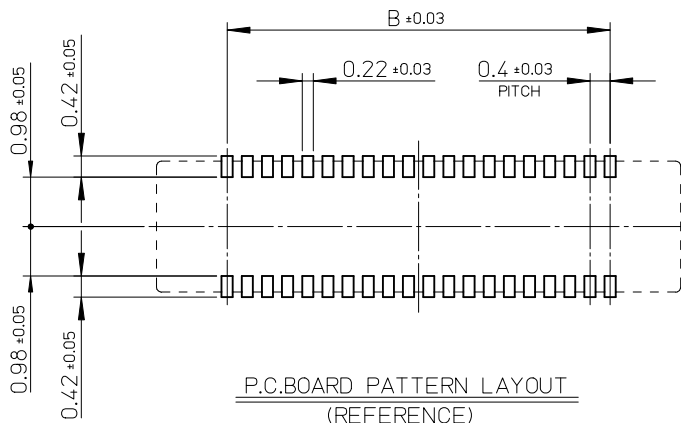
- 4. 嵌合相手： 503108 シリーズ
MATE WITH : 503108 SERIES.
- 5. テール平坦度は、0.1 以下
TAIL COPLANARITY TO BE 0.1 MAXIMUM.
- 6. ELV 及び RoHS 適合品
ELV AND RoHS COMPLIANT.



SECTION X-X



MATED CROSS SECTION
(REFERENCE)



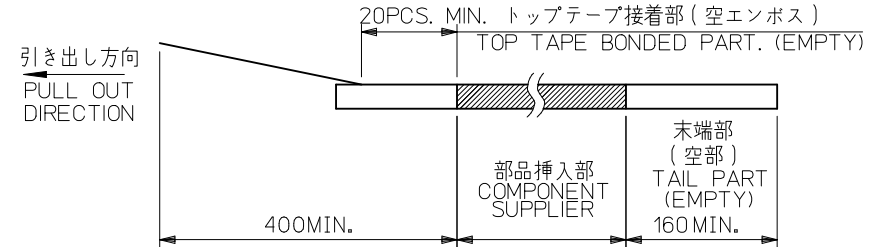
P.C. BOARD PATTERN LAYOUT
(REFERENCE)

9.6	12.4	503105-5070	50
8.4	11.2	503105-4470	44
7.6	10.4	503105-4070	40
B	A	EMBOSSED TAPE PACKAGE	極数 CIRCUITS
		ORDER No. オーダー番号	
MODEL No. : 503105-**79			

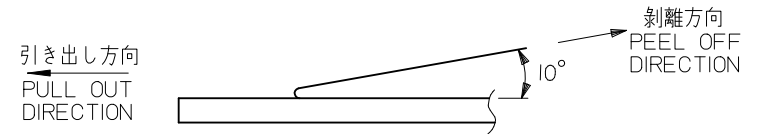
REVISED EC NO: J2012-0687 2011/11/25 DRWN: MYOSHIDA 2011/11/25 CHKD: TASAKAWA 2011/11/30 APPR: MSASAO	DESCRIPTION REV	GENERAL TOLERANCES (UNLESS SPECIFIED)	DIMENSION STYLE MM ONLY	SCALE 10:1	DESIGN UNITS METRIC	THIRD ANGLE PROJECTION
		10 UNDER ± ---	DRAWN BY TTANIGUCHI	DATE 2008/10/08	TITLE 0.4 B-T-O-B CONN. HGT=1.5 W=2.6 W/O NAIL REC ASSY CHECKER TYPE	
		10 OVER 30 UNDER ± ---	CHECKED BY THIRATA	DATE 2008/10/08	MOLEX INCORPORATED	
		30 OVER ± ---	APPROVED BY MSASAO	DATE 2008/10/08	DOCUMENT NO. SD-503105-003	
ANGULAR ± --- °		DRAFT WHERE APPLICABLE MUST REMAIN WITHIN DIMENSIONS		SEE CHART		SHEET NO. 1 OF 1
SIZE A3		THIS DRAWING CONTAINS INFORMATION THAT IS PROPRIETARY TO MOLEX INCORPORATED AND SHOULD NOT BE USED WITHOUT WRITTEN PERMISSION				

注記 NOTES

- 製品詳細寸法については製品単体図面を参照下さい。
RE DETAILED DIMENSION, SEE PRODUCT DRAWING.
- 梱包数量: 3000 個/リール
NUMBER OF CONNECTORS : 3000PCS/REEL
- リードテープ長さ LEAD TAPE LENGTH

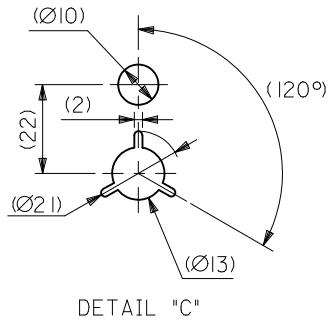
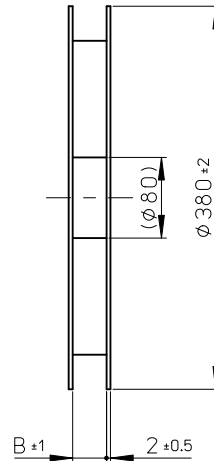
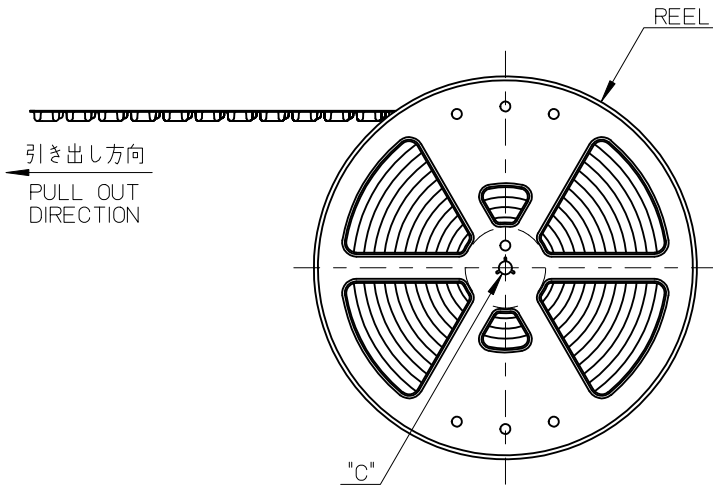


- トップテープの剥離強度: 0.1N~1.3N(10gf~130gf)
(剥離方向は下図参照)
尚、本規格値は出荷時に適用。(但し、輸送時に剥離が発生しないこと。)
PEELING OFF FORCE OF TOP TAPE : 0.1N~1.3N(10gf~130gf)
(PEELING DIRECTION AS SHOWN IN FOLLOWING FIG.)
THIS REQUIREMENT SHOULD BE APPLIED AT SHIPMENT.
PEEL OFF SHOULD NOT BE ALLOWED, DURING TRANSPORTION.



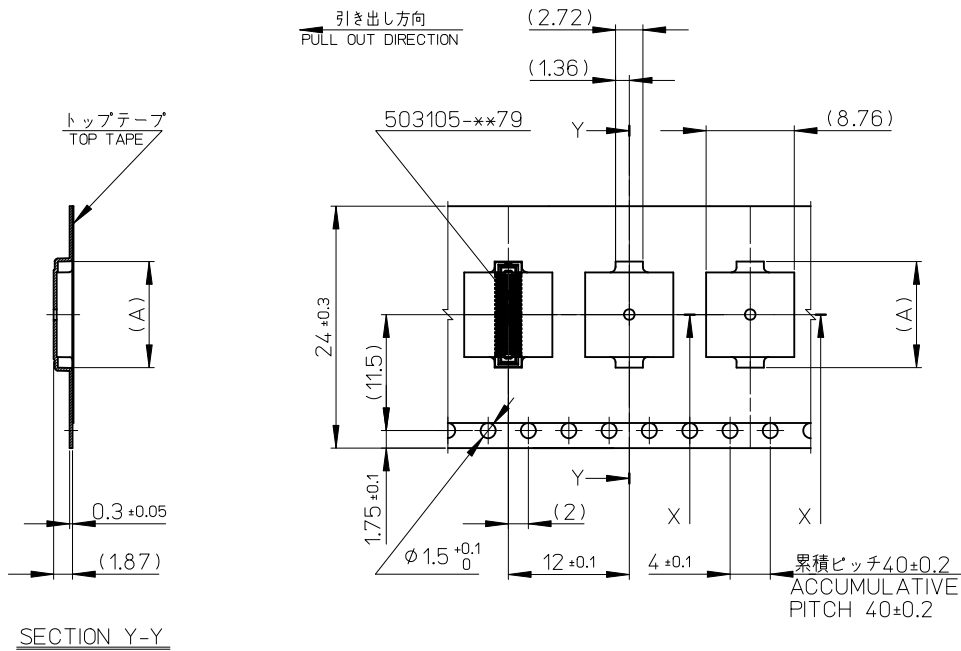
- 材料 MATERIAL
キャリアテープ (CARRIER TAPE): ポリスチレン (POLYSTYRENE)
トップテープ (TOP TAPE): PET, PE, PEF
リール (REEL): ポリスチレン (PS) <リサイクル材を含む>
POLYSTYRENE (PS) <RECYCLE MATERIAL CONTAINED>
- ELV 及び RoHS適合品
ELV AND RoHS COMPLIANT

10 9 8 7 6 5 4 3 2 1



DETAIL "C"

REVISED EC NO: J2012-0687 DRWN:MYOSHIDA 2011/11/25 CHKD:TASAKAWA 2011/11/25 APPR:MSASAO 2011/11/30	DESCRIPTION A	GENERAL TOLERANCES (UNLESS SPECIFIED)		DIMENSION STYLE MM ONLY		SCALE	DESIGN UNITS METRIC	MODEL NO.	503105-**70	
		10 UNDER	±---	DRAWN BY	DATE	TITLE	0.4 B-T0-B CONN. HGT=1.5 REC ASSY EMBSTP PKG CHECKER TYPE			
		10 OVER 30 UNDER	±---	TTANIGUCHI	012009/01/27	MOLEX INCORPORATED				
		30 OVER	±---	THIRATA	2009/01/27					
ANGULAR	±---°	APPROVED BY	DATE	MATERIAL NO.	DOCUMENT NO.	SHEET NO.	SD-503105-004 1 OF 2			
DRAFT WHERE APPLICABLE MUST REMAIN WITHIN DIMENSIONS		MSASAO	2009/01/27	SEE CHART						
THIS DRAWING CONTAINS INFORMATION THAT IS PROPRIETARY TO MOLEX INCORPORATED AND SHOULD NOT BE USED WITHOUT WRITTEN PERMISSION										



24mm 幅キャリアテープ
24mm WIDTH CARRIER TAPE

24	25.5	12.52	503105-5070	50
		11.32	503105-4470	44
		10.52	503105-4070	40
キャリアテープ幅 CARRIER TAPE WIDTH	B	(A)	MATERIAL No.	CKT.
			MODEL No.	503105-**-70

RELEASED EC NO: J2012-0687 DRWN: MYOSHIDA 2011/11/25 CHKD: TASAKAWA 2011/11/25 APPR: MSASAO 2011/11/30	DESCRIPTION REV: A	GENERAL TOLERANCES (UNLESS SPECIFIED)	DIMENSION STYLE MM ONLY	SCALE DESIGN UNITS METRIC	THIRD ANGLE PROJECTION	
		10 UNDER ± --- 10 OVER 30 UNDER ± --- 30 OVER ± --- ANGULAR ± --- ° DRAFT WHERE APPLICABLE MUST REMAIN WITHIN DIMENSIONS	DRAWN BY DATE TTANIGUCHI 01 2009/01/27 CHECKED BY DATE THIRATA 2009/01/27 APPROVED BY DATE MSASAO 2009/01/27	TITLE 0.4 B-T0-B CONN. HGT=1.5 REC ASSY EMBSTP PKG CHECKER TYPE	MOLEX INCORPORATED	SHEET NO. 2 OF 2
		SEE CHART	DOCUMENT NO. SD-503105-004	THIS DRAWING CONTAINS INFORMATION THAT IS PROPRIETARY TO MOLEX INCORPORATED AND SHOULD NOT BE USED WITHOUT WRITTEN PERMISSION		
		A3	EN-02JA(021)			