

# Instructions for the installation of 3458 Locator Plate Riser Block

## General:

The 3458 Locator Plate Riser Block is used with the 3316 Universal Press for the purpose of raising 3443-XX Scotchflex Locator Plates (for controlled pitch cable) to the same height as exists on other Scotchflex assembly presses. The standard 3442-1A platen supplied with the 3316 Universal Press will handle most Scotchflex connectors. Platens required for the assembly of other Scotchflex connector are available through your Scotchflex representative.

## Installation:

The 3458 Locator Plate Riser Block mounts onto the top surface of the 3316 Universal Press base and is anchored in place with two slotted captive screws (Figure 1) which should be tightened down firmly with a screwdriver.

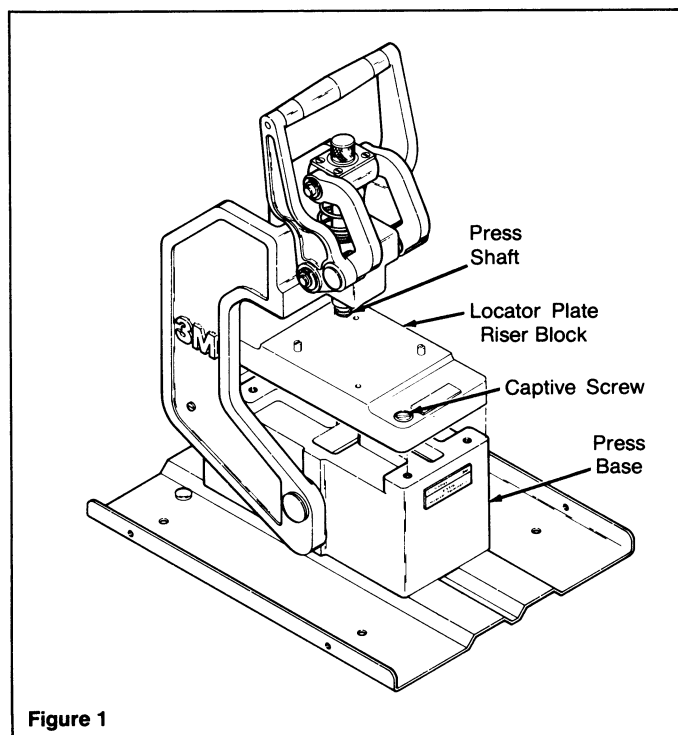


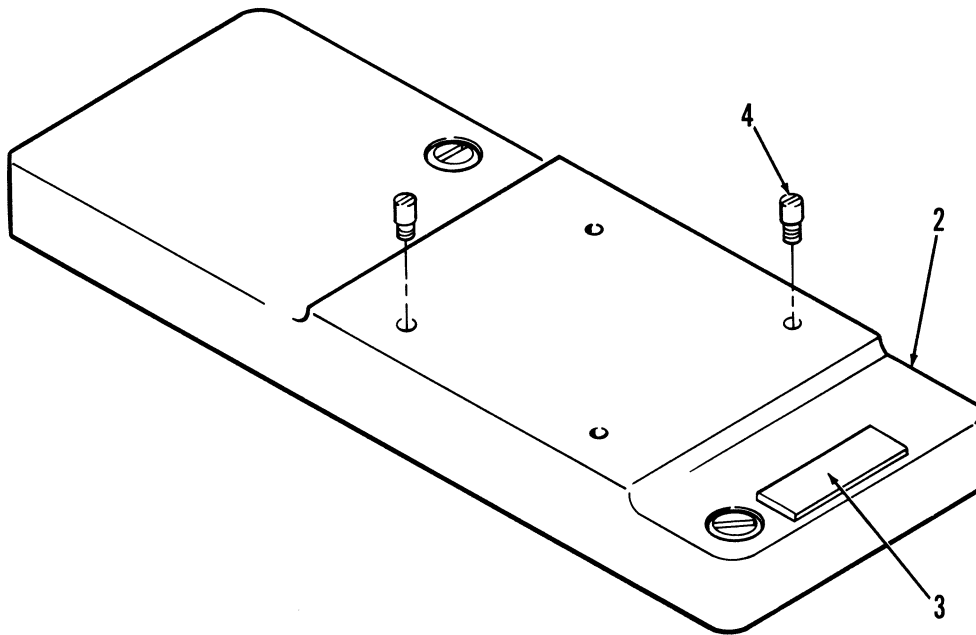
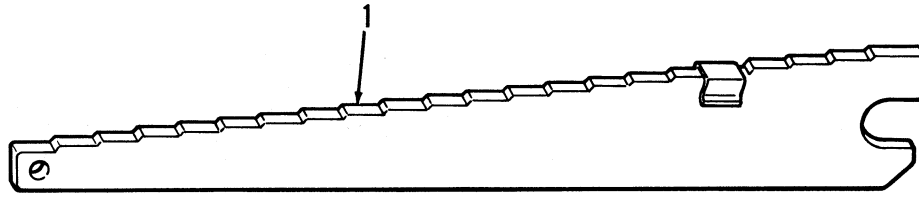
Figure 1

## Shut Height Adjustment:

The 3436-1A Shut Height Gauge is supplied with the Locator Plate Riser Block. Refer to Instructions for the particular connector being assembled for:

- the correct placement of gauge
- the shut height (Reference setting for 3335 Press)

You are now ready to install a Locator Plate for the appropriate connector being assembled.



Item No.	Part No.	Description
1	78-8022-2014-1	SHUT HEIGHT GAUGE
2	78-8041-2598-3	FLAT CABLE BLOCK
3	78-8041-4380-4	LABEL
4	78-8006-5362-4	PRESS STUD

**Important Notice to Purchaser:**

All statements, technical information and recommendations contained herein are based on tests we believe to be reliable, but the accuracy or completeness thereof is not guaranteed, and the following is made in lieu of all warranties expressed or implied:

Seller's and manufacturer's only obligation shall be to replace such quantity of the product proved to be defective. Neither seller nor manufacturer shall be liable for any injury, loss or damage, direct or consequential, arising out of the use or the inability to use the product. Before using, user shall determine the suitability of the product for his intended use, and user assumes all risk and liability whatsoever in connection therewith.

No statement or recommendation not contained herein shall have any force or effect unless in an agreement signed by officers of seller and manufacturer.