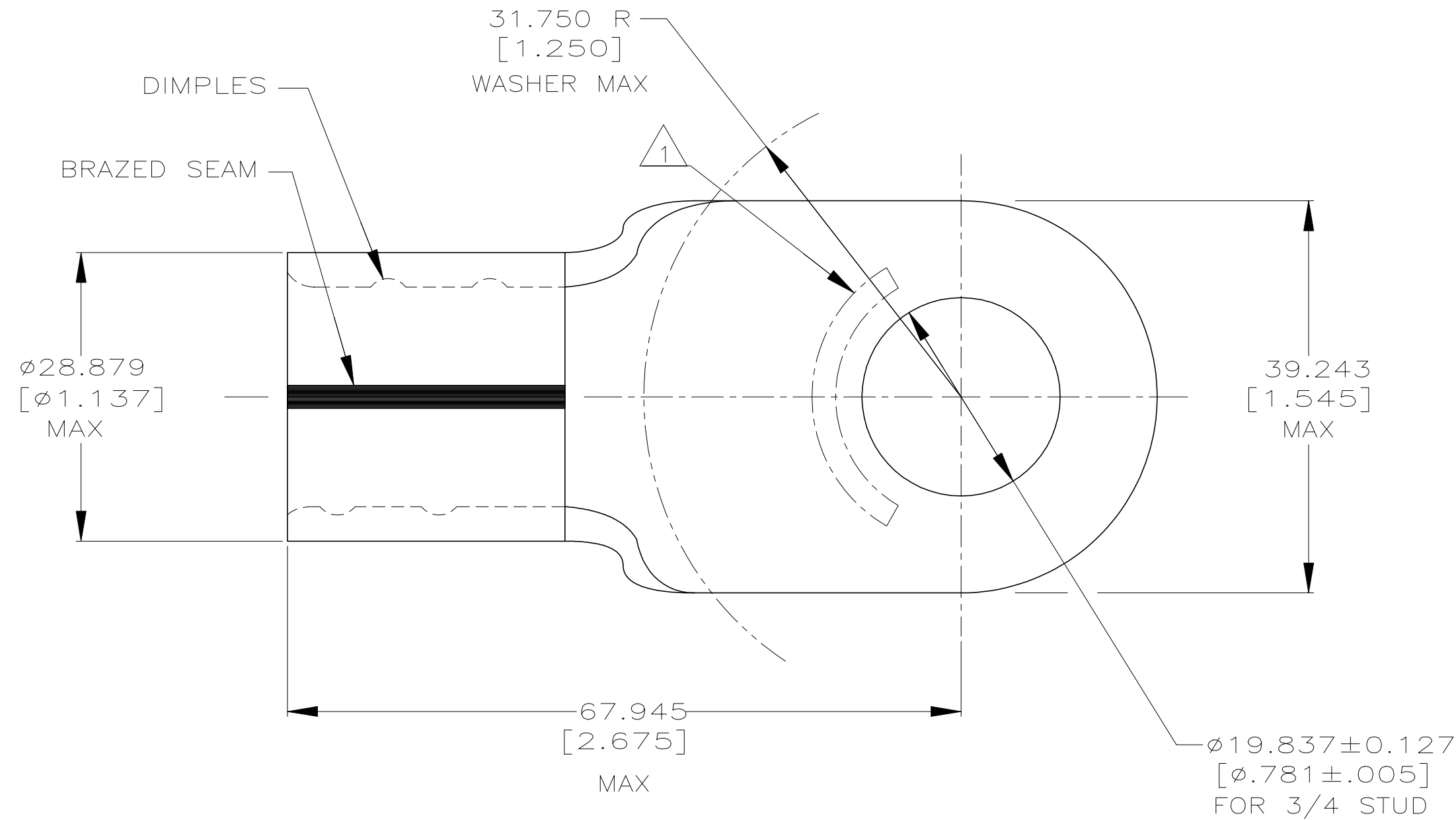


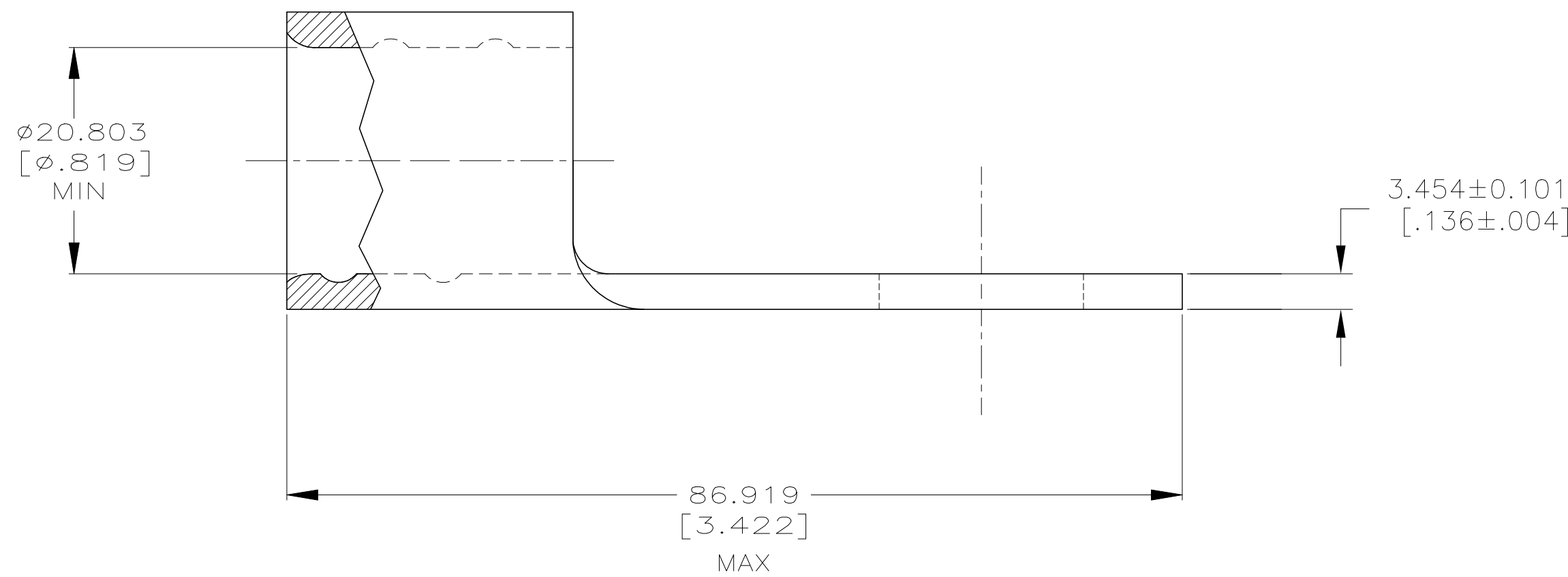
THIS DRAWING IS UNPUBLISHED. RELEASED FOR PUBLICATION
 © COPYRIGHT - TE Connectivity ALL RIGHTS RESERVED.

REVISIONS					
P	LTR	DESCRIPTION	DATE	DWN	APVD
C		REVISED PER ECO-17-004099	30AUG2017	RS	DR
D		REVISED PER ECO-19-004230	21MAR2019	RS	DR



AMP WIRE RANGE	E13288 Listed
300-350 MCM SOLID OR STRANDED	300-350 MCM STRANDED

1 STAMP AMP 300-350 MCM APPROX AS SHOWN



AMP INCORPORATED CUSTOMER SERVICE SYSTEMS		MAX RECOMMENDED OPERATING TEMPERATURE: 170° C [338°F] MAX
FOR ADDITIONAL PRODUCT INFORMATION OR COPIES OF DRAWINGS AND TECHNICAL DOCUMENTS	PRODUCT INFORMATION CENTER 1-800-522-6752	VOLTAGE RATING: NOT APPLICABLE
FOR APPLICATION TOOLING INFORMATION	TOOLING ASSISTANCE CENTER 1-800-722-1111	WIRE CROSS SECTIONAL AREA RANGE: 152.0-193.0mm ² [300,000-380,000] CIR MILS SOLID OR STRANDED
FOR ORDER ENTRY	1-800-526-5142	THIS DRAWING IS A CONTROLLED DOCUMENT FOR AMP INCORPORATED. IT IS SUBJECT TO CHANGE AND THE CONTROLLING ENGINEERING ORGANIZATION SHOULD BE CONTACTED FOR THE LATEST REVISION.

THIS DRAWING IS A CONTROLLED DOCUMENT.		DWN DK_SCHRUM 10/7/93	25	LOOSE PIECE	322428
DIMENSIONS: mm [INCHES]		CHK AJ KAUFMAN 10/13/93	QTY	PACKAGE TYPE	PART NUMBER
TOLERANCES UNLESS OTHERWISE SPECIFIED:		APVD RE ROSER 10/13/93	TE Connectivity		
0 PLC ± -		PRODUCT SPEC	NAME: TERMINAL, RING TONGUE, SOLISTRAND™ WIRE SIZE: 300-350 MCM		
1 PLC ± -		APPLICATION SPEC	SIZE	CAGE CODE	DRAWING NO
2 PLC ± -			A2	00779	C=322428
3 PLC ± 0.203[.008]			WEIGHT	SCALE	SHEET
4 PLC ± -			-	2:1	1 of 1
ANGLES ± -			CUSTOMER DRAWING	REV	D
MATERIAL COPPER PER ASTM B-152 ANNEALED		FINISH TIN PLATE 0.00254[.000100] MIN EXT THK PER ASTM B545			