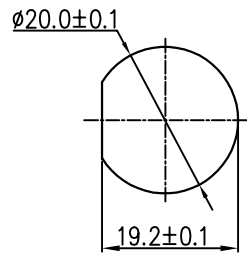
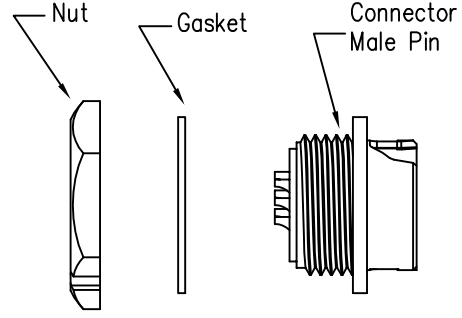
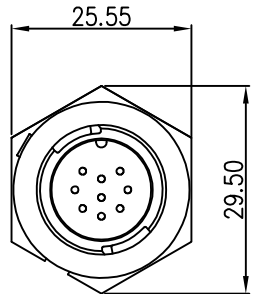
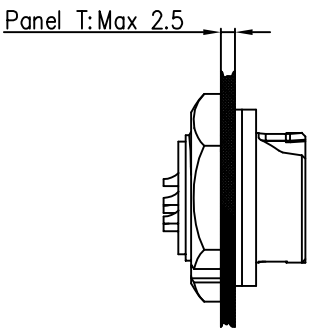
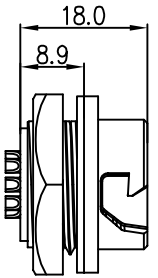


THIS INFORMATION IS CONFIDENTIAL AND IS DISCLOSED TO YOU ON CONDITION THAT NO FURTHER DISCLOSURE IS MADE BY YOU TO OTHER THAN CHOGORI PERSONNEL WITHOUT AUTHORIZATION FROM CHOGORI CORP.

REV.	ECN NO.	DESCRIPTION	SIGN	DATE
C1	N/A	INITIAL DRAWING	Liu	2020/05/16



Recommended Panel Cut-Out



- Specification:
1. Operation Temperature: $-45^{\circ}\text{C} \sim 105^{\circ}\text{C}$.
 2. Insulation Resistance: $100\text{M}\Omega$ at DC500V.
 3. Contact Resistance: $<10\text{m}\Omega$.
 4. Withstand Voltage: 1300V AC
 5. Operating Current: 5A
 6. Operating Voltage: DC 60V
 7. Waterproof Rate: IP67 (Mated)
 8. Housing: Nylon, Black
 9. Male Pin: Copper Alloy, Gold Plated
 10. Gasket: Silicon Gray
 11. Panel Nut: Nylon, Orange
 12. Torque Rate: $0.8 \sim 1.0\text{N} \cdot \text{m}$
 13. RoHS Compliant.
 14. UL Compliant. (Only 7Pin & 8Pin)
 15. Mating Cap P/N: 806-00103-00

23XXX535-03
Pin Number

7 Pin	8 Pin	9 Pin
P/N: 23007535-03	P/N: 23008535-03	P/N: 23009535-03

Pin Assignments Front View

UNIT:mm		DESCRIPTION Middle Series Push Lock Rear Mount With Male Pin
TOLERANCE	.X ±0.25 .XX ±0.15 .XXX ±0.05 ANGLES ±1°	SCALE: 1:1 SHEET 1 OF 1
REV. C1	SIZE A4	* : Inspection Item

CHOGORI

PART NO	23XXX535-03	DRAWN BY	Liu	DATE	2020/05/16
DWG NO		CHECKED BY	Mo	DATE	2020/05/16
CUSTOMER		APPROVED BY	Adley	DATE	2020/05/16

