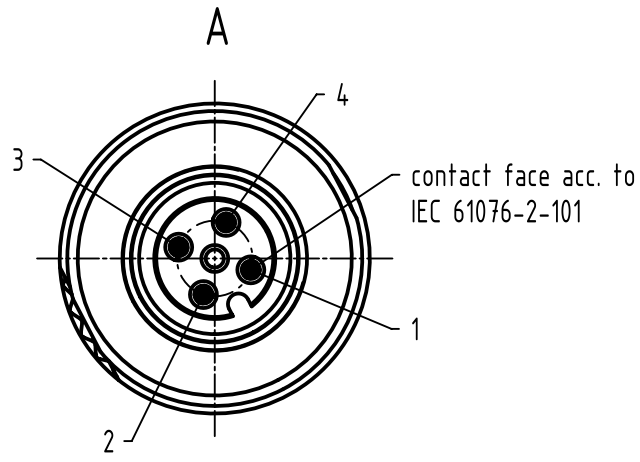
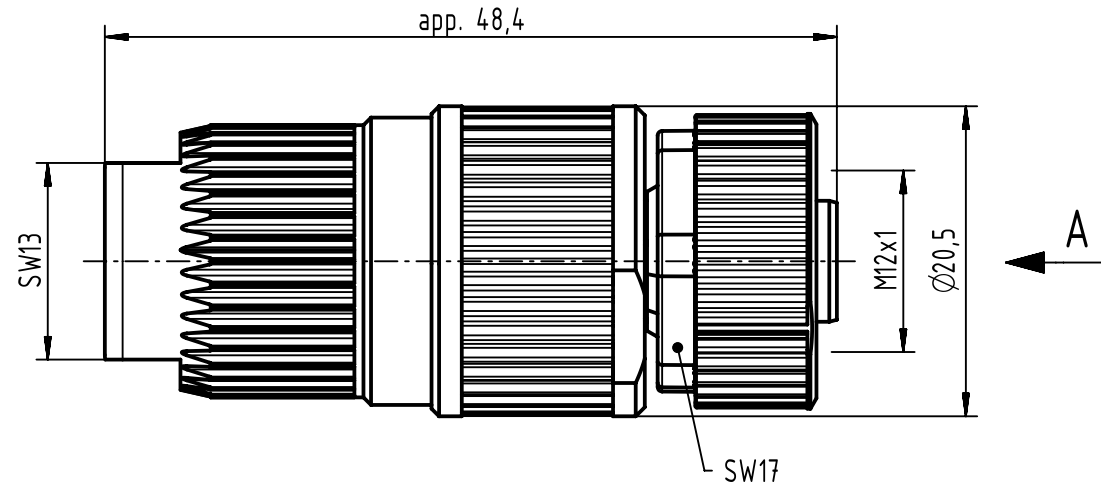
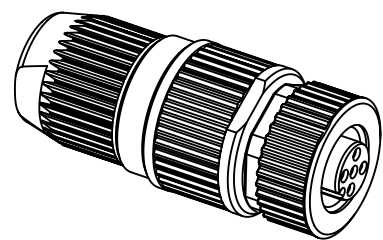
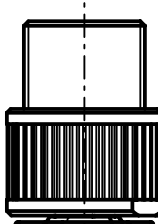
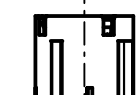
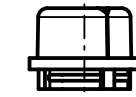
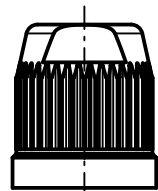


(1:1)



conductor cross section	0,34 - 0,75mm ² AWG22-AWG18
cable outside diameter	7,0 - 8,8mm

	All Dimensions in mm Original Size DIN A4	Scale	Free size tol.			Ref.	
		2:1				Sub. TB 21 03 212 2407 / EC01896 / 18.05.10	
	All rights reserved Department EC PD - DE	Created by	Inspected by	Standardisation	Date	State	
		BUSSMANT	EISFELD	HOFFMANN	2015-11-13	Final Release	
Title HARTING M12-L 4-pole A-coded female					Doc-Key / ECM-Nr. 100191039/UGD/002/C 500000095997		
HARTING Electronics GmbH D-32339 Espelkamp		Type	Number			Rev.	Page
		TB	21032122407			C	1/1