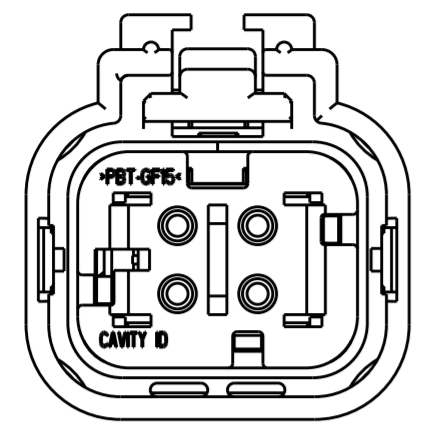
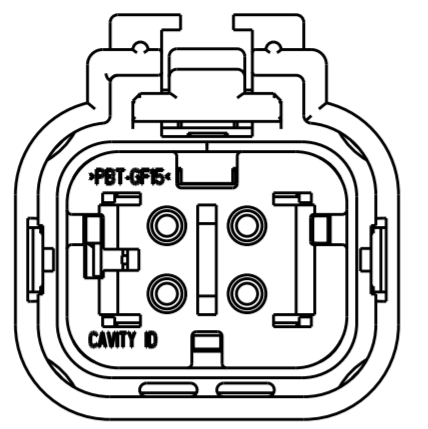


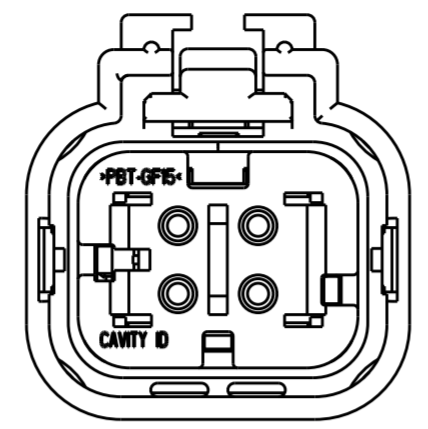
REVISIONS					
P	LTR	DESCRIPTION	DATE	DWN	APVD
A		REVISED PER ECO-10-007650	12APR2010	DD	RB
B		REVISED PER ECO-13-019865	27DEC2013	DR	RB



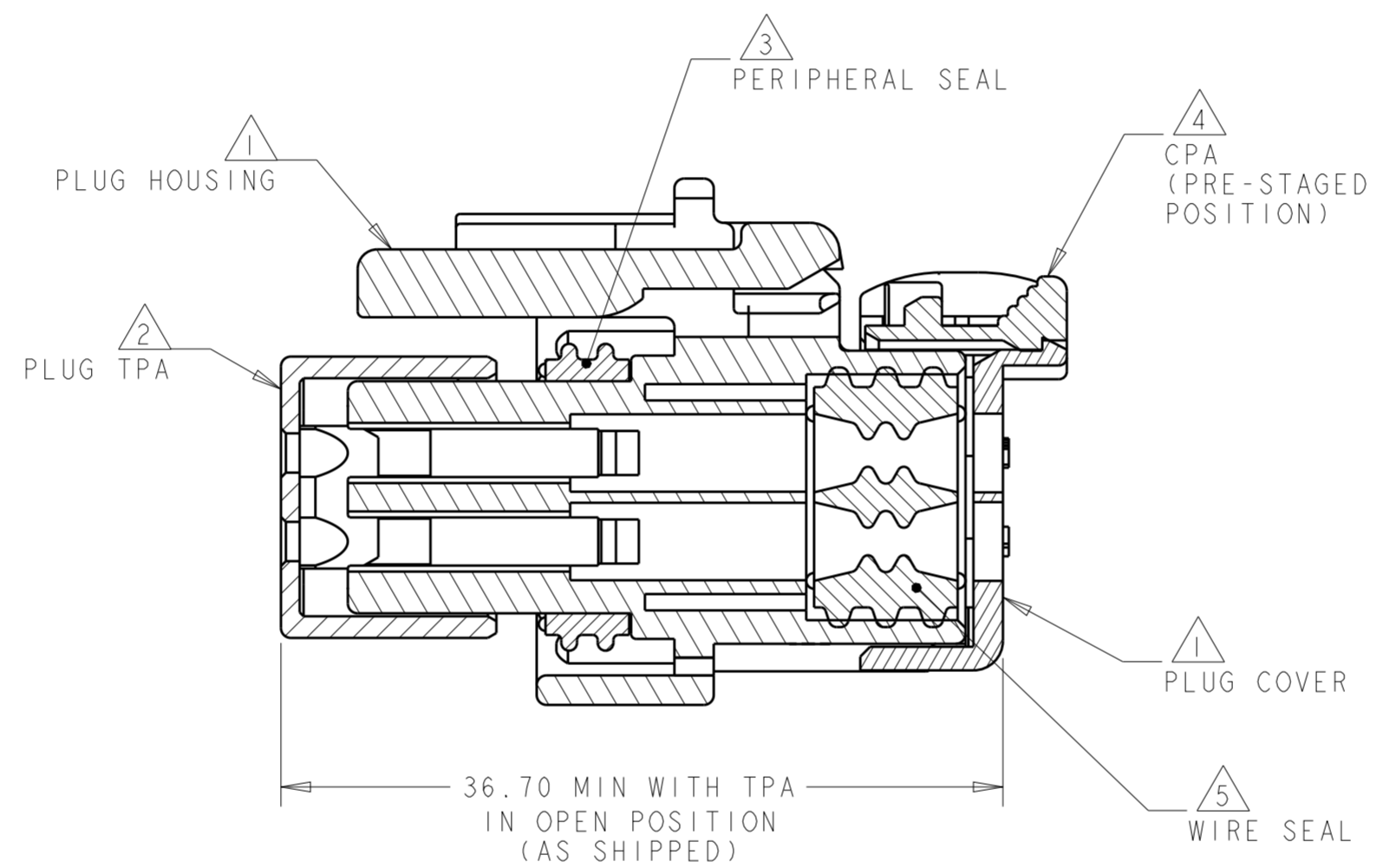
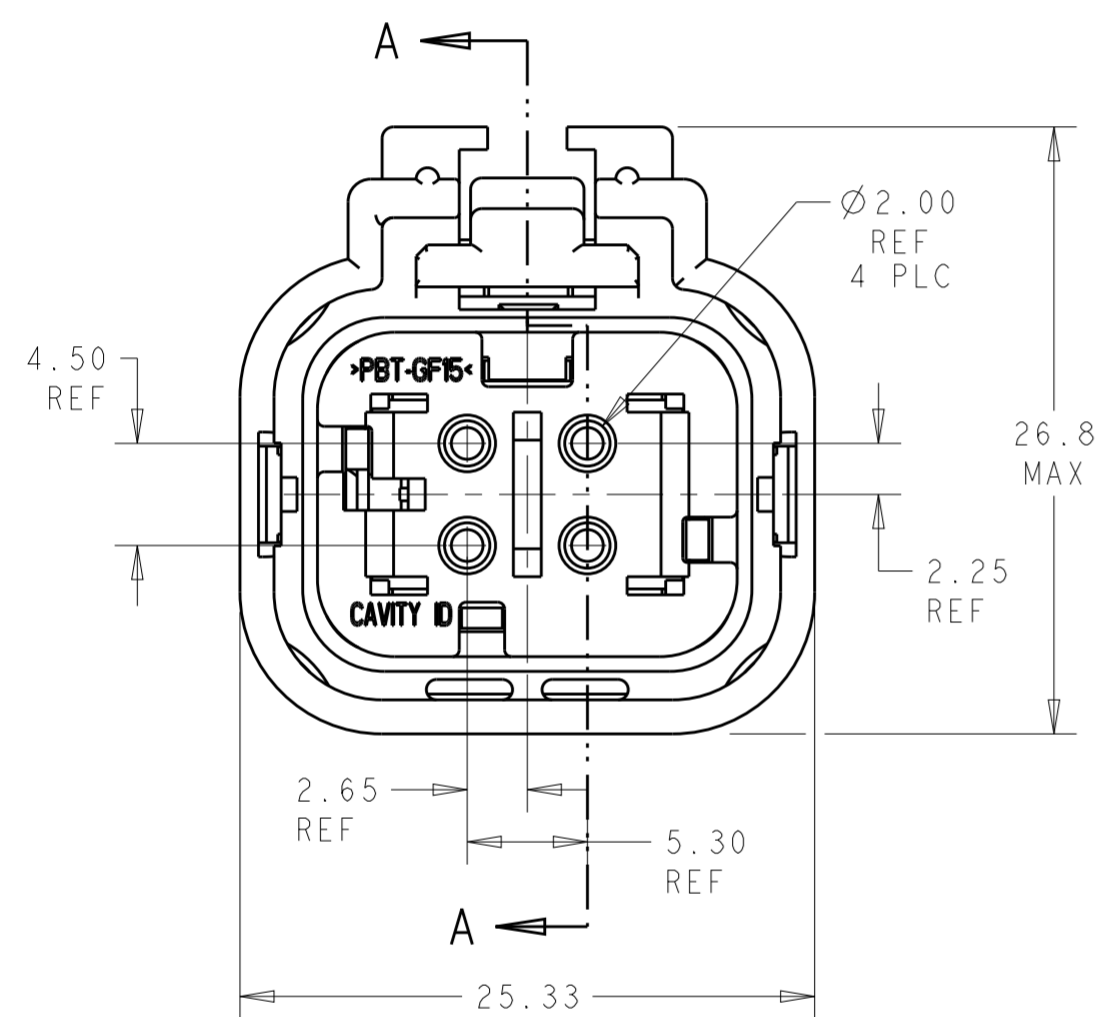
2035378-2
 PURPLE TPA
 KEY B
 SCALE 2:1



2035378-3
 BLUE TPA
 KEY C
 SCALE 2:1

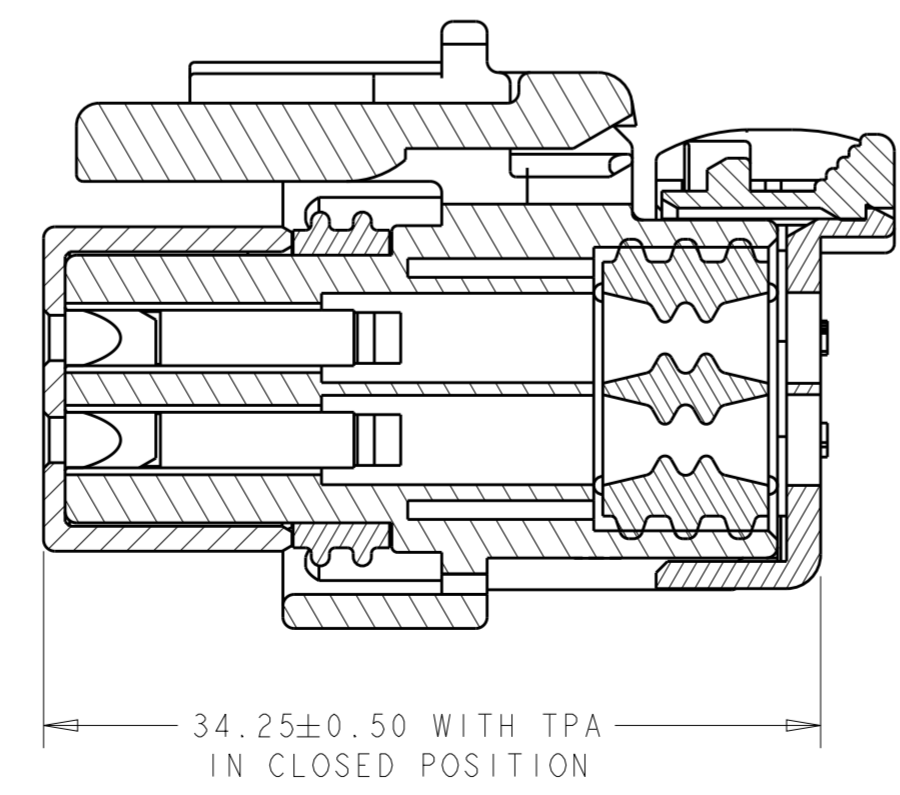


2035378-4
 TAN TPA
 KEY D
 SCALE 2:1



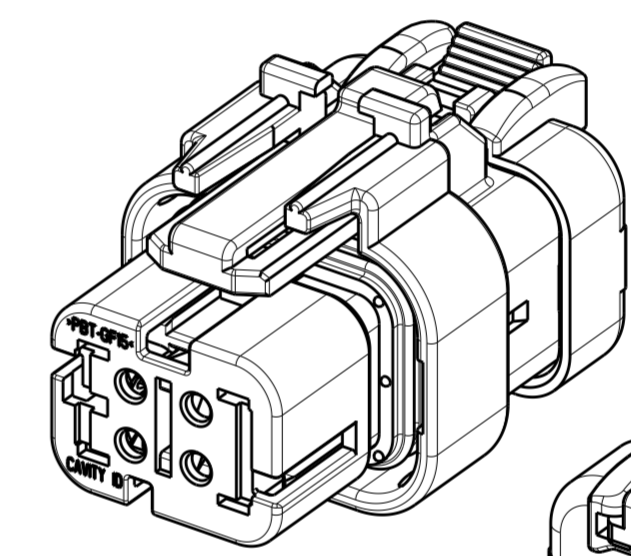
SECTION A - A

2035378-1 SHOWN
 ORANGE TPA
 KEY A

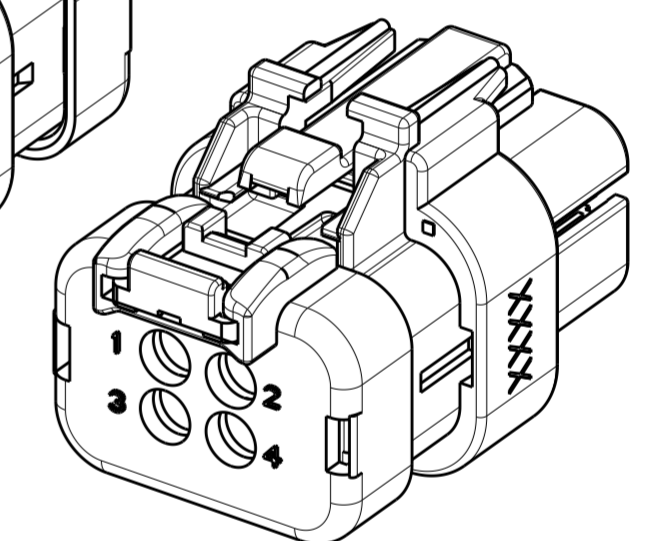


SECTION A - A

- 1 HOUSING AND COVER MATERIAL: 25% GLASS FILLED THERMOPLASTIC, COLOR: NATURAL (BROWN)
- 2 TPA MATERIAL: 20% GLASS FILLED THERMOPLASTIC, COLOR: (SEE TABLE)
- 3 PERIPHERAL SEAL MATERIAL: SILICONE COLOR: TAN
- 4 MATERIAL: 20% GLASS FILLED THERMOPLASTIC, COLOR: ORANGE
- 5 WIRE SEAL MATERIAL: SILICONE COLOR: GREEN
- 6. RECOMMENDED WIRE DIAMETER RANGE IS 2.18 TO 3.67mm



SCALE 2:1



SCALE 2:1

D	TAN	2035378-4
C	BLUE	2035378-3
B	PURPLE	2035378-2
A	ORANGE	2035378-1
KEY	TPA COLOR	PART NUMBER

THIS DRAWING IS A CONTROLLED DOCUMENT.		DWN 10 JUL 2009 RUSTY WORTHINGTON	TE Connectivity	
		CHK 10 JUL 2009 ROGER BALTER		
		APVD 10 JUL 2009 ROGER BALTER	NAME	
DIMENSIONS: mm		PRODUCT SPEC	PLUG ASSEMBLY, 4 POSITION, DUAL ROW, AMPSEAL 16, VO MATERIAL	
TOLERANCES UNLESS OTHERWISE SPECIFIED:		108-2184	RESTRICTED TO	
0 PLC ±		APPLICATION SPEC	SIZE	CAGE CODE
1 PLC ±0.5		114-13065	DRAWING NO	
2 PLC ±0.30		WEIGHT	A200779C-2035378	
3 PLC ±		12.5±1g	SCALE	SHEET
4 PLC ±		Customer Drawing	3:1	OF
ANGLES ±				REV
FINISH -				B