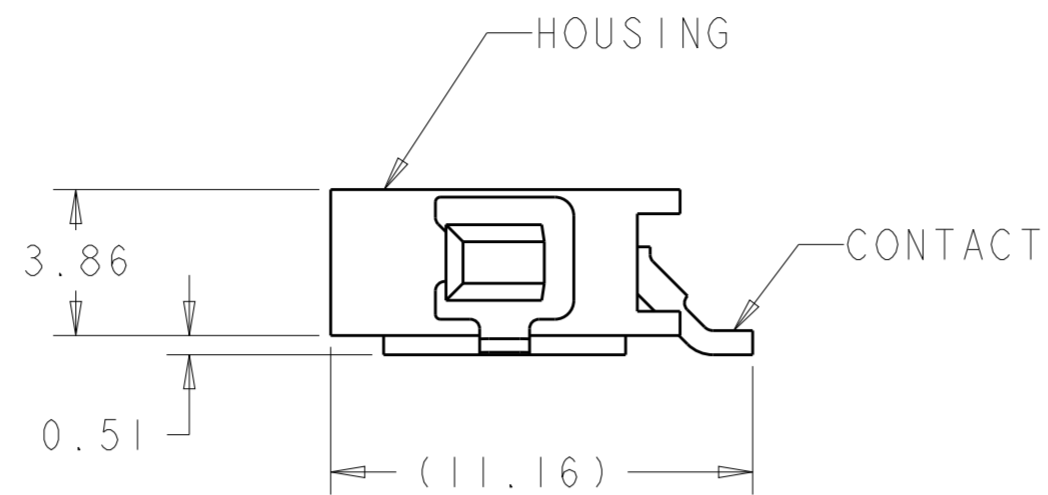
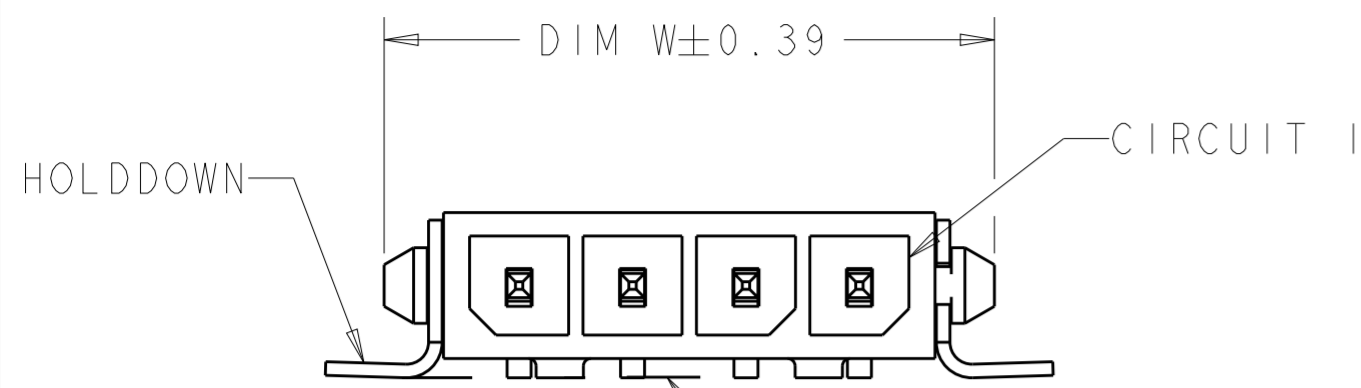
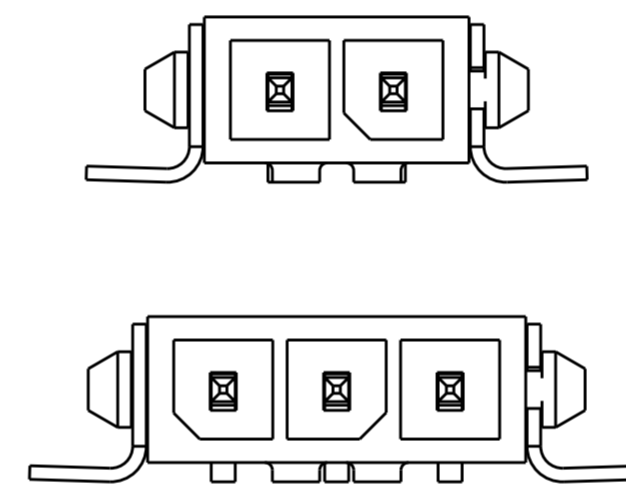
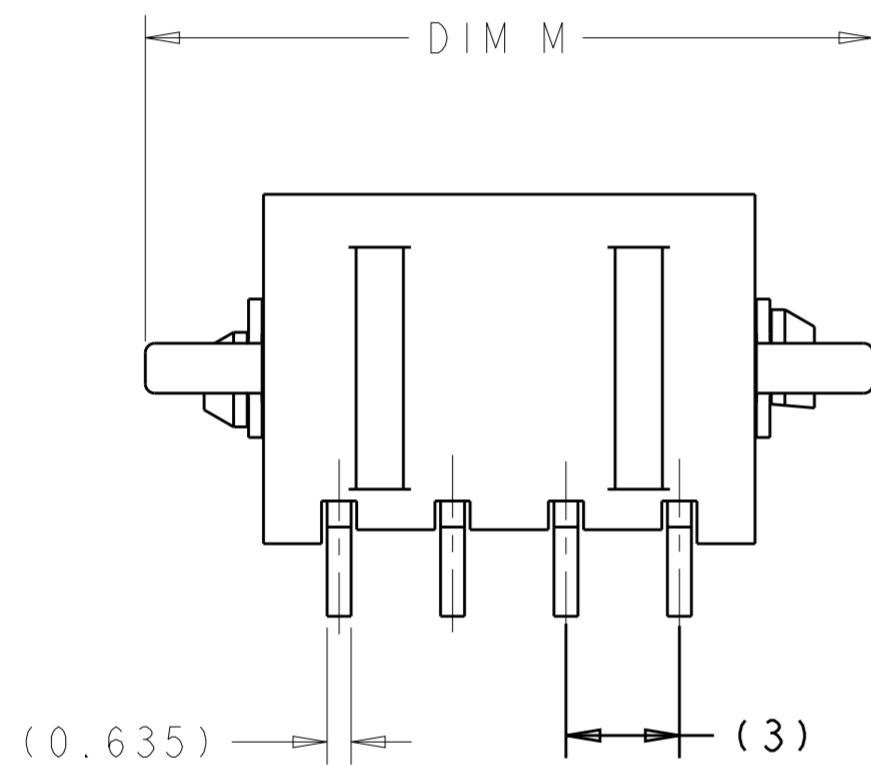


P	LTR	DESCRIPTION	DATE	DWN	APVD
A		WR-08-62	19NOV2008	KW	CJ
AI		ECO-19-006934	06MAY2019	AP	WS

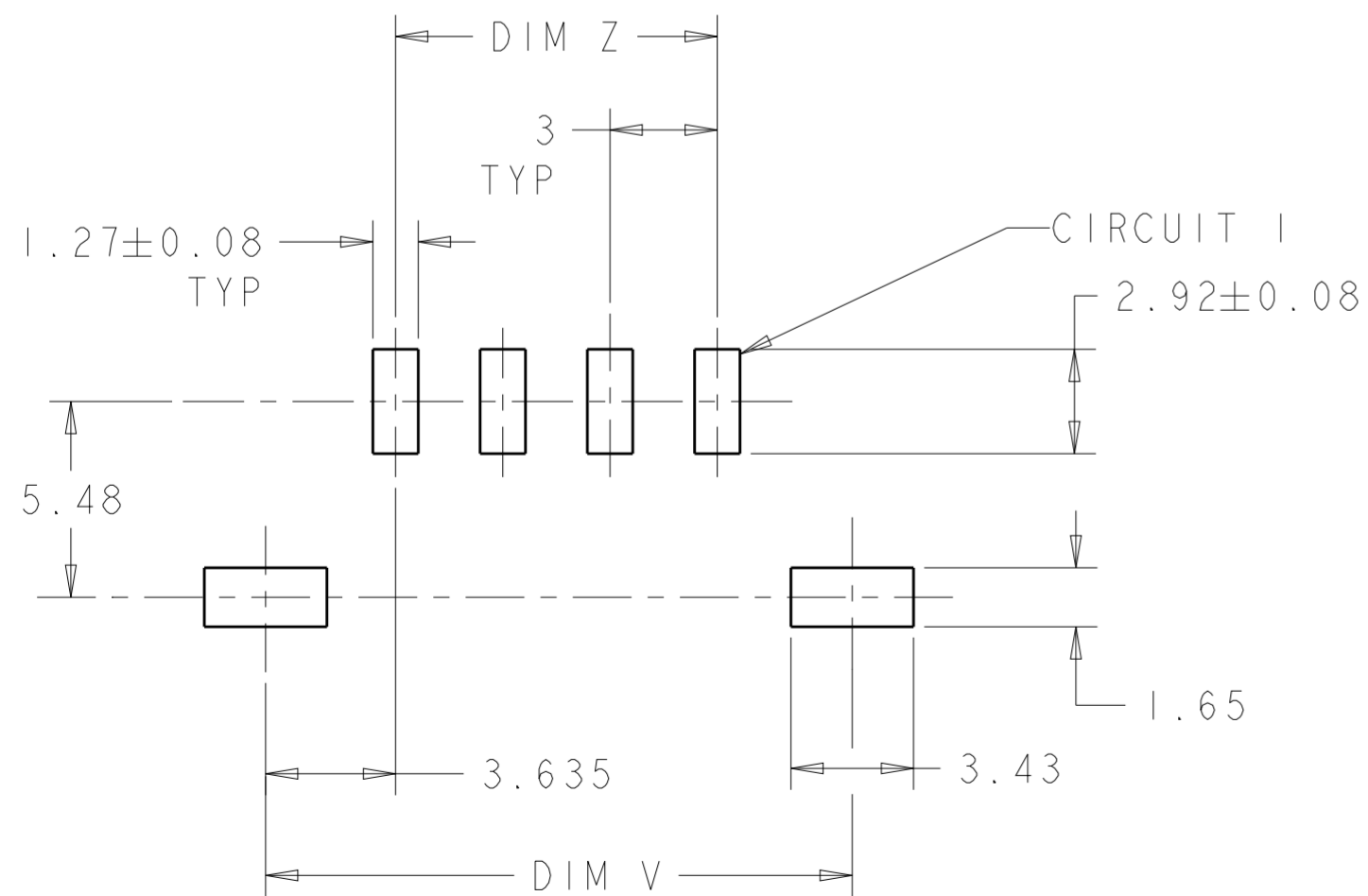


0.15
INCLUDES CONTACT TAILS,
HOUSING STANDOFFS, AND
BOARDLOCKS

- 1 MATERIAL: CONTACTS - BRASS
HOUSING - UL 94V-0 RATED HIGH TEMP NYLON,
COLOR BLACK.
HOLDDOWNS - PHOSPHOR BRONZE.
- 2 PLATING: CONTACTS - 0.76µm MINIMUM GOLD ON MATING END,
2.54µm MINIMUM MATTE TIN ON SOLDER
TAILS, BOTH OVER 1.27µm MINIMUM NICKEL.
HOLDDOWNS - 2.54µm MINIMUM MATTE TIN OVER 1.27µm
MINIMUM NICKEL.
- 3 RECOMMENDED PC BOARD THICKNESS OF 1.57.



KEYING BY POSITION SIZE



PCB LAYOUT COMPONENT SIDE 3

19.25	9	16	16.41	4	2029266-4
16.25	6	13	13.41	3	2029266-3
13.25	3	10	10.41	2	2029266-2
DIM M	DIM Z	DIM W	DIM V	NO. OF POSN	PART NUMBER

THIS DRAWING IS A CONTROLLED DOCUMENT.

DIMENSIONS:	TOLERANCES UNLESS OTHERWISE SPECIFIED:	DWN	19NOV2008	TE Connectivity
mm	0 PLC ±	CHK	K. WHITAKER 19NOV2008	
	1 PLC ±	APVD	C. JONES 19NOV2008	
	2 PLC ±0.13	NAME	C. JONES 19NOV2008	
	3 PLC ±	PRODUCT SPEC	108-1836	RTANG SURF MNT HDR ASSY, SIDE LOCK, 0.76 GOLD, SURF MOUNT HOLDDOWNS, SINGLE ROW, MICRO MATE-N-LOK(TM)
	4 PLC ±	APPLICATION SPEC	114-13000	SIZE CAGE CODE DRAWING NO RESTRICTED TO
	ANGLES ±	WEIGHT	-	A200779 C-2029266
	FINISH	CUSTOMER DRAWING	SCALE 5:1 SHEET OF REV AI	