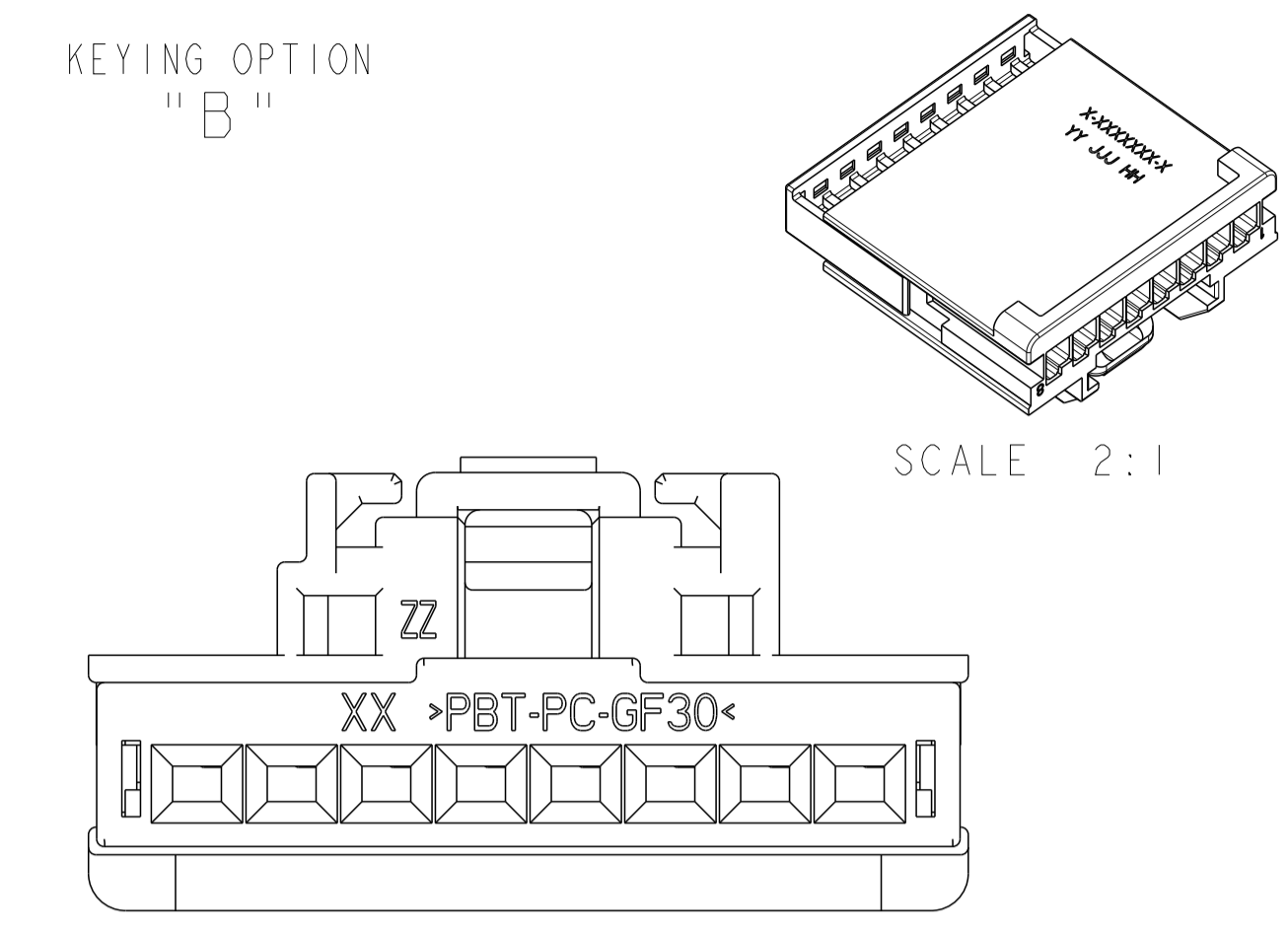
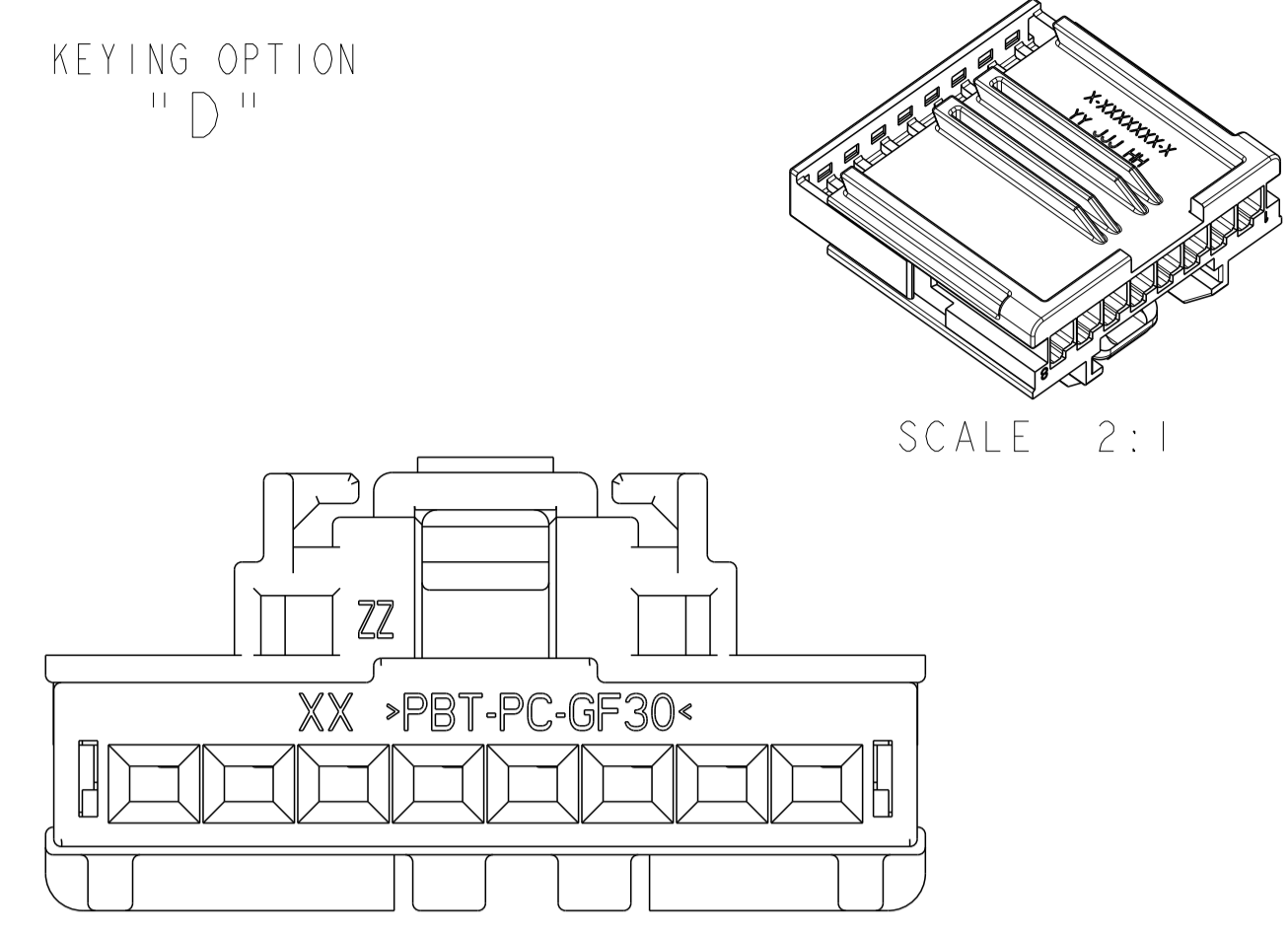
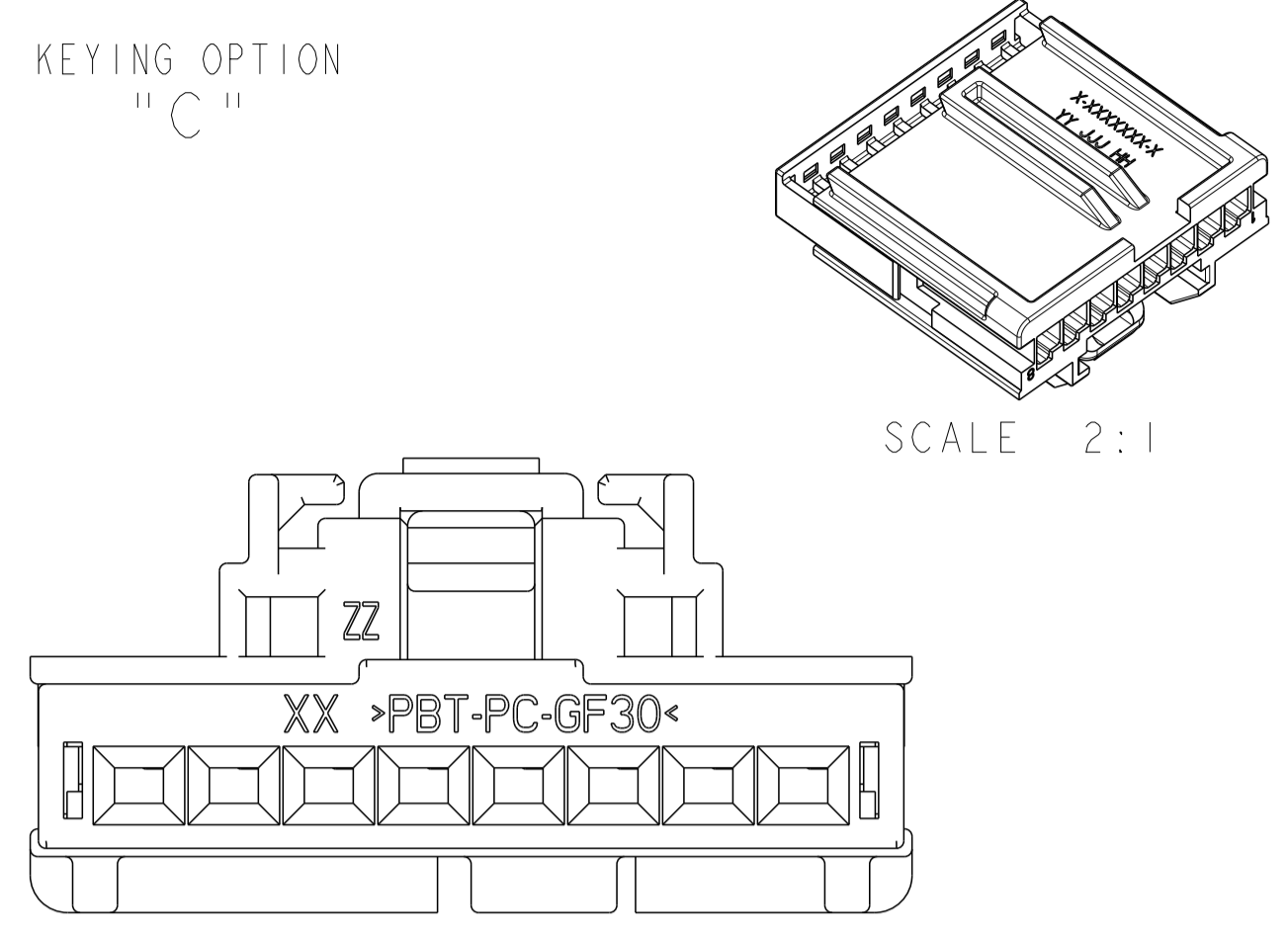
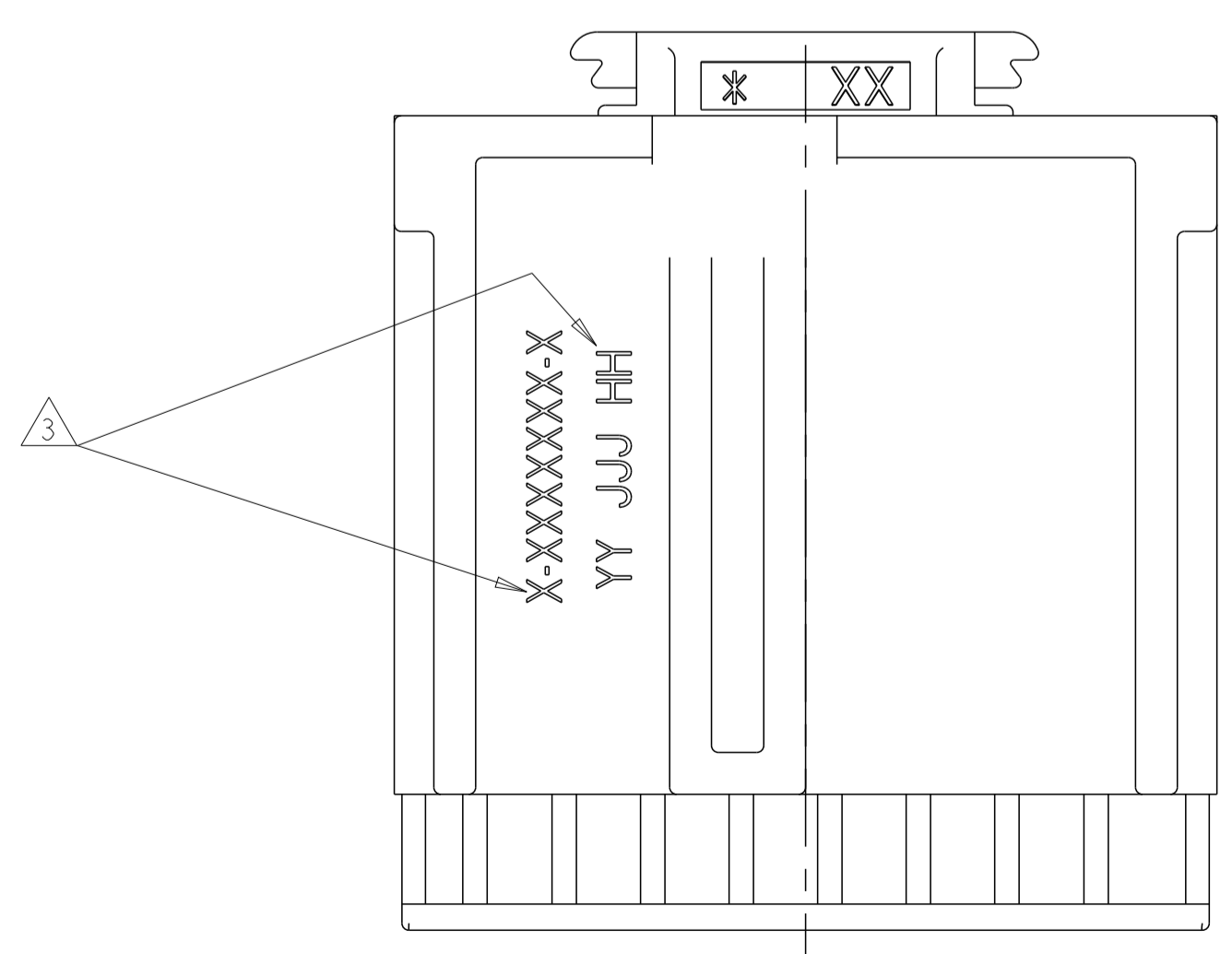
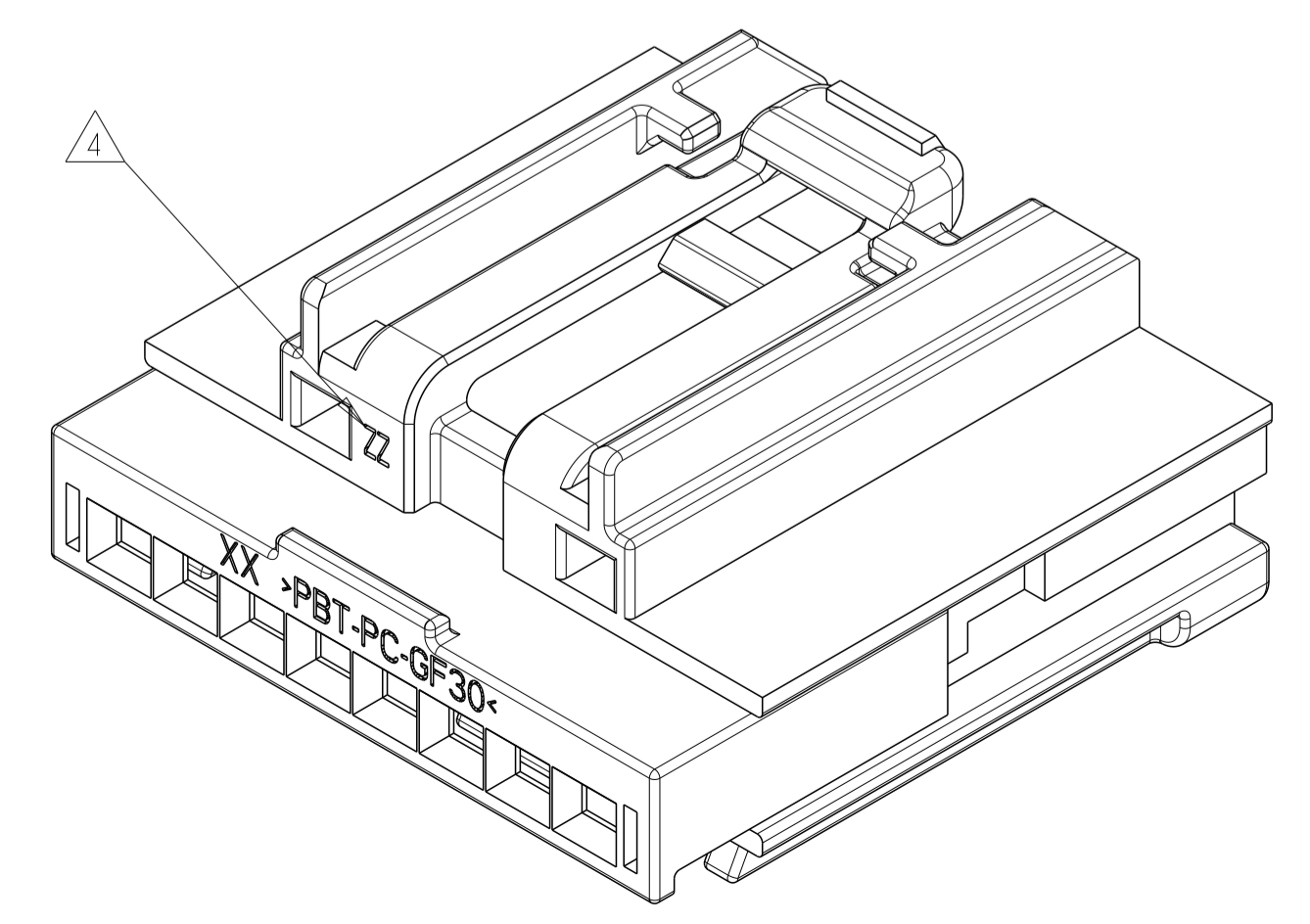
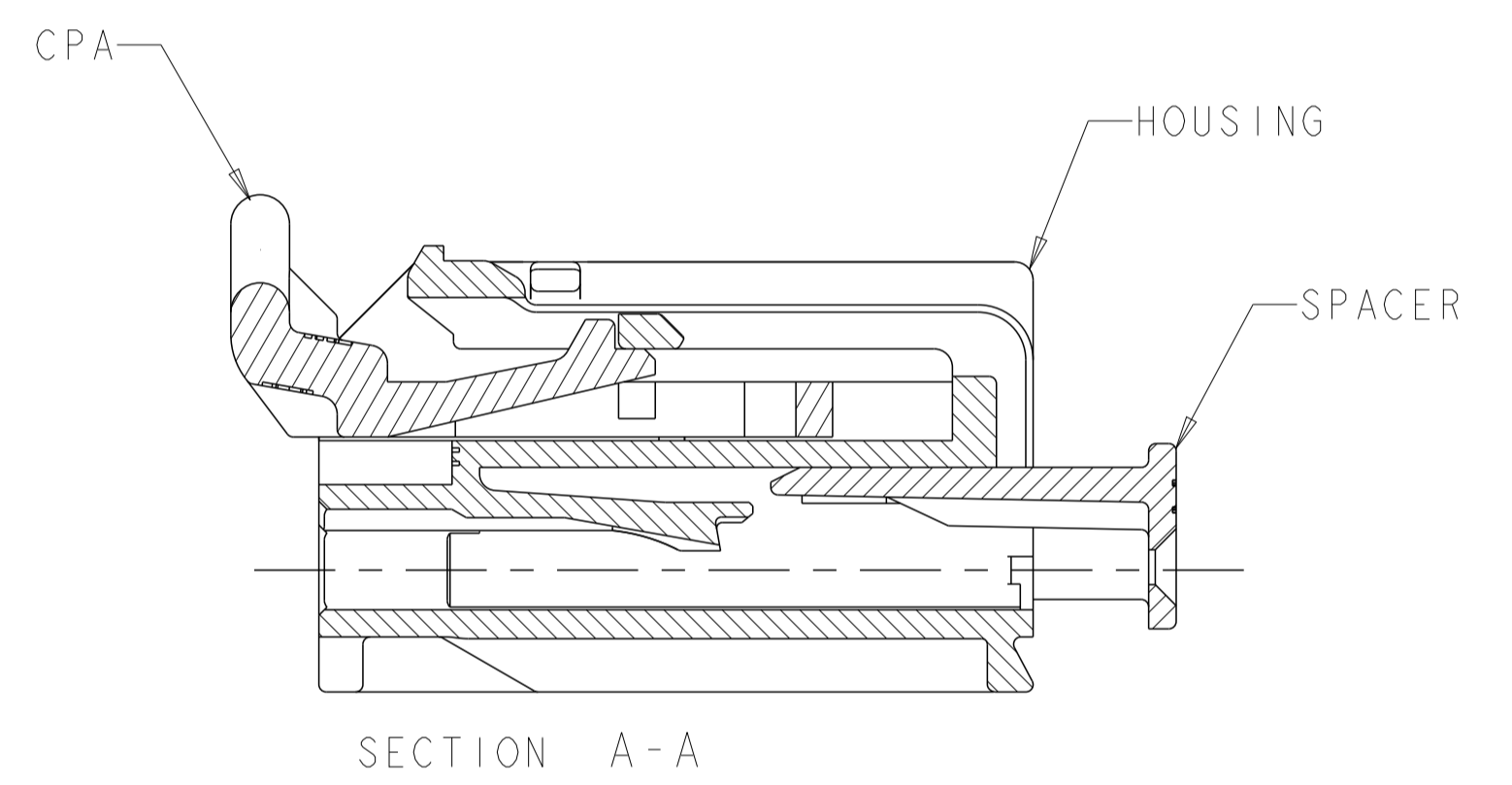
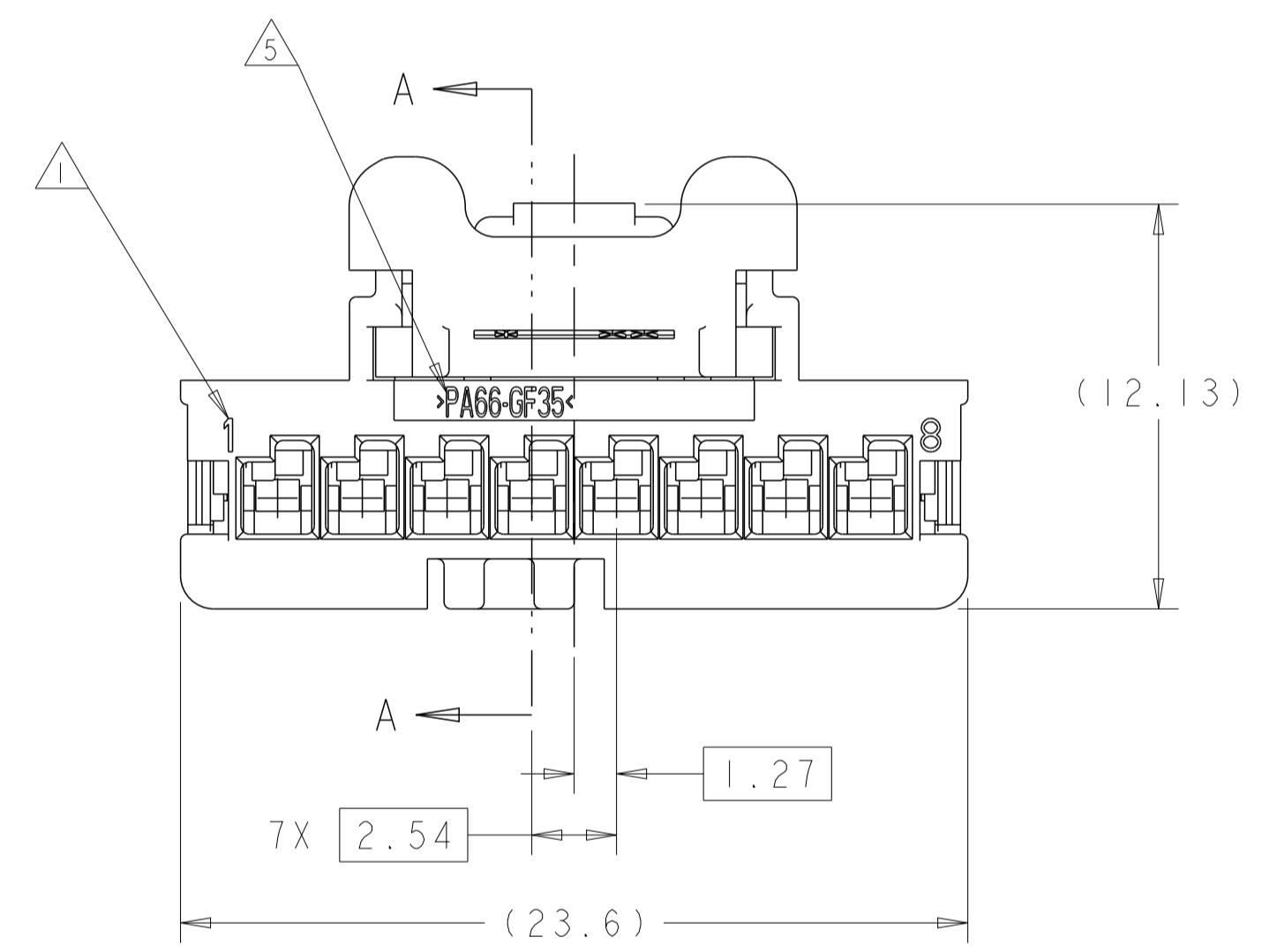
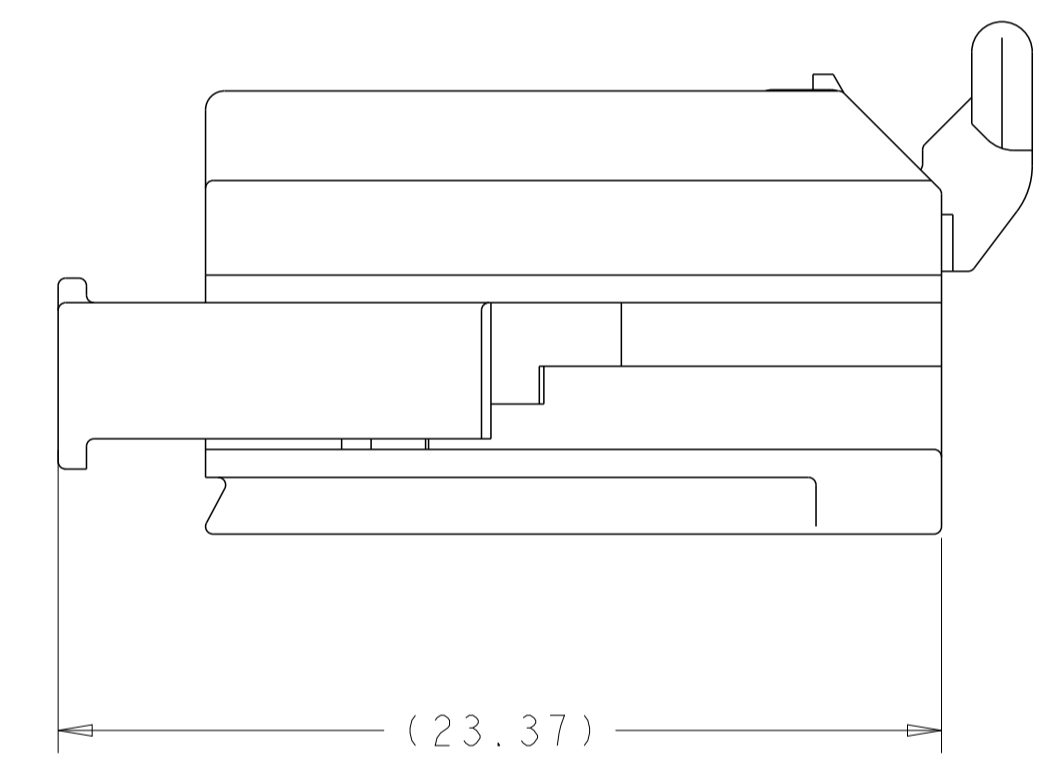
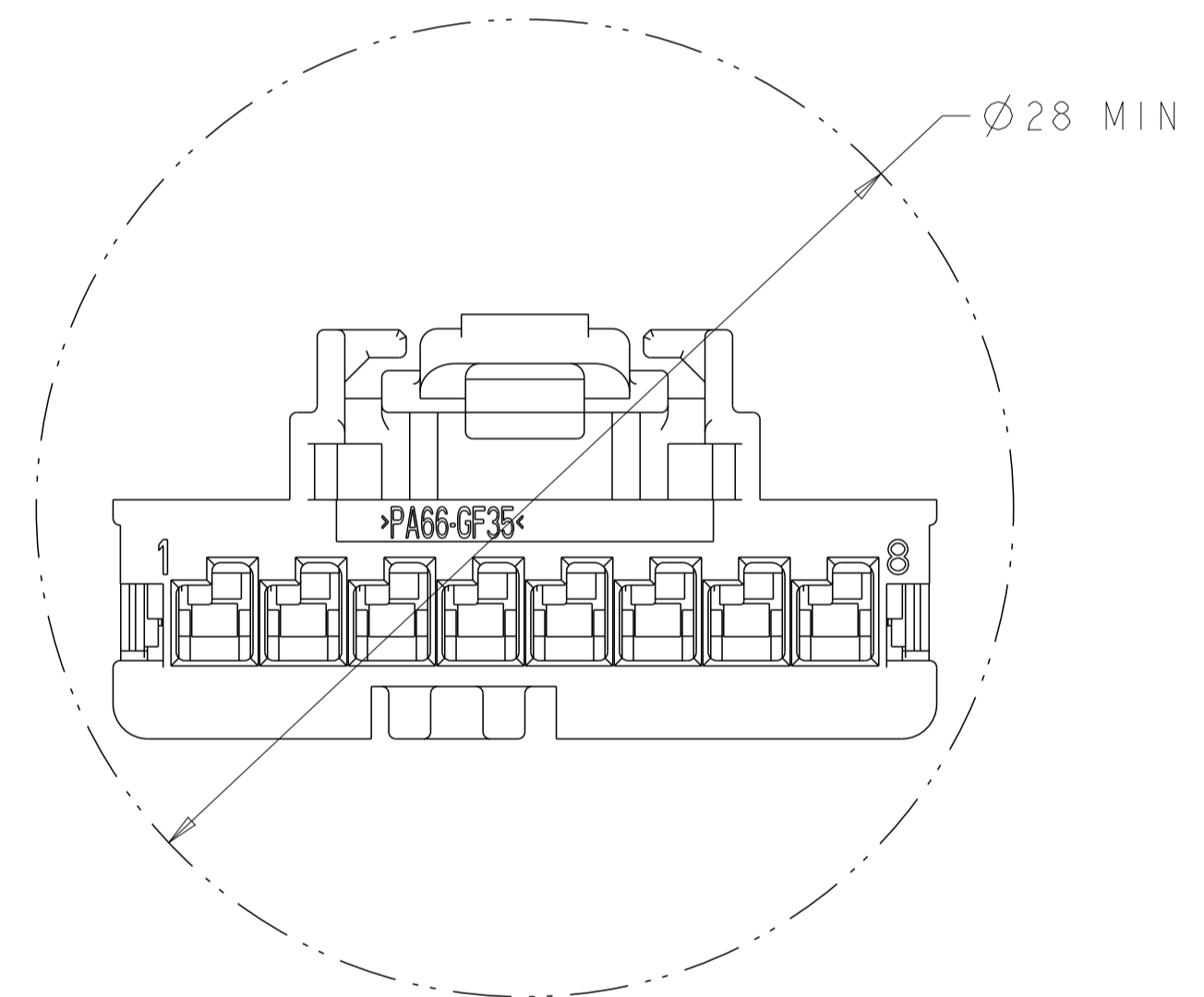


LOC		DIST		REVISIONS			
F	X	P	LTM	DESCRIPTION	DATE	DWN	APVD
	00	A2		REVISED PER ECO-11-010896	31MAY2011	DD	RL
		A3		REVISED PER ECO-11-015077	15SEP2011	DD	RL
		A4		REV PER ECO-17-017583	01DEC2017	KP	CM
		A5		REV PER ECN-23-194075	31JAN2023	SMR	QS



- 1. TERMINAL CAVITY ID.
- 2. SPACER IS SHIPPED IN PRE-ASSEMBLY POSITION.
- 3. TE ASSEMBLY PART NUMBER AND DATE CODE LOCATED ON THIS SURFACE. LOCATION AND ORIENTATION OPTIONAL.
- 4. MOLD CAVITY ID.
- 5. MATERIAL IDENTIFICATION.
- 6. PACKAGING: CONNECTOR ASSEMBLIES BULK PACKED IN CARDBOARD BOX.
- 7. DURING SHIPPING AND HANDLING THE TPA MAY BE DISPLACED TO IT'S LOCKED POSITION. THE CONNECTOR CAN BE RETURNED TO IT'S PROPER FUNCTION USING IS SHEET 408-10104.
- 8. APPLICABLE TERMINAL PART NUMBERS (SOLD SEPARATELY) GOLD APPLICATIONS 1393364 AND 1393365. TIN APPLICATIONS 1393366 AND 1393367 FOR TERMINATION AND REELING OPTIONS, SEE DRAWINGS: 1393364, 1393365, 1393366 AND 1393367.



MATERIAL	COLOR	KEY	MATERIAL	COLOR	MATERIAL	COLOR	PART NUMBER
PBT	RED	"B"	PBT	RED	NYLON	BLACK	1924639-7
PBT	RED	"D"	PBT	RED	NYLON	BLACK	1924639-6
PBT	RED	"C"	PBT	RED	NYLON	BLACK	1924639-5
-	-	"B"	PBT	RED	NYLON	BLACK	1924639-3
-	-	"D"	PBT	RED	NYLON	BLACK	1924639-2
-	-	"C"	PBT	RED	NYLON	BLACK	1924639-1

THIS DRAWING IS A CONTROLLED DOCUMENT.

DIMENSIONS: mm

TOLERANCES UNLESS OTHERWISE SPECIFIED:

0 PLC	±
1 PLC	±
2 PLC	±
3 PLC	±
4 PLC	±
ANGLES	±
FINISH	±

MATERIAL: -

WEIGHT: -

CUSTOMER DRAWING

APVD: D. STRAUSSER

DATE: 10AUG2007

NAME: D. STRAUSSER

PRODUCT SPEC: -

APPLICATION SPEC: -

SIZE: A1

CAGE CODE: 100779

DRAWING NO: C=1924639

RESTRICTED TO: -

SCALE: 5:1

SHEET: 1 OF 1

REV: A5

TE Connectivity

IX8 POSITION, GET FEMALE CONNECTOR ASSEMBLY, UNSEALED, LOW PROFILE LATCH