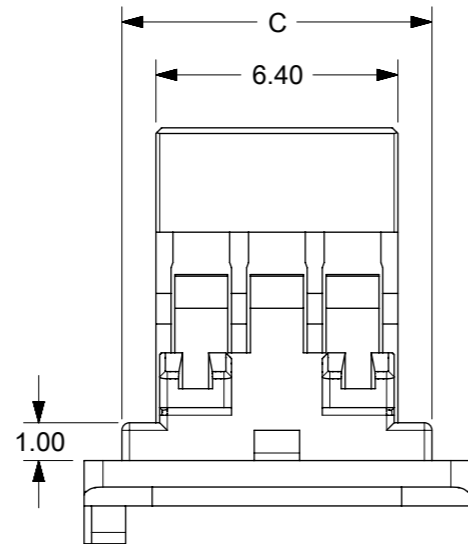
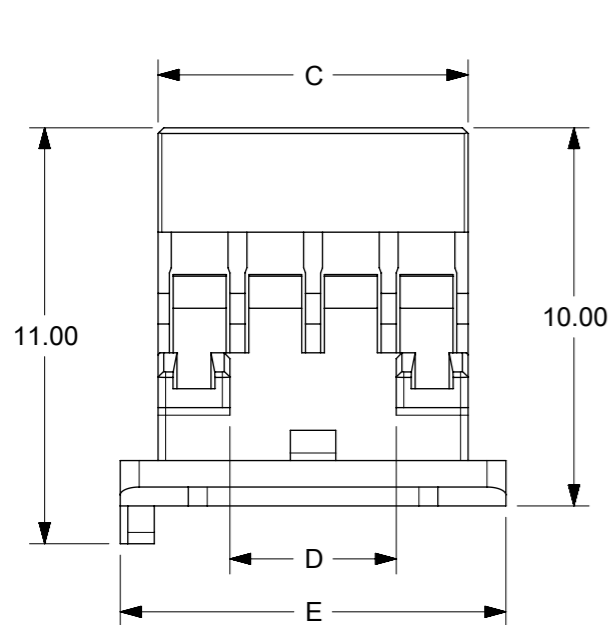
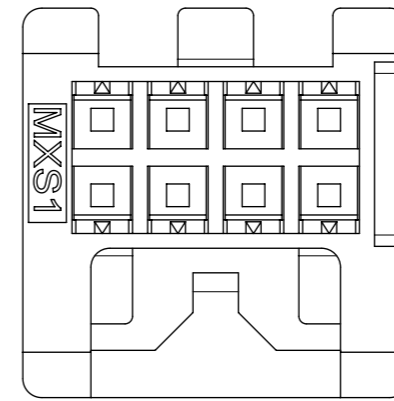
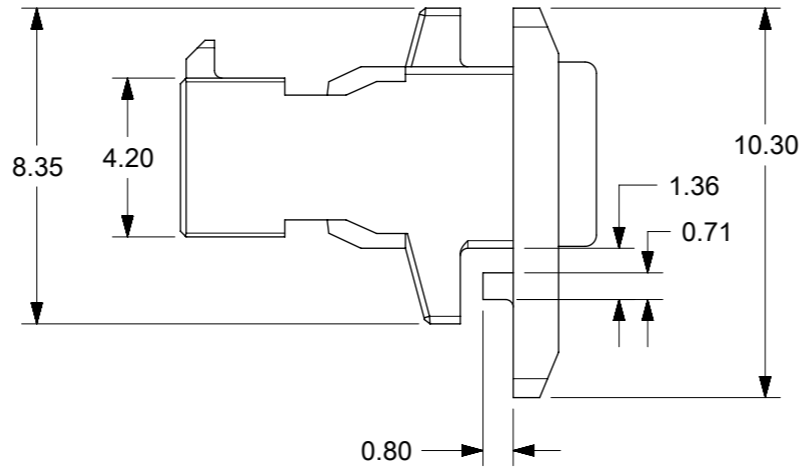
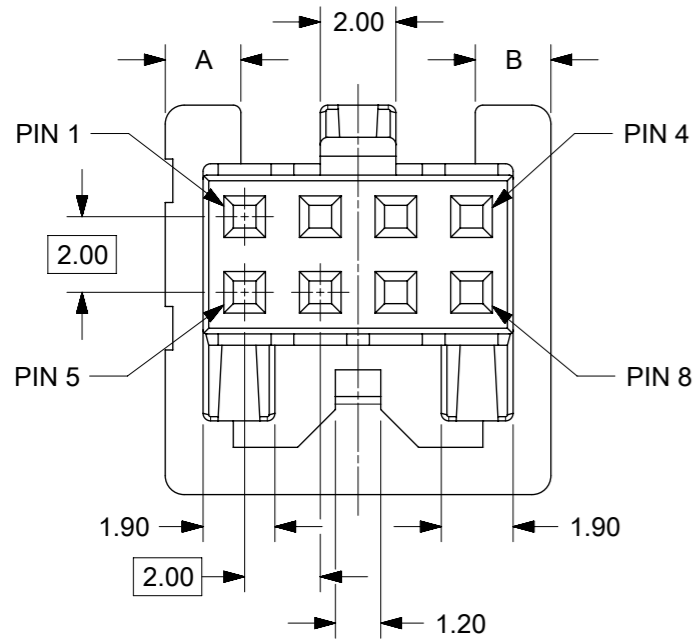


NOTES:

1. MATERIALS: POLYESTER, UL 94V-0, BLACK
2. PRODUCT SPECIFICATION: PS-151014-0001
3. USE FEMALE CRIMP TERMINAL: 503948***
4. APPLICABLE WIRE RANGE: AWG#24-#30
5. PACKAGING: BULK , PK-151014-0001
6. MATES WITH: 151013 SERIES
7. WHEN THIS PRODUCT IS USED AS A BLIND MATING APPLICATION THE SYSTEM LEVEL DESIGN MUST INCORPORATE GUIDANCE SO THE CONNECTORS ARE WITHIN THE CAPTURE ENVELOPE OF THE FLANGES ON THE HEADER OR PLUG HOUSING AND CAN THUS ALIGN THEMSELVES AS THEY COME TOGETHER
8. THIS PART CONFORMS TO CLASS B REQUIREMENTS OF COSMETIC SPEC PS-45499-002
9. USE TOOL NUMBER 638131400 TO REMOVE TERMINAL FROM HOUSING WHEN NECESSARY CAUTION: TERMINALS MUST NOT BE REUSED AFTER REMOVAL.
10. MOLEX LOGO AND CAVITY ID TO BE LOCATED APPROXIMATELY AT SHOWN
11. NON FUNCTIONAL CORING IS SUBJECTED TO CHANGES WITHOUT NOTICE



ADDITIONAL DIMENSION FOR 6CKTS HOUSING

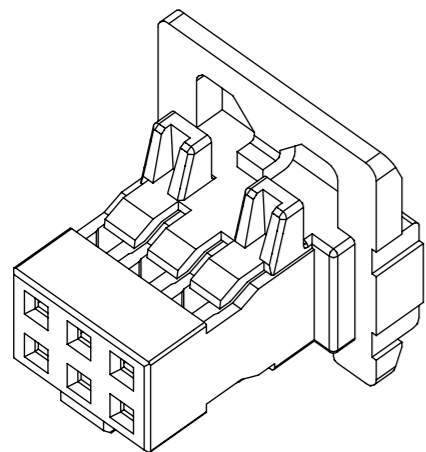
20	8.00	8.00	20.40	16.40	22.20	23.30	2.60	11.70	2.60	11.10	20.90	1510140020	YES
18	7.00	7.00	18.40	14.40	20.20	21.30	2.60	10.70	2.60	10.10	18.90	1510140018	
16	6.00	6.00	16.40	12.40	18.20	19.30	2.60	9.70	2.60	9.10	16.90	1510140016	
14	5.00	5.00	14.60	10.40	16.20	17.30	2.60	8.70	2.60	8.10	14.90	1510140014	
12	4.00	4.00	12.40	8.40	14.20	15.30	2.60	7.70	2.60	7.10	12.90	1510140012	
10	3.00	3.00	10.40	6.40	12.20	13.30	2.60	6.70	2.60	6.10	10.90	1510140010	
8	2.00	2.00	8.20	4.40	10.20	11.20	2.40	5.60	2.50	5.00	8.80	1510140008	
6	2.00	2.00	8.20	2.40	10.20	10.30	2.40	4.80	2.50	5.00	7.00	1510140006	
CKT. NO.	A	B	C	D	E	F	G	H	J	K	L	MATERIAL NO.	TOOLED

THIS DRAWING CONTAINS INFORMATION THAT IS PROPRIETARY TO MOLEX ELECTRONIC TECHNOLOGIES, LLC AND SHOULD NOT BE USED WITHOUT WRITTEN PERMISSION

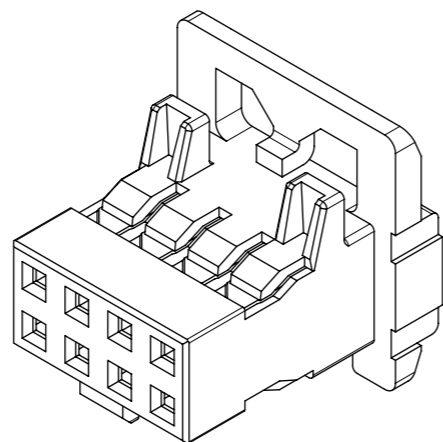
DIMENSION UNITS		SCALE		CURRENT REV DESC: AD MISALIGNMENT		molex	
mm	NTS	INFO		2MM PITCH CRIMP RECEPTACLE HOUSING WITH PANEL MOUNT FEATURE			
GENERAL TOLERANCES (UNLESS SPECIFIED)				PRODUCT CUSTOMER DRAWING			
4 PLACES ±		MM		EC NO: 602949		DOCUMENT NUMBER	
3 PLACES ±		INCH		DRWN: ABABU01 2018/07/31		SD-151014-0001	
2 PLACES ± 0.2				CHK'D: SCS02 2018/08/16		DOC TYPE DOC PART REVISION	
1 PLACE ±				APPR: ISHWARG 2018/08/21		PSD 001 A1	
0 PLACES ±				INITIAL REVISION:			
ANGULAR TOL ± 3.0°				DRWN: GMENARLY 2015/06/15			
				APPR: KHLIM 2015/06/29			
DRAFT WHERE APPLICABLE MUST REMAIN WITHIN DIMENSIONS		THIRD ANGLE PROJECTION		DRAWING		SERIES	
		A3-SIZE		151014		MATERIAL NUMBER	
				SEE TABLE		CUSTOMER	
				GENERAL MARKET		SHEET NUMBER	
				1 OF 4			

9 8 7 6 5 4 3 2 1

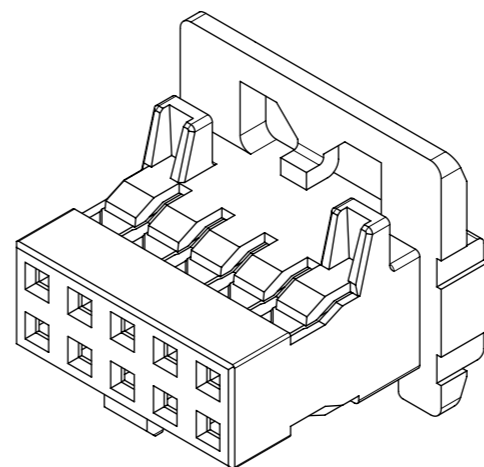
E



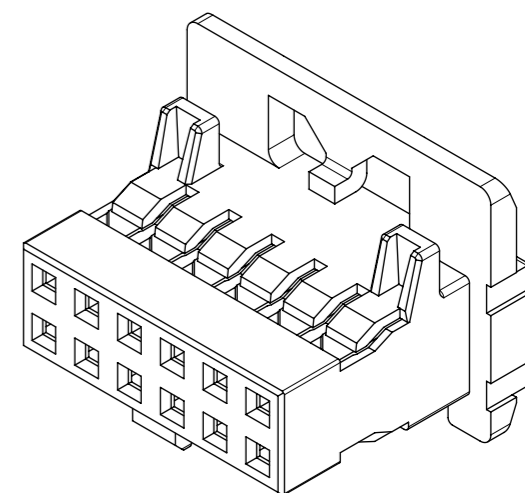
1510140006
6CKTS



1510140008
8CKTS



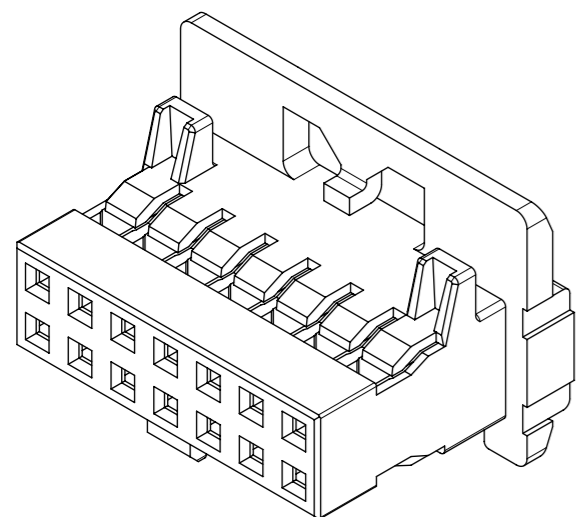
1510140010
10CKTS



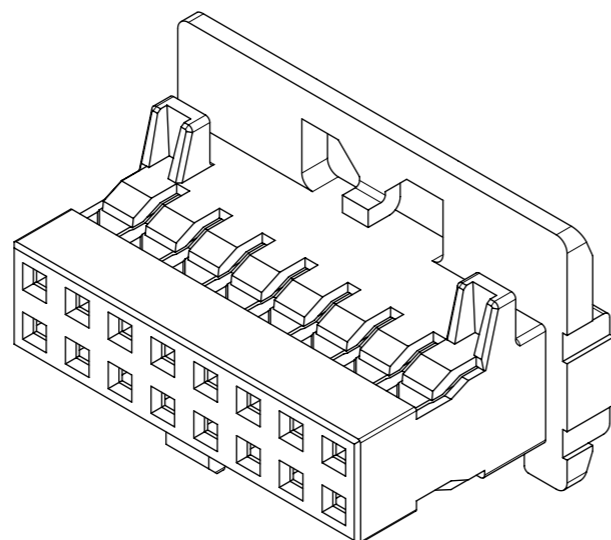
1510140012
12CKTS

D

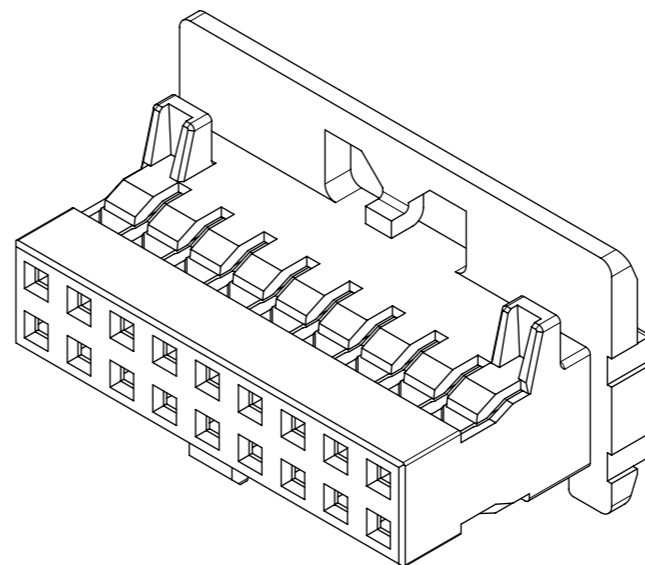
C



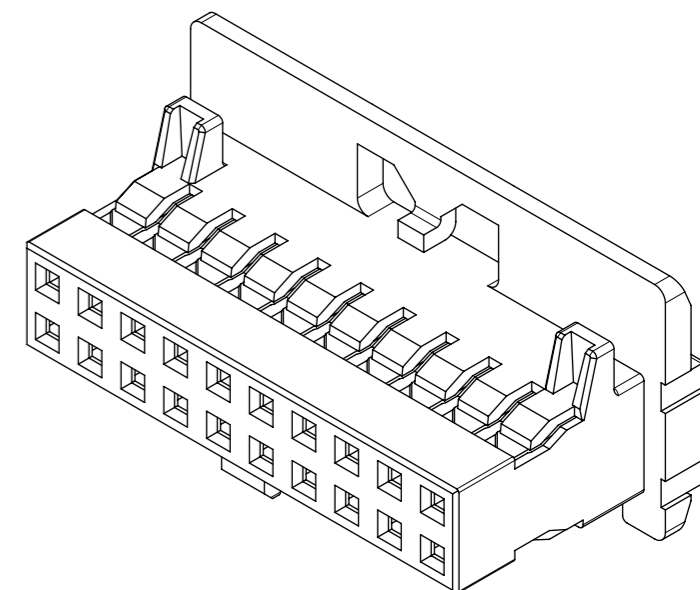
1510140014
14CKTS



1510140016
16CKTS



1510140018
18CKTS



1510140020
20CKTS

B

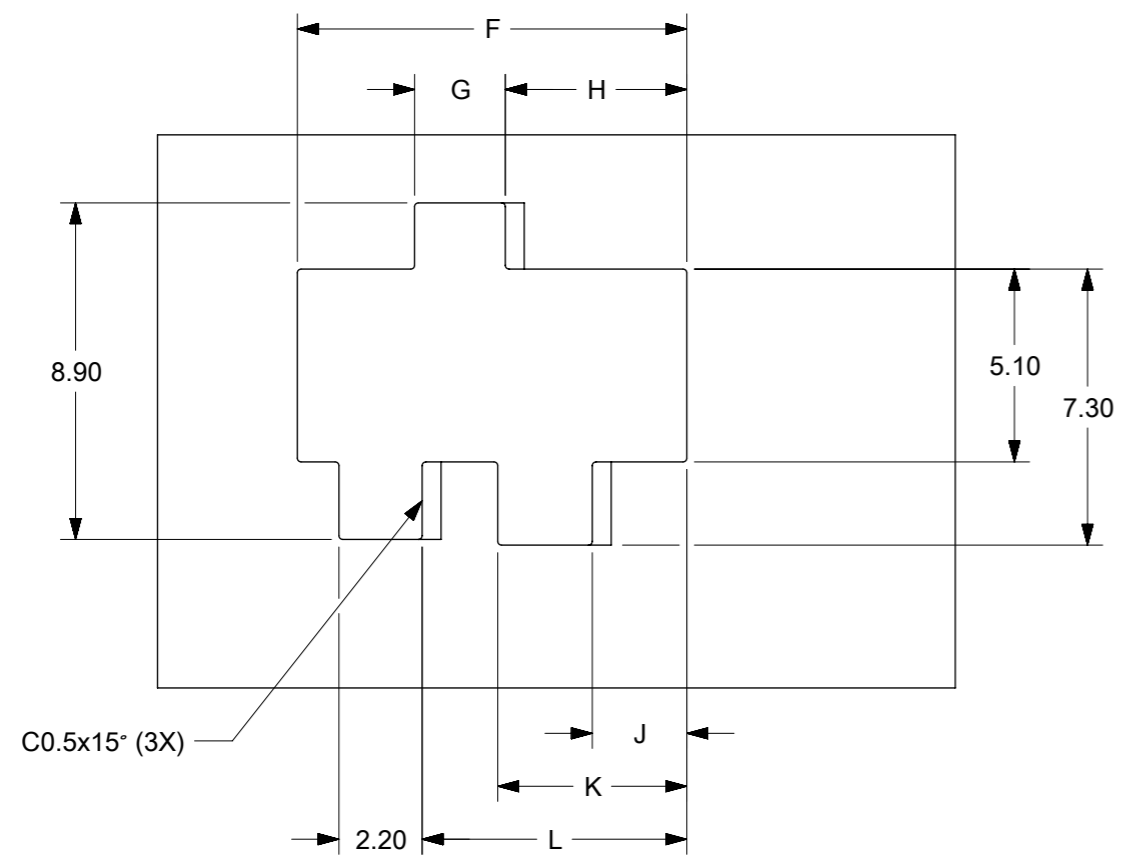
A

THIS DRAWING CONTAINS INFORMATION THAT IS PROPRIETARY TO MOLEX ELECTRONIC TECHNOLOGIES, LLC AND SHOULD NOT BE USED WITHOUT WRITTEN PERMISSION									
DIMENSION UNITS		SCALE		CURRENT REV DESC: AD MISALIGNMENT INFO					
mm		NTS							
GENERAL TOLERANCES (UNLESS SPECIFIED)									
		MM		INCH					
4 PLACES		±		±		EC NO: 602949			
3 PLACES		±		±		DRWN: ABABU01 2018/07/31			
2 PLACES		± 0.2		±		CHK'D: SCS02 2018/08/16			
1 PLACE		±		±		APPR: ISHWARG 2018/08/21			
0 PLACES		±		±		INITIAL REVISION:			
ANGULAR TOL		± 3.0°		±		DRWN: GMENARLY 2015/06/15			
DRAFT WHERE APPLICABLE MUST REMAIN WITHIN DIMENSIONS				THIRD ANGLE PROJECTION		DRAWING		SERIES	
						A3-SIZE		151014	
DOCUMENT NUMBER		DOC TYPE		DOC PART		REVISION			
SD-151014-0001		PSD		001		A1			
MATERIAL NUMBER		CUSTOMER		SHEET NUMBER					
SEE TABLE		GENERAL MARKET		2 OF 4					

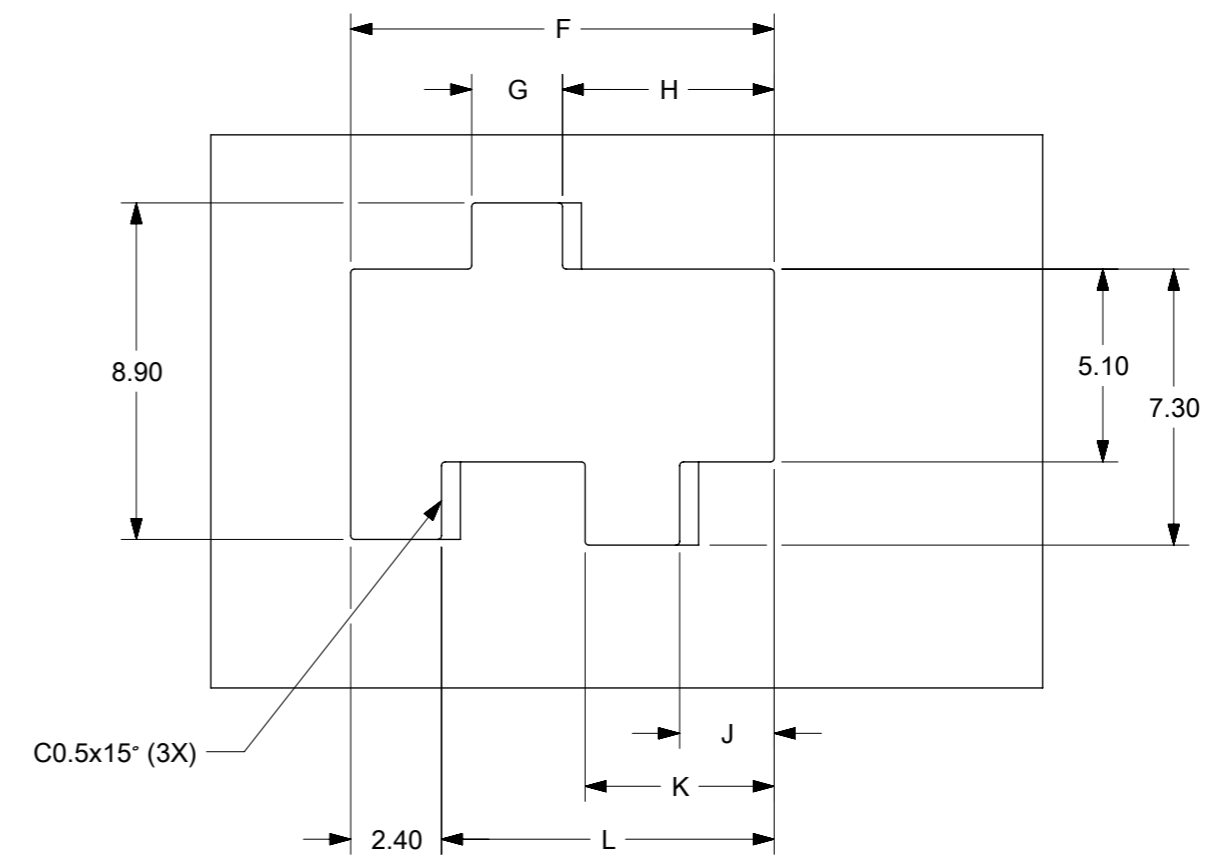
DOCUMENT STATUS	P1	RELEASE DATE	2018/08/21	05:12:38
-----------------	----	--------------	------------	----------

9 8 7 6 5 4 3 2 1

FORMAT: Mel-lega-master-ib-prod-A3
REVISION: D
DATE: 2018/01/18

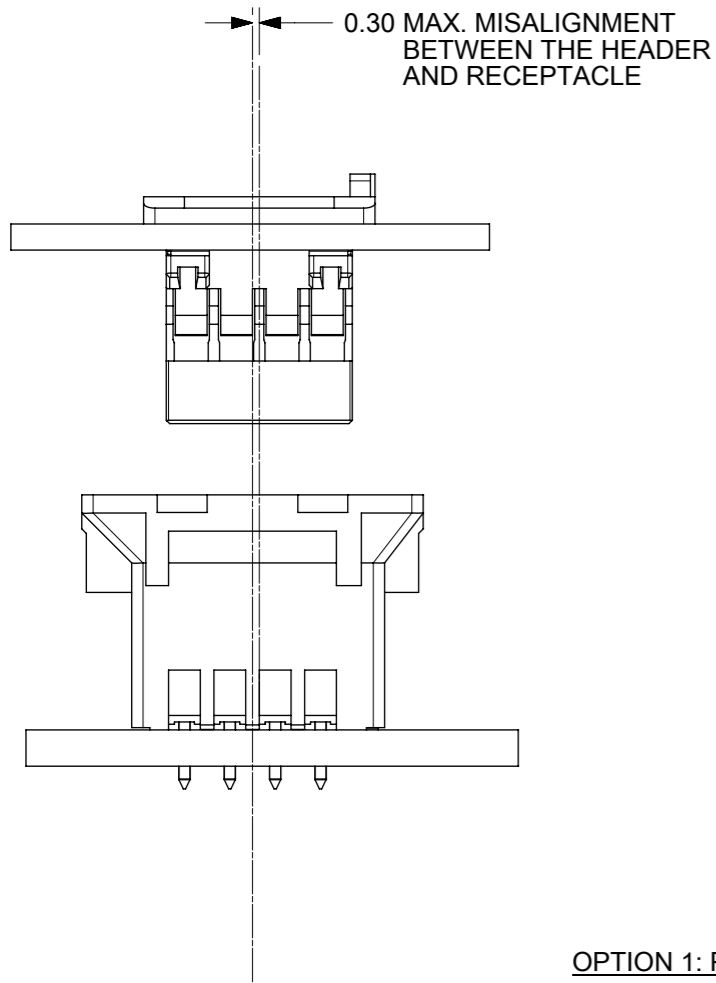


RECOMMENDED PANEL TOLERANCE ±0.10
 THICKNESS 1.15 ±0.10
 FOR 6 CIRCUITS

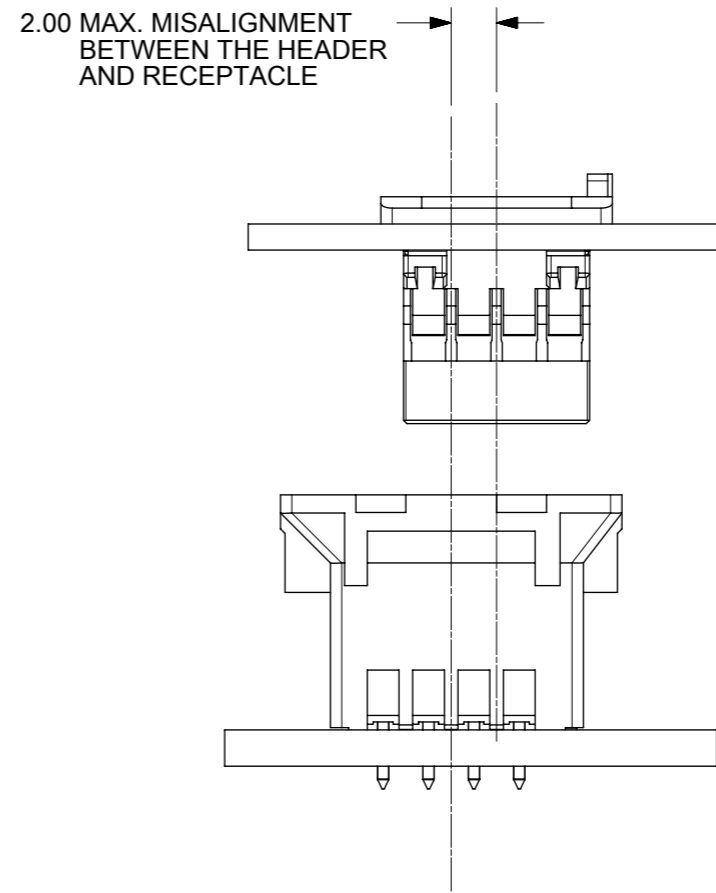
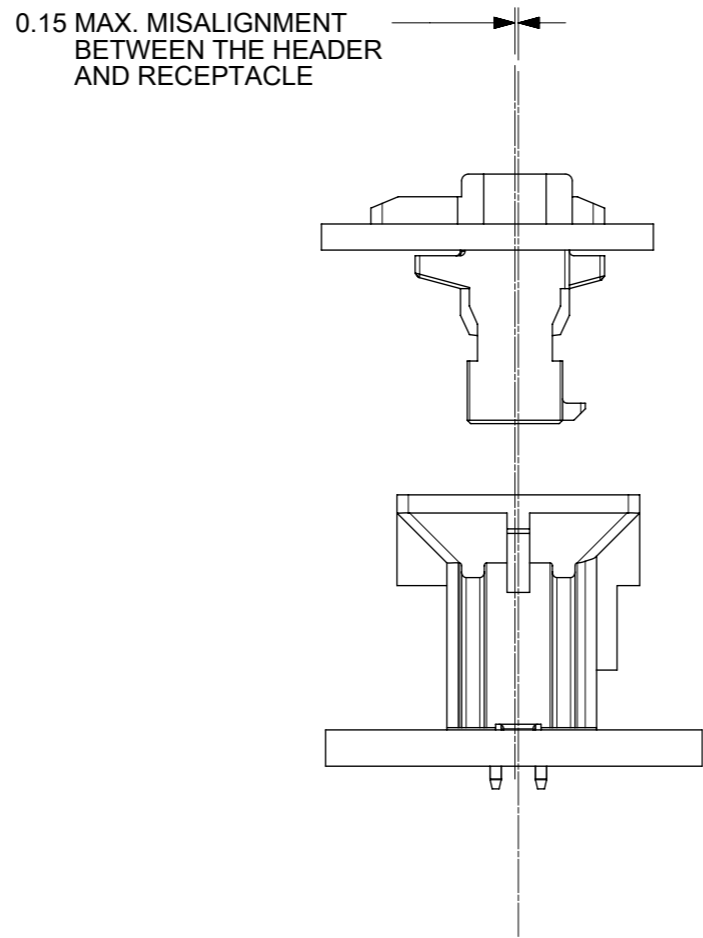


RECOMMENDED PANEL TOLERANCE ±0.10
 THICKNESS 1.15 ±0.10
 FOR 8, 10, 12, 14, 16, 18 AND 20 CKTS

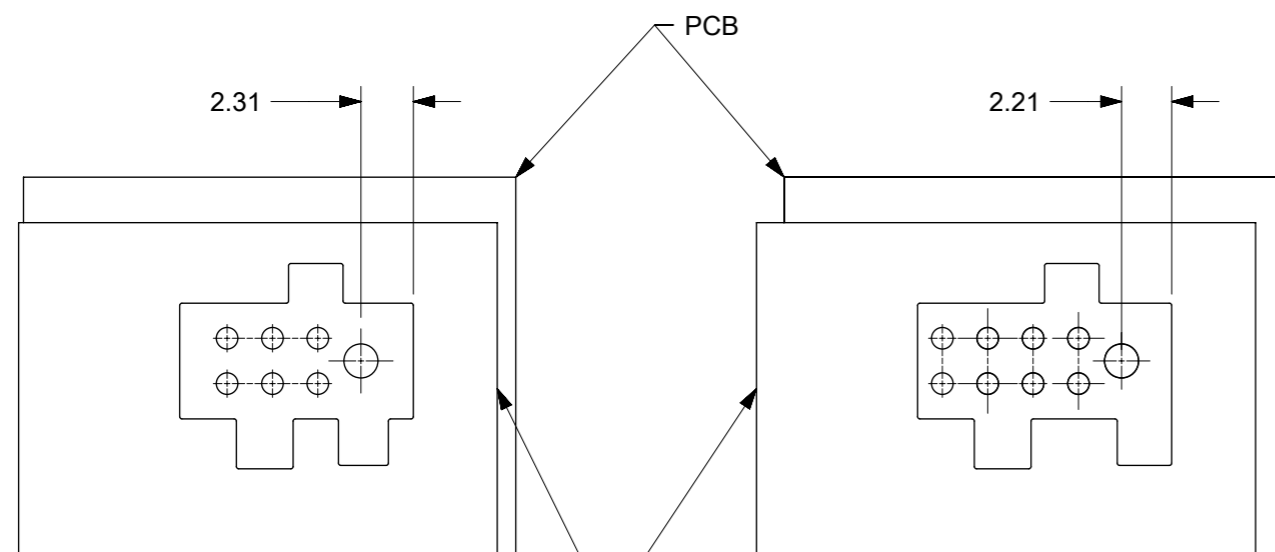
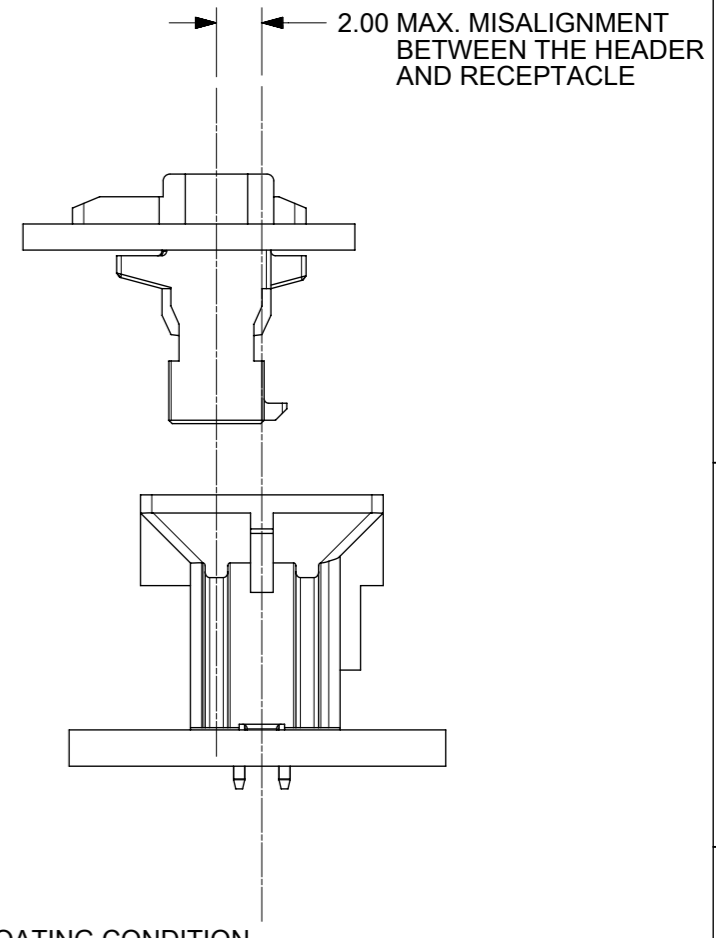
THIS DRAWING CONTAINS INFORMATION THAT IS PROPRIETARY TO MOLEX ELECTRONIC TECHNOLOGIES, LLC AND SHOULD NOT BE USED WITHOUT WRITTEN PERMISSION											
DIMENSION UNITS		SCALE		CURRENT REV DESC: AD MISALIGNMENT INFO							
mm		NTS									
GENERAL TOLERANCES (UNLESS SPECIFIED)											
		MM		INCH		EC NO: 602949		2018/07/31		DOC TYPE	
4 PLACES		±		±		DRWN: ABABU01		2018/08/16		DOC PART	
3 PLACES		±		±		CHK'D: SCS02		2018/08/21		REVISION	
2 PLACES		± 0.2		±		APPR: ISHWARG		2018/08/21		SD-151014-0001	
1 PLACE		±		±		INITIAL REVISION:		2015/06/15		PSD	
0 PLACES		±		±		DRWN: GMENARLY		2015/06/29		001	
ANGULAR TOL		± 3.0°		±		APPR: KHLIM				A1	
DRAFT WHERE APPLICABLE MUST REMAIN WITHIN DIMENSIONS				THIRD ANGLE PROJECTION		DRAWING		SERIES		MATERIAL NUMBER	
						A3-SIZE		151014		SEE TABLE	
						GENERAL MARKET				SHEET NUMBER	
										3 OF 4	



OPTION 1: PANEL IN FIXED CONDITION



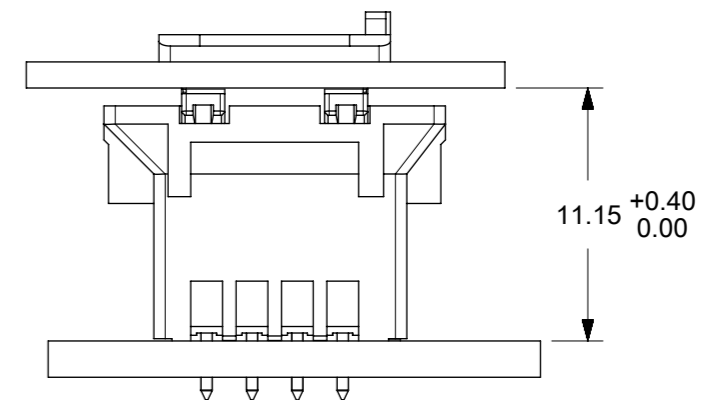
OPTION 2: PANEL IN FLOATING CONDITION



FOR 6CKT

FOR 8-20CKT

PANEL AND PCB ALLIGNMENT



STACK HEIGHT

THIS DRAWING CONTAINS INFORMATION THAT IS PROPRIETARY TO MOLEX ELECTRONIC TECHNOLOGIES, LLC AND SHOULD NOT BE USED WITHOUT WRITTEN PERMISSION										
DIMENSION UNITS		SCALE		CURRENT REV DESC: AD MISALIGNMENT						
mm		NTS		INFO						
GENERAL TOLERANCES (UNLESS SPECIFIED)										
ANGULAR TOL ± 3.0°										
4 PLACES ±										
3 PLACES ±										
2 PLACES ± 0.2										
1 PLACE ±										
0 PLACES ±										
DRAFT WHERE APPLICABLE MUST REMAIN WITHIN DIMENSIONS										
THIRD ANGLE PROJECTION			DRAWING		SERIES		MATERIAL NUMBER		CUSTOMER	
			A3-SIZE		151014		SD-151014-0001		GENERAL MARKET	
EC NO: 602949				DRWN: ABABU01			2018/07/31			
CHK'D: SCS02				APPR: ISHWARG			2018/08/16			
INITIAL REVISION:				DRWN: GMENARLY			2015/06/15			
APPR: KHLIM				APPR: KHLIM			2015/06/29			
DOCUMENT NUMBER				DOC TYPE		DOC PART		REVISION		
SD-151014-0001				PSD		001		A1		
SHEET NUMBER				4 OF 4						