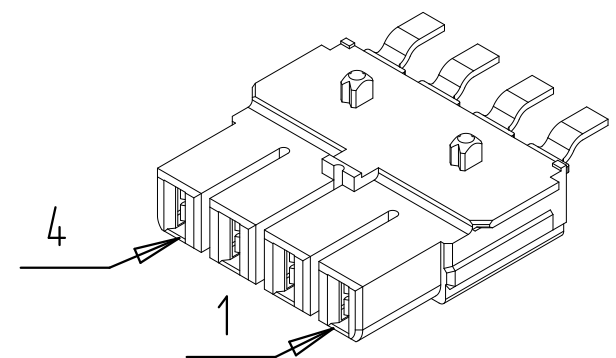
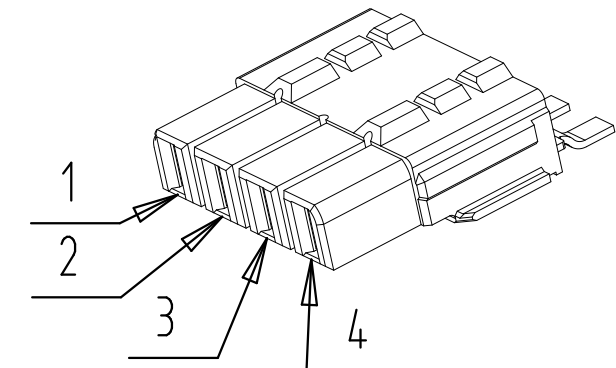
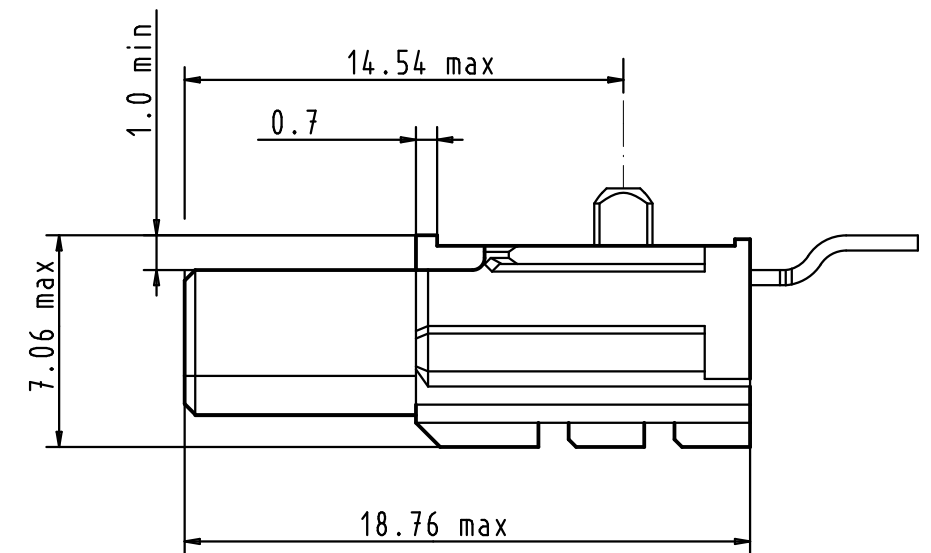
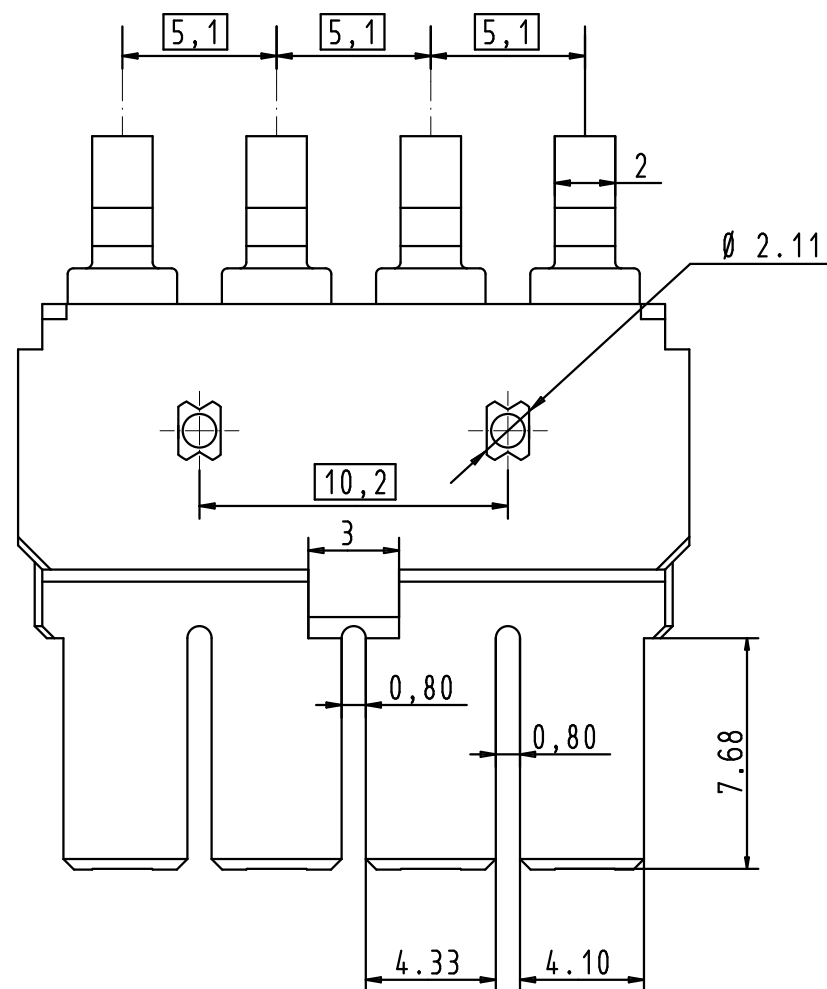
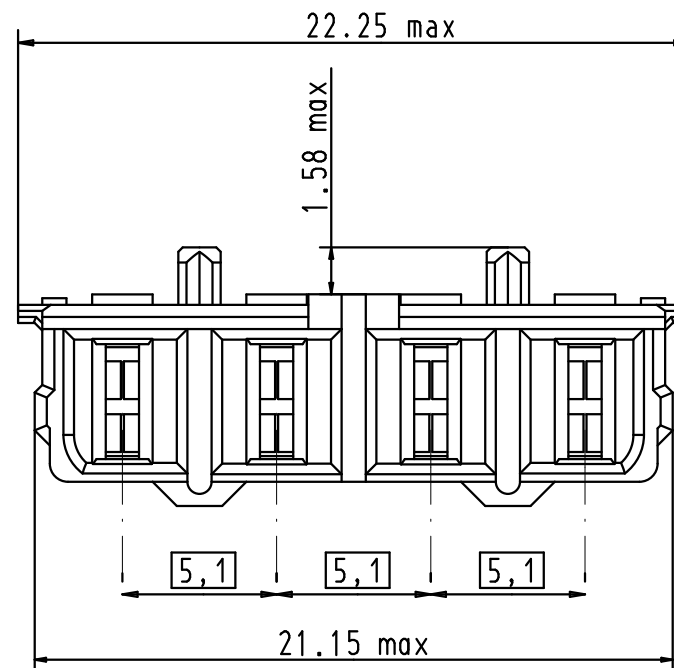
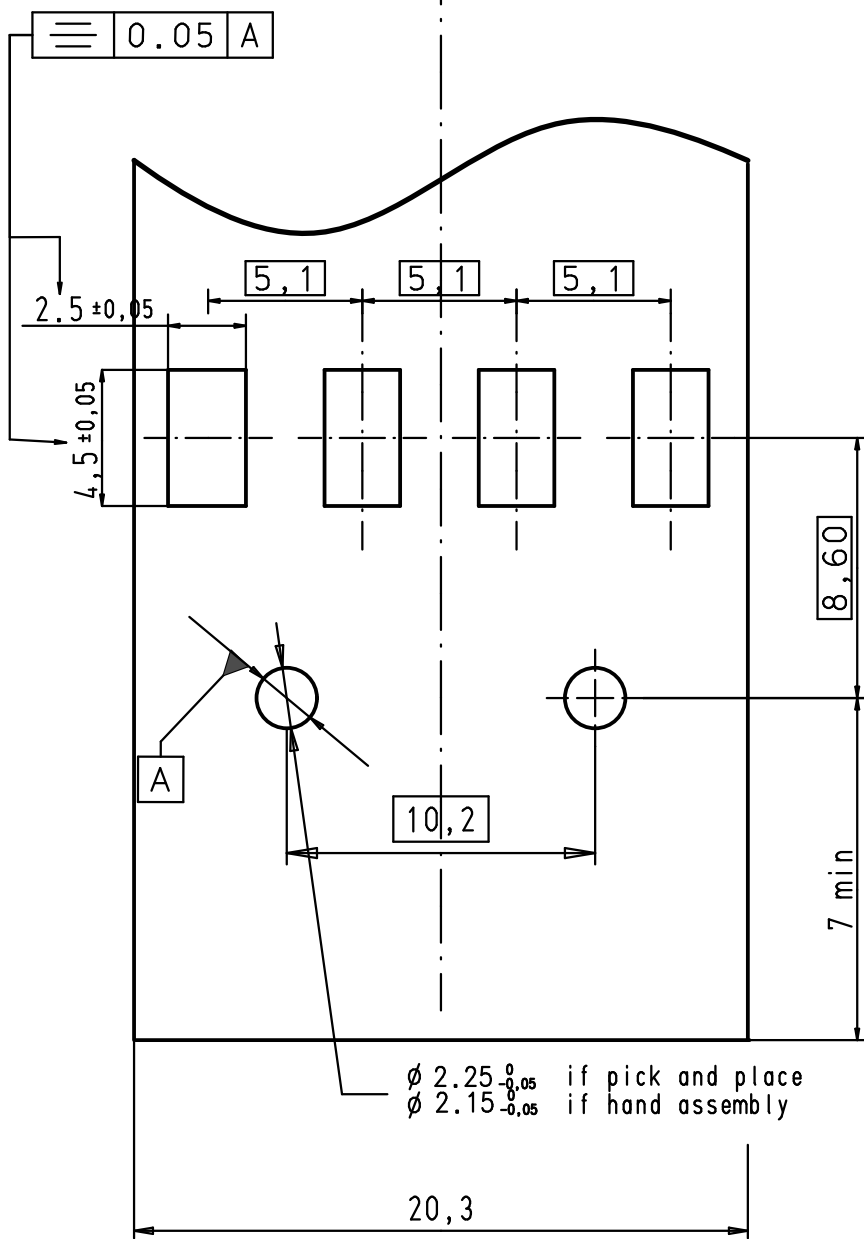
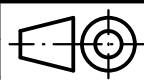



recommended
PCB power layout (SMD)
scale 4:1



- 1) high temperature plastic material ; UL94 V0
- 2) the SMD power module is lead free reflow process compatible
- 3) 4 x power contacts carry 4 x 16 Amps at 20 'C

part	plating	performance level
power contact	Ag over Ni	1
SMT tines	Sn Pb over Ni	

			Det.	Name	 All Dim. in mm Orig. Size DIN A 4	RJ industrial	MoStab/ Scale	
			Detail.	19/09/03		S.H.	SMD power jack module	4/1
			Insp.	22/02/12		JMV		
			Stand.					
36289	22/02/12	SD	HARTING ELEKTRONIK			 TB 09 45 525 0040	Blatt/ Page	
31543	19/09/03	S.H.	F-95972 Paris					
Mod.	Det.	Name	Sub.					