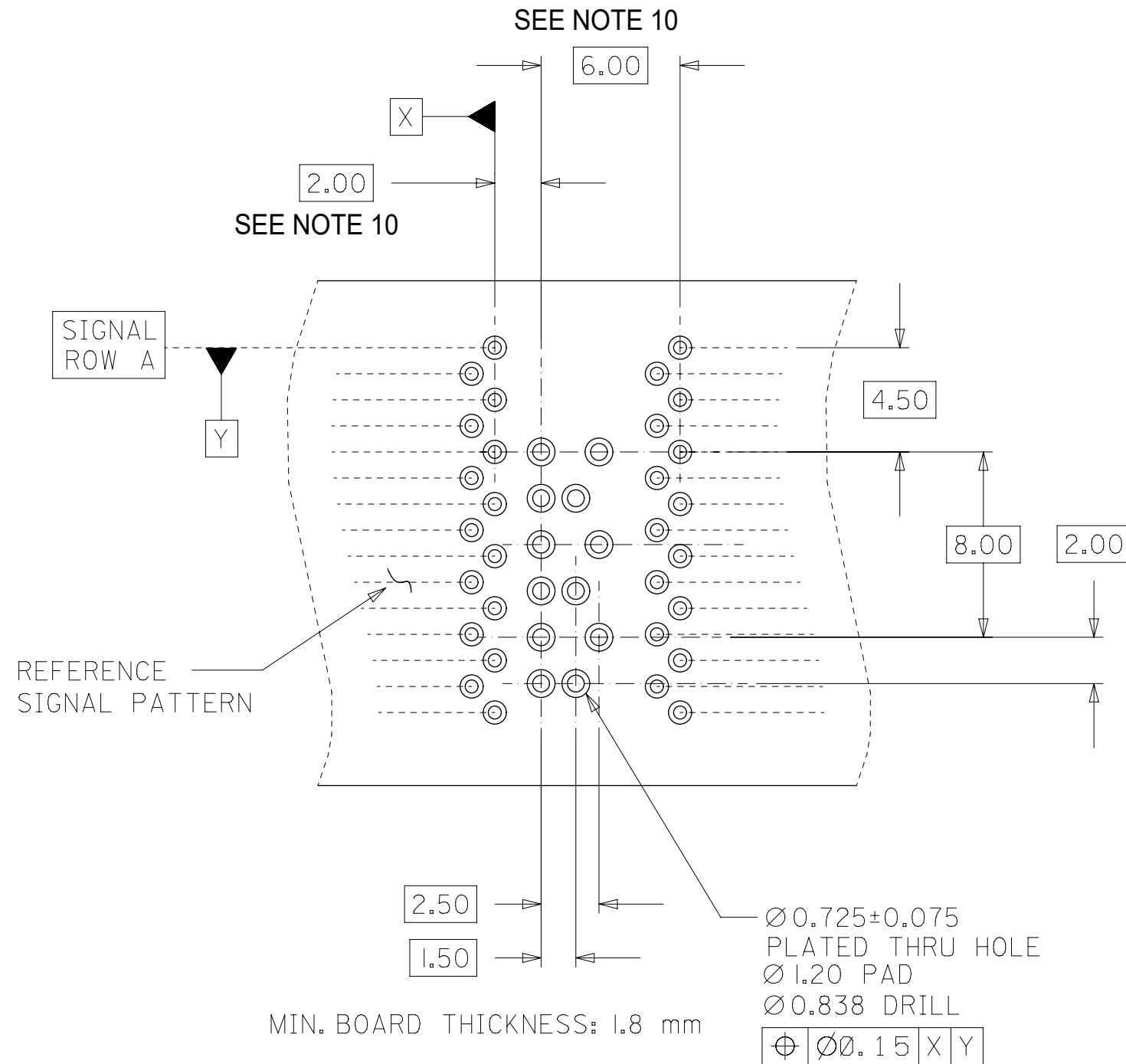


NOTES:

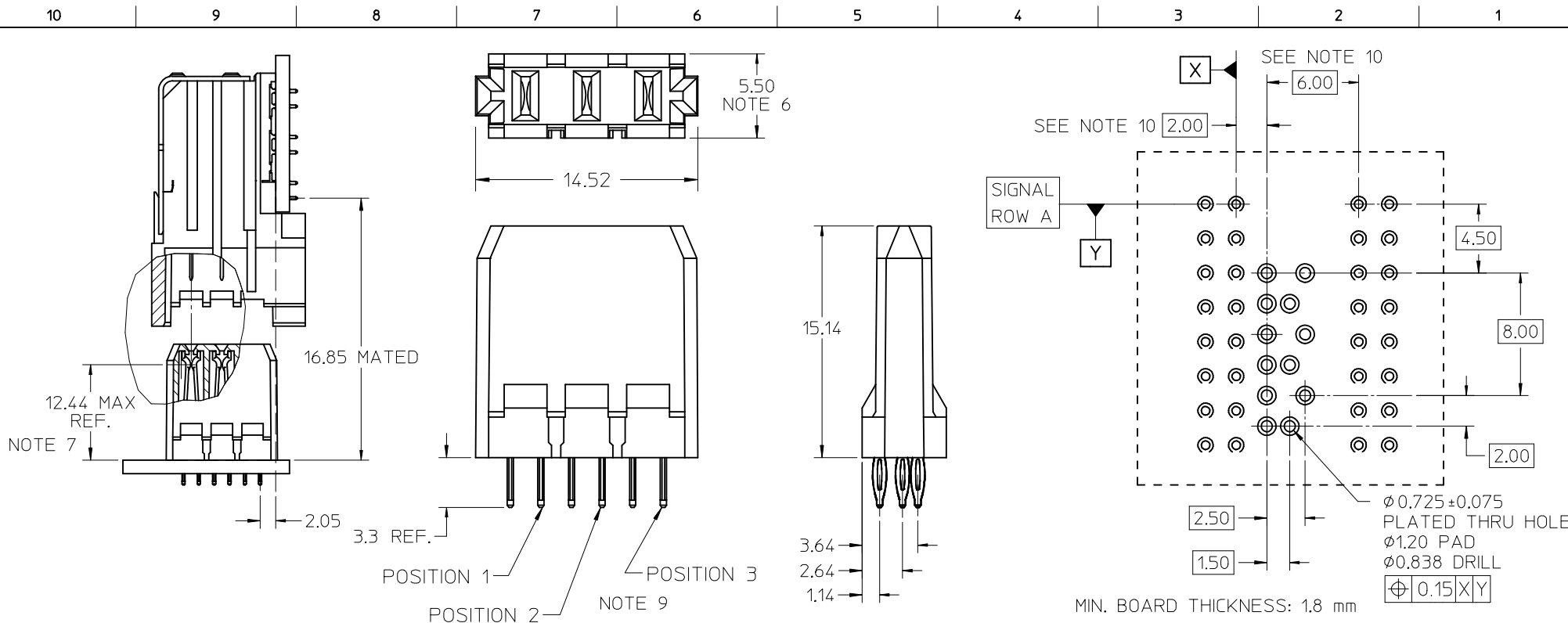
1. MATERIALS:
HOUSING - LIQUID CRYSTAL POLYMER (LCP)
UL94 V-0 RATED, COLOR: BLACK
TERMINAL - COPPER ALLOY
2. FINISH: 30 MICROINCH MINIMUM GOLD ON MATING SURFACE;
MATTE TIN (Sn) ON TAILS; NICKEL OVERALL.
3. FINISH: 50 MICROINCH MINIMUM GOLD ON MATING SURFACE;
MATTE TIN (Sn) ON TAILS; NICKEL OVERALL.
4. FINISH: 50 MICROINCH MINIMUM GOLD ON MATING SURFACE;
TIN / LEAD (Sn/Pb) ON TAILS; NICKEL OVERALL.
5. THIS PART CONFORMS TO PRODUCT SPECIFICATION
PS-74031-999.
6. USE 6.00 mm NOMINAL FOR BACKPLANE LAYOUT.
7. DIMENSION MEASURED FROM BOTTOM OF HOUSING.
8. PACKED PER PK-70873-0876.
9. CONTACT NOT PRESENT AT POSITION ON -84** ASSEMBLIES.
10. THIS DIMENSION TO BE MULTIPLE OF 2.00 mm AS REQUIRED.

MATTE TIN PLATING			
ASSEMBLY #	CONTACT PLATING	OPEN LOC.	# CONTACTS
74029-8000	SEE NOTE 2	N/A	3

THIS DRAWING CONTAINS INFORMATION THAT IS PROPRIETARY TO MOLEX ELECTRONIC TECHNOLOGIES, LLC AND SHOULD NOT BE USED WITHOUT WRITTEN PERMISSION											
DIMENSION UNITS mm		SCALE 4:1		CURRENT REV DESC: OBSOLETE PART NUMBERS				molex		VHDM 8 ROW POWER BACKPLANE SALES DRAWING	
GENERAL TOLERANCES (UNLESS SPECIFIED)				EC NO: 661197 DRWN: SANTHN 2021/02/03 CHK'D: GGA 2021/04/26 APPR: GGA 2021/04/26							
4 PLACES ±		±		INITIAL REVISION:				DOCUMENT NUMBER		DOC TYPE DOC PART REVISION	
3 PLACES ±		±		DRWN: TELO 1998/10/19				SD-74029-002		PSD 001 K1	
2 PLACES ± 0.25		±		APPR: SMILLER 2012/01/20				SEE TABLE		GENERAL MARKET	
1 PLACE ± 0.38		±		SERIES				MATERIAL NUMBER		SHEET NUMBER	
0 PLACES ±		±		B-SIZE				74029		1 OF 2	
ANGULAR TOL ± 0.5°		±		THIRD ANGLE PROJECTION		DRAWING		CUSTOMER			
DRAFT WHERE APPLICABLE MUST REMAIN WITHIN DIMENSIONS		THIRD ANGLE PROJECTION		DRAWING		SERIES		CUSTOMER		SHEET NUMBER	



THIS DRAWING CONTAINS INFORMATION THAT IS PROPRIETARY TO MOLEX ELECTRONIC TECHNOLOGIES, LLC AND SHOULD NOT BE USED WITHOUT WRITTEN PERMISSION													
DIMENSION UNITS		SCALE		CURRENT REV DESC: OBSOLETE PART NUMBERS				molex					
mm		4:1											
GENERAL TOLERANCES (UNLESS SPECIFIED)				EC NO: 661197 DRWN: SANTHN 2021/02/03 CHK'D: GGA 2021/04/26 APPR: GGA 2021/04/26 INITIAL REVISION: DRWN: TELO 1998/10/19 APPR: SMILLER 2012/01/20				PRODUCT CUSTOMER DRAWING					
4 PLACES ±		±						DOCUMENT NUMBER		DOC TYPE		DOC PART	
3 PLACES ±		±						SD-74029-002		PSD		001	
2 PLACES ±		0.25						REVISION		K1			
1 PLACE ±		0.38											
0 PLACES ±		±											
ANGULAR TOL ± 0.5°				THIRD ANGLE PROJECTION		DRAWING		SERIES					
DRAFT WHERE APPLICABLE MUST REMAIN WITHIN DIMENSIONS						B-SIZE		74029					
				MATERIAL NUMBER		CUSTOMER		SHEET NUMBER					
				SEE TABLE		GENERAL MARKET		2 OF 2					



- NOTES:
- MATERIALS:
HOUSING - LIQUID CRYSTAL POLYMER (LCP)
UL94 V-0 RATED, COLOR: BLACK
TERMINAL - COPPER ALLOY
 - FINISH: 30 MICROINCHES MINIMUM GOLD ON MATING SURFACE;
MATTE TIN (Sn) ON TAILS; NICKEL OVERALL.
 - FINISH: 50 MICROINCHES MINIMUM GOLD ON MATING SURFACE;
MATTE TIN (Sn) ON TAILS; NICKEL OVERALL.
 - FINISH: 50 MICROINCHES MINIMUM GOLD ON MATING SURFACE;
TIN / LEAD (Sn/Pb) ON TAILS; NICKEL OVERALL.
 - THIS PART CONFORMS TO PRODUCT SPECIFICATION
PS-74031-999.
 - USE 6.00 mm NOMINAL FOR BACKPLANE LAYOUT.
 - DIMENSION MEASURED FROM BOTTOM OF HOUSING.
 - PACKED PER PK-70873-0876.
 - CONTACT NOT PRESENT AT POSITION ON -84** ASSEMBLIES.
 - THIS DIMENSION TO BE MULTIPLE OF 2.00 mm AS REQUIRED.

TIN / LEAD PLATING				MATTE TIN PLATING			
ASSEMBLY #	CONTACT PLATING	OPEN LOC.	# CONTACTS	ASSEMBLY #	CONTACT PLATING	OPEN LOC.	# CONTACTS
74029-8950	SEE NOTE 4	N/A	3	74029-8000	SEE NOTE 2	N/A	3
				74029-8050	SEE NOTE 3	N/A	3
				74029-8400	SEE NOTE 2	POS. 2	2
				74029-8450	SEE NOTE 3	POS. 2	
				74029-8401	SEE NOTE 2	POS. 1	
				74029-8451	SEE NOTE 3	POS. 1	
				74029-8403	SEE NOTE 2	POS. 3	
				74029-8453	SEE NOTE 3	POS. 3	

ADD LEADED P/N EC NO: UCP2013-0146 DRWNS:VANG01 2012/07/13 CHKD:MMOLFE 2012/07/13 APPR:SMILLER 2012/08/06	QUALITY SYMBOLS	GENERAL TOLERANCES (UNLESS SPECIFIED)	DIMENSION STYLE MM ONLY	SCALE 4:1	DESIGN UNITS METRIC	THIRD ANGLE PROJECTION
	$\nabla F=0$	4 PLACES \pm --- \pm ---	DRAWN BY DATE ELO 2001/10/04	TITLE	HSD 8 ROW POWER BACKPLANE SALES DRAWING	
	$\nabla E=0$	3 PLACES \pm --- \pm ---	CHECKED BY DATE GORSKI 2001/10/05			
	$\nabla F=0$	2 PLACES ± 0.25 \pm ---	APPROVED BY DATE BIXLER 2001/10/08	MATERIAL NO.	DOCUMENT NO.	SHEET NO.
	1 PLACE ± 0.38 \pm ---		SEE TABLE	SD-74029-009	1 OF 1	
	0 PLACE \pm \pm	ANGULAR $\pm 5^\circ$	SIZE B	THIS DRAWING CONTAINS INFORMATION THAT IS PROPRIETARY TO MOLEX INCORPORATED AND SHOULD NOT BE USED WITHOUT WRITTEN PERMISSION		
		DRAFT WHERE APPLICABLE MUST REMAIN WITHIN DIMENSIONS				