

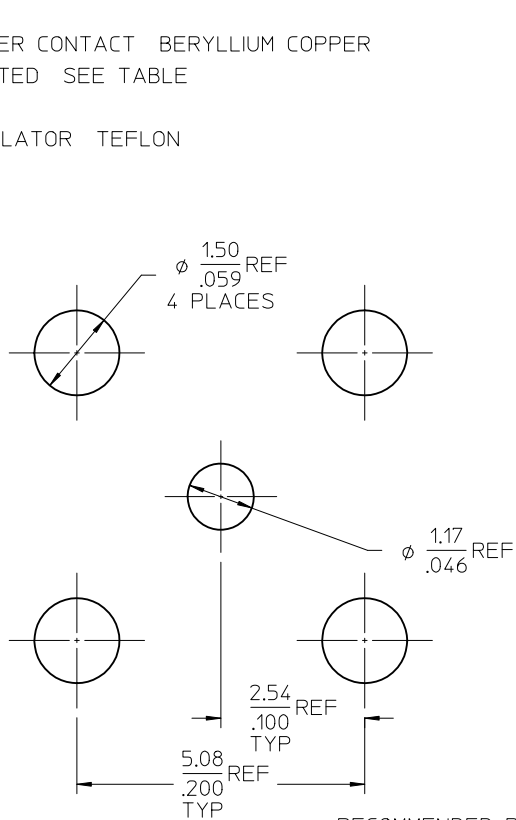
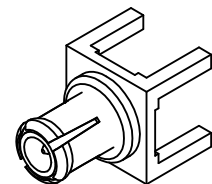
MATERIALS AND FINISHES:

BODY SEE TABLE
 PLATED SEE TABLE

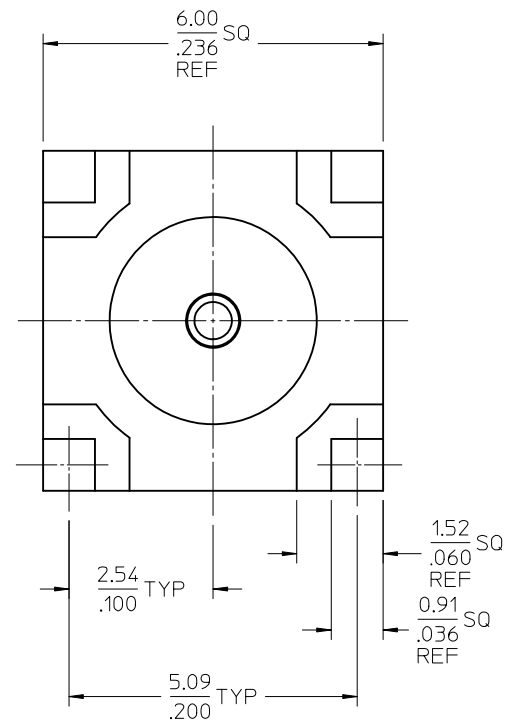
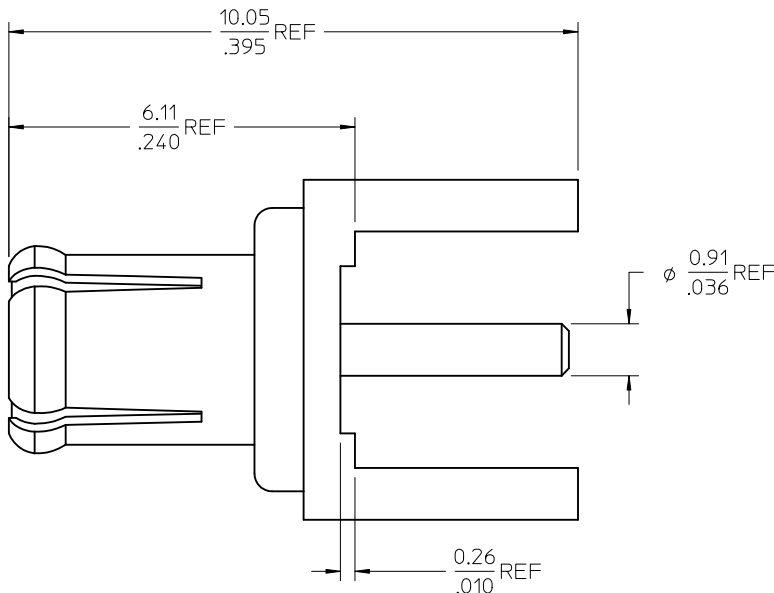
CONTACT SEE TABLE
 PLATED SEE TABLE

OUTER CONTACT BERYLLIUM COPPER
 PLATED SEE TABLE

INSULATOR TEFLON



RECOMMENDED PCB LAYOUT



73415-2451	BeCu	Au OVER Ni-P	Au OVER Ni-P	Au OVER Ni-P	YES
73415-2450	BRASS	TIN	Au OVER Ni	Au OVER Ni	NO
PART NO.	MATERIAL	PLATING	PLATING	PLATING	NON MAGNETIC
	BODY/CONT	BODY	CONTACT	OUTER CONTACT	

CECC-22-220	INTERFACE
SPECIFICATION	DESCRIPTION

CHG: ADDED -2451 TABULATED MATERIAL/FINISH EC NO: URF2011-0727 DRWNS: SHAH 2011/06/06 CHKD: APPR: JWIENER 2011/06/06 A1	QUALITY SYMBOLS ▽=0 ▽=0	GENERAL TOLERANCES (UNLESS SPECIFIED)	DIMENSION STYLE MM/IN	SCALE DESIGN UNITS METRIC	THIRD ANGLE PROJECTION
		4 PLACES ± --- ± --- 3 PLACES ± 0.01 ± --- 2 PLACES ± 0.05 ± --- 1 PLACE ± 0.1 ± --- ANGULAR ± 2°	DRAWN BY DATE LMB 2000/10/02 CHECKED BY DATE TEF 2000/10/02 APPROVED BY DATE GMH 2000/10/02	TITLE MCX, PLUG VERTICAL PCB 50 OHM, EWR1107 MCX-P/PCB	MOLEX MOLEX INCORPORATED
DRAFT WHERE APPLICABLE MUST REMAIN WITHIN DIMENSIONS		MATERIAL NO. 734152450	DOCUMENT NO. SD-73415-245		
THIS DRAWING CONTAINS INFORMATION THAT IS PROPRIETARY TO MOLEX INCORPORATED AND SHOULD NOT BE USED WITHOUT WRITTEN PERMISSION					