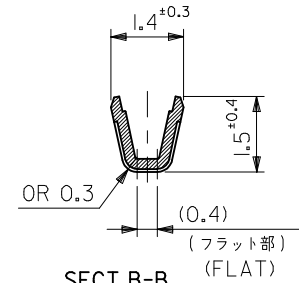
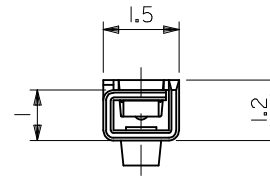
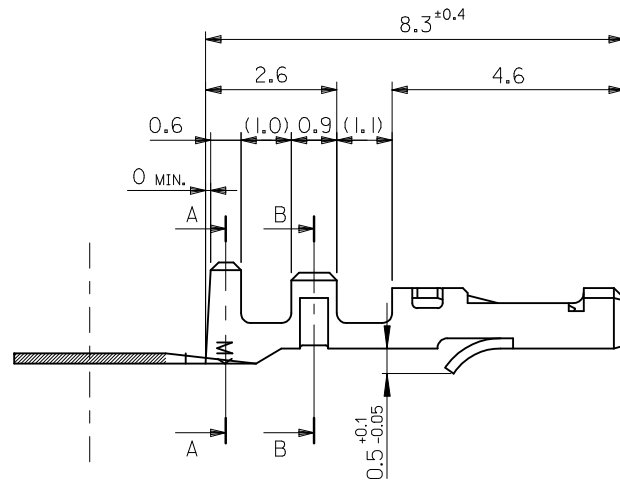


SECT.A-A



SECT.B-B



注記
NOTES

- 適合ハウジング : 51005
APPLICABLE HOUSING : 51005
- 嵌合相手 : 50012
MATE WITH : 50012
- ELV 及び RoHS適合品
ELV AND RoHS COMPLIANT.

50013-8100	バラ状 LOOSE
50013-8000	連鎖状 CHAIN
MATERIAL NO.	端子形状 FORM

50013-8×00
MODEL NO.

材料 MATERIAL	リン青銅 錫メッキ (t=0.2) PHOS. BRO. PRE-TINNED (t=0.2)
仕上げ FINISH	—#—
適用電線範囲 WIRE RANGE	AWG#24 ~ #28
被覆外径 INS. RANGE	φ0.9 ~ φ1.15

REVISED	EC NO: J2010-0035	DRWN: TNAGAWA01 2009/07/06	CHKD: MATSUMOTO 2009/07/06	APPR: NUKITA 2009/07/06
DESCRIPTION	GENERAL TOLERANCES (UNLESS SPECIFIED)			
REV	10 UNDER	±0.2		
	10 OVER 30 UNDER	±0.25		
	30 OVER	±0.3		
	ANGULAR	±3 °		
	DRAFT WHERE APPLICABLE MUST REMAIN WITHIN DIMENSIONS			

DIMENSION STYLE		SCALE	DESIGN UNITS	THIRD ANGLE PROJECTION
MM ONLY		10:1	METRIC	☉
DRAWN BY	DATE	TITLE		
T. YASUI	'95/08/21	2.0 WIRE TO WIRE CONN. CRIMP REC.		
CHECKED BY	DATE			
H. HIRAMOTO	'95/08/22			
APPROVED BY	DATE			
M. FUKUSHIMA	'95/08/22			
MATERIAL NO.	DOCUMENT NO.			
SEE TABLE	SD-50013-001			
SIZE	THIS DRAWING CONTAINS INFORMATION THAT IS PROPRIETARY TO MOLEX INCORPORATED AND SHOULD NOT BE USED WITHOUT WRITTEN PERMISSION			
A3				

MOLEX INCORPORATED		SHEET NO.
		1 OF 1