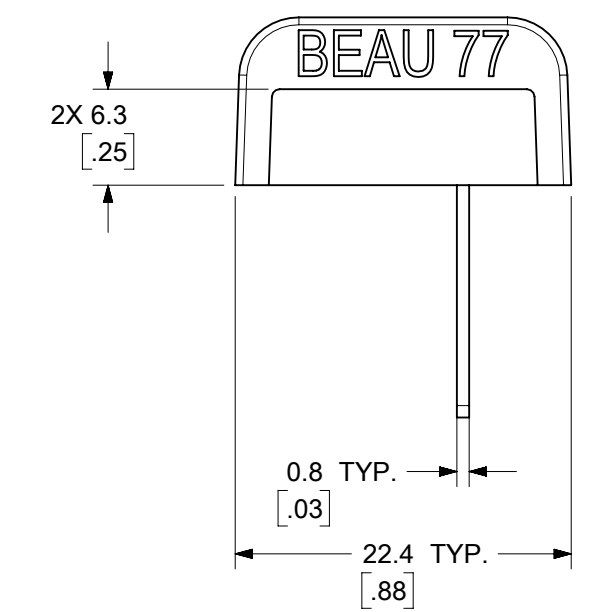
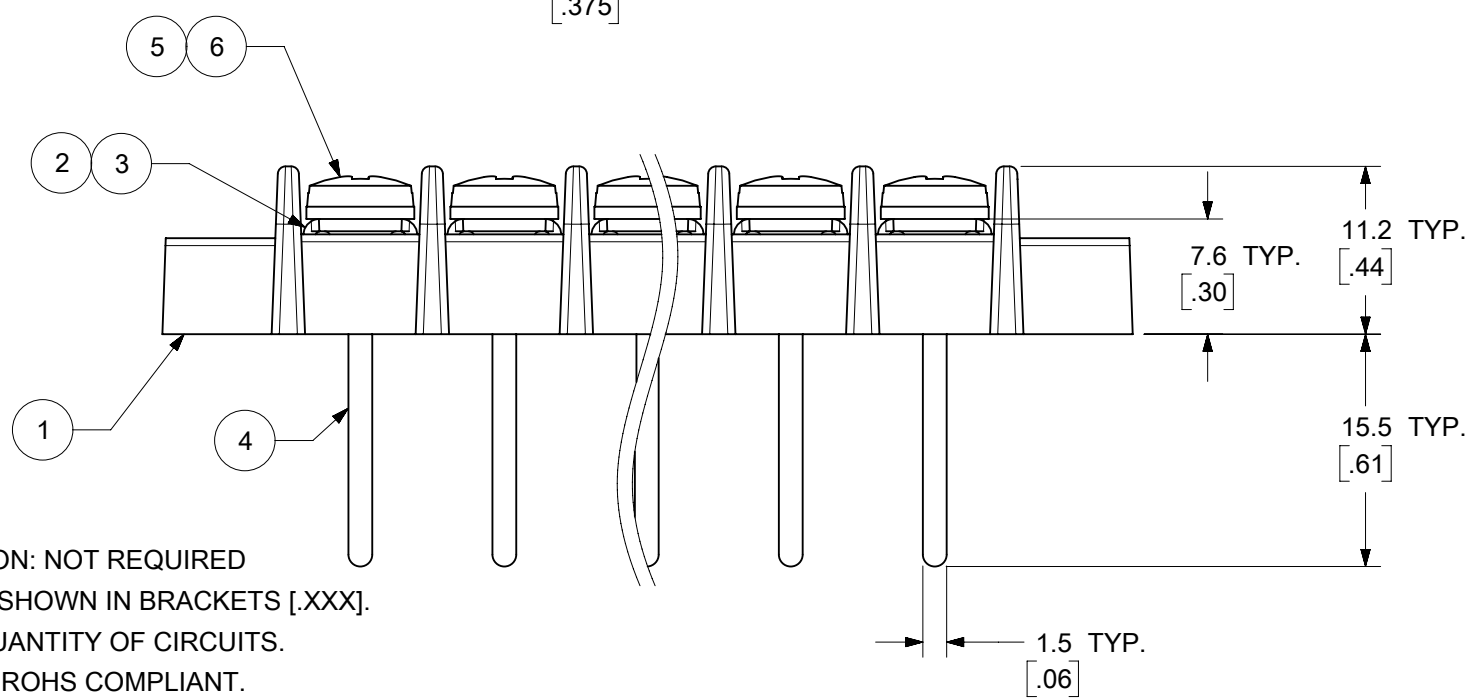
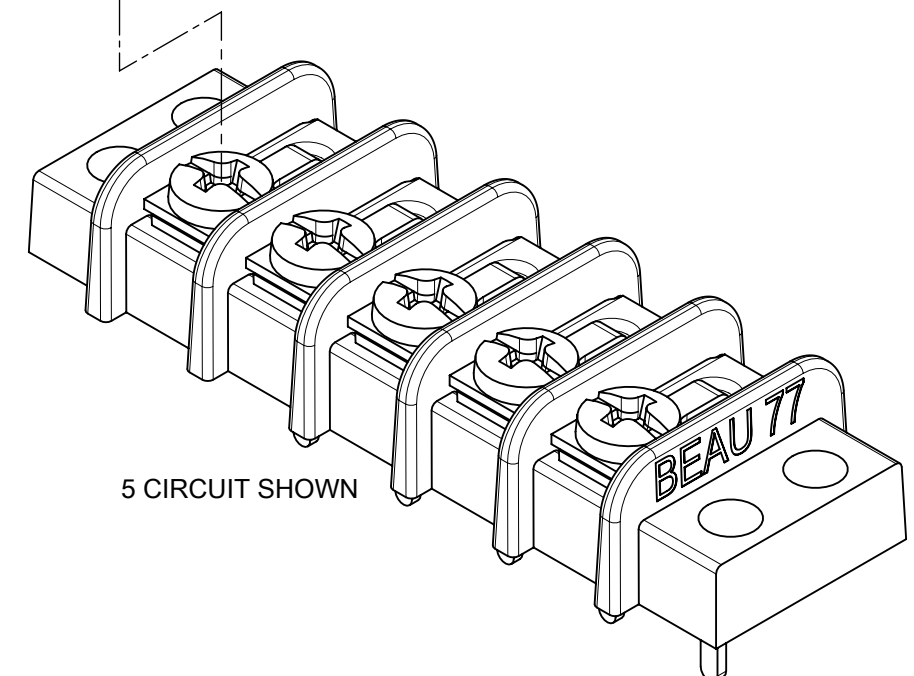
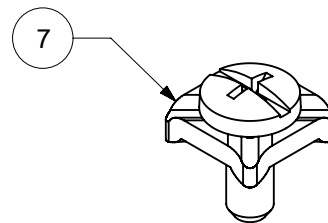


REF -50 OPTION SCREW  
(WHERE APPLICABLE)



NOTES:

1. MATERIAL: SEE TABLE
2. FINISHES: SEE TABLE
3. PRODUCT SPECIFICATION: NOT REQUIRED
4. INCH DIMENSIONS ARE SHOWN IN BRACKETS [.XXX].
5. "XX" REFERS TO THE QUANTITY OF CIRCUITS.
6. ALL COMPONENTS ARE ROHS COMPLIANT.



TOLERANCES			
MM	TOL	INCH	TOL
0-6	±0.25	0-.24	±.010
>6-30	±0.40	.24-1.18	±.016
>30-120	±0.50	1.18-4.76	±.020
>120	±0.80	>4.76	±.031

7	XX	SCREW, #6-32X.250 PAN HD, PHIL-SLOT W/WSHR (-50 OPTION)	STEEL	ZN, CLEAR CHROMATE
6	XX	SCREW, #6-32X.250 BGHD, PHIL-SLOT (-49 OPTION)	BRASS	NICKEL PLATE
5	XX	SCREW, #6-32X.250, BGHD PHIL-SLOT (STANDARD)	STEEL	ZN, CLEAR CHROMATE
4	XX	TERMINAL, WIRE TAP Y	BRASS	TIN PLATE
3	XX	TERMINAL PLATE (-49 OPTION)	BRASS	TIN PLATE
2	XX	TERMINAL PLATE	BRASS	NICKEL PLATE
1	1	INSULATOR	THERMOPLASTIC	BLACK
ITEM	QTY	DESCRIPTION	MATERIAL	FINISH

THIS DRAWING CONTAINS INFORMATION THAT IS PROPRIETARY TO MOLEX ELECTRONIC TECHNOLOGIES, LLC AND SHOULD NOT BE USED WITHOUT WRITTEN PERMISSION										
FUNCTIONAL SYMBOLS	DIMENSION UNITS	SCALE	CURRENT REV DESC: MIGRATED TO ECTR/NX & ADDED TOLERANCE TABLE							
FA = 0	MM/INCH	2:1	<p><b>molex</b></p> <p>9.53MM [.375] DOUBLE ROW LOW PROFILE BTS ASSY</p> <p>PRODUCT CUSTOMER DRAWING</p> <p>DOCUMENT NUMBER: SD-38770-003   DOC TYPE: PSD   DOC PART: 001   REVISION: A1</p> <p>EC NO: 642242   DRWN: ABENJAMINLW   2020/04/30</p> <p>CHK'D: MBRZOZOWSKI   2020/05/13</p> <p>APPR: JFMURPHY   2020/08/11</p> <p>INITIAL REVISION: DRWN: AHIDALGO   2006/05/11</p> <p>APPR: RDEROSS   2006/05/11</p> <p>DRAFT WHERE APPLICABLE MUST REMAIN WITHIN DIMENSIONS</p> <p>THIRD ANGLE PROJECTION</p> <p>DRAWING: B-SIZE   SERIES: 38770   MATERIAL NUMBER: SEE CHART   CUSTOMER: GENERAL MARKET   SHEET NUMBER: 1 OF 2</p>							
EA = 0	GENERAL TOLERANCES (UNLESS SPECIFIED)									
EB = 0	MM	INCH								
DIVISIONAL SYMBOLS	4 PLACES ±	---								3 PLACES ±
ANGULAR TOL		±	---							

NO. OF CIRCUITS "XX"	DIM. "A"		DIM. "B"		DIM. "C"		DIM. "D"		ASSEMBLY MATERIAL NO. (STANDARD)	ASSEMBLY MATERIAL NO. (-49 OPTION)	ASSEMBLY MATERIAL NO. (-50 OPTION)
	mm	INCH	mm	INCH	mm	INCH	mm	INCH			
2	35.7	[1.41]	9.53	[.375]	28.6	[1.13]	21.3	[.84]	387701902	387702002	387703102
3	45.2	[1.78]	19.05	[.750]	38.1	[1.50]	30.8	[1.21]	387701903	387702003	387703103
4	54.7	[2.16]	28.58	[1.125]	47.6	[1.88]	40.3	[1.59]	387701904	387702004	387703104
5	64.3	[2.53]	38.10	[1.500]	57.2	[2.25]	49.8	[1.96]	387701905	387702005	387703105
6	73.8	[2.91]	47.63	[1.875]	66.7	[2.63]	59.4	[2.34]	387701906	387702006	387703106
7	83.3	[3.28]	57.15	[2.250]	76.2	[3.00]	68.9	[2.71]	387701907	387702007	387703107
8	92.8	[3.66]	66.68	[2.625]	85.7	[3.38]	78.4	[3.09]	387701908	387702008	387703108
9	102.4	[4.03]	76.20	[3.000]	95.3	[3.75]	87.9	[3.46]	387701909	387702009	387703109
10	111.9	[4.41]	85.73	[3.375]	104.8	[4.13]	97.5	[3.84]	387701910	387702010	387703110
11	121.4	[4.78]	95.25	[3.750]	114.3	[4.50]	107.0	[4.21]	387701911	387702011	387703111
12	130.9	[5.16]	104.78	[4.125]	123.8	[4.88]	116.5	[4.59]	387701912	387702012	387703112
13	140.5	[5.53]	114.30	[4.500]	133.4	[5.25]	126.0	[4.96]	387701913	387702013	387703113
14	150.0	[5.91]	123.83	[4.875]	142.9	[5.63]	135.6	[5.34]	387701914	387702014	387703114
15	159.5	[6.28]	133.35	[5.250]	152.4	[6.00]	145.1	[5.71]	387701915	387702015	387703115
16	169.0	[6.66]	142.88	[5.625]	161.9	[6.38]	154.6	[6.09]	387701916	387702016	387703116
17	178.6	[7.03]	152.40	[6.000]	171.5	[6.75]	164.1	[6.46]	387701917	387702017	387703117
18	188.1	[7.41]	161.93	[6.375]	181.0	[7.13]	173.7	[6.84]	387701918	387702018	387703118
19	197.6	[7.78]	171.45	[6.750]	190.5	[7.50]	183.2	[7.21]	387701919	387702019	387703119
20	207.1	[8.16]	180.98	[7.125]	200.0	[7.88]	192.7	[7.59]	387701920	387702020	387703120
21	216.7	[8.53]	190.50	[7.500]	209.6	[8.25]	202.2	[7.96]	387701921	387702021	387703121
22	226.2	[8.91]	200.03	[7.875]	219.1	[8.63]	211.8	[8.34]	387701922	387702022	387703122
23	235.7	[9.28]	209.55	[8.250]	228.6	[9.00]	221.3	[8.71]	387701923	387702023	387703123
24	245.2	[9.66]	219.08	[8.625]	238.1	[9.38]	230.8	[9.09]	387701924	387702024	387703124
25	254.2	[10.03]	228.60	[9.000]	247.7	[9.75]	240.3	[9.46]	387701925	387702025	387703125
26	264.3	[10.41]	238.13	[9.375]	257.2	[10.13]	249.9	[9.84]	387701926	387702026	387703126
27	273.8	[10.78]	247.65	[9.750]	266.7	[10.50]	259.4	[10.21]	387701927	387702027	387703127
28	283.3	[11.16]	257.18	[10.125]	276.2	[10.88]	268.9	[10.59]	387701928	387702028	387703128
29	292.9	[11.53]	266.70	[10.500]	285.8	[11.25]	278.4	[10.96]	387701929	387702029	387703129
30	302.4	[11.91]	276.23	[10.875]	295.3	[11.63]	288.0	[11.34]	387701930	387702030	387703130

TOLERANCES			
MM	TOL	INCH	TOL
0-6	±0.25	0-.24	±.010
>6-30	±0.40	.24-1.18	±.016
>30-120	±0.50	1.18-4.76	±.020
>120	±0.80	>4.76	±.031

FUNCTIONAL SYMBOLS												THIS DRAWING CONTAINS INFORMATION THAT IS PROPRIETARY TO MOLEX ELECTRONIC TECHNOLOGIES, LLC AND SHOULD NOT BE USED WITHOUT WRITTEN PERMISSION															
DIMENSION UNITS				SCALE				CURRENT REV DESC: MIGRATED TO ECTR/NX & ADDED TOLERANCE TABLE				 9.53MM [.375] DOUBLE ROW LOW PROFILE BTS ASSY															
MM/INCH				2:1																							
GENERAL TOLERANCES (UNLESS SPECIFIED)												EC NO: 642242 DRWN: ABENJAMINLW 2020/04/30 CHK'D: MBRZOZOWSKI 2020/05/13 APPR: JFMURPHY 2020/08/11 INITIAL REVISION: DRWN: AHIDALGO 2006/05/11 APPR: RDEROSS 2006/05/11															
4 PLACES		± --- ± ---		3 PLACES		± --- ± ---		2 PLACES		± --- ± ---						1 PLACE		± --- ± ---		0 PLACES		± --- ± ---					
3 PLACES		± --- ± ---		2 PLACES		± --- ± ---		1 PLACE		± --- ± ---						0 PLACES		± --- ± ---		ANGULAR TOL		± ---					
3 PLACES		± --- ± ---		2 PLACES		± --- ± ---		1 PLACE		± --- ± ---						0 PLACES		± --- ± ---		ANGULAR TOL		± ---					
2 PLACES		± --- ± ---		1 PLACE		± --- ± ---		0 PLACES		± --- ± ---						ANGULAR TOL		± ---									
DIVISIONAL SYMBOLS				THIRD ANGLE PROJECTION				DRAWING				SERIES				MATERIAL NUMBER				CUSTOMER				SHEET NUMBER			
								B-SIZE				38770				SEE CHART				GENERAL MARKET				2 OF 2			

NO. OF CIRCUITS 'XX'	DM. 'A'	DM. 'B'	DM. 'C'	DM. 'D'	ASSEMBLY MATERIAL NO. (STANDARD)	ASSEMBLY MATERIAL NO. (-49 OPTION)	ASSEMBLY MATERIAL NO. (-50 OPTION)
2	35.7 [1.41]	9.53 [.375]	28.6 [1.13]	21.3 [.84]	387701902	387702002	387703102
3	45.2 [1.78]	19.05 [.750]	38.1 [1.50]	30.8 [1.21]	387701903	387702003	387703103
4	54.7 [2.16]	28.58 [1.125]	47.6 [1.88]	40.3 [1.59]	387701904	387702004	387703104
5	64.3 [2.53]	38.10 [1.500]	57.2 [2.25]	49.8 [1.96]	387701905	387702005	387703105
6	73.8 [2.91]	47.63 [1.875]	66.7 [2.63]	59.4 [2.34]	387701906	387702006	387703106
7	83.3 [3.28]	57.15 [2.250]	76.2 [3.00]	68.9 [2.71]	387701907	387702007	387703107
8	92.8 [3.66]	66.68 [2.625]	85.7 [3.38]	78.4 [3.09]	387701908	387702008	387703108
9	102.4 [4.03]	76.20 [3.000]	95.3 [3.75]	87.9 [3.46]	387701909	387702009	387703109
10	111.9 [4.41]	85.73 [3.375]	104.8 [4.13]	97.5 [3.84]	387701910	387702010	387703110
11	121.4 [4.78]	95.25 [3.750]	114.3 [4.50]	107.0 [4.21]	387701911	387702011	387703111
12	130.9 [5.16]	104.78 [4.125]	123.8 [4.88]	116.5 [4.59]	387701912	387702012	387703112
13	140.5 [5.53]	114.30 [4.500]	133.4 [5.25]	126.0 [4.96]	387701913	387702013	387703113
14	150.0 [5.91]	123.83 [4.875]	142.9 [5.63]	135.6 [5.34]	387701914	387702014	387703114
15	159.5 [6.28]	133.35 [5.250]	152.4 [6.00]	145.1 [5.71]	387701915	387702015	387703115
16	169.0 [6.66]	142.88 [5.625]	161.9 [6.38]	154.6 [6.09]	387701916	387702016	387703116
17	178.6 [7.03]	152.40 [6.000]	171.5 [6.75]	164.1 [6.46]	387701917	387702017	387703117
18	188.1 [7.41]	161.93 [6.375]	181.0 [7.13]	173.7 [6.84]	387701918	387702018	387703118
19	197.6 [7.78]	171.45 [6.750]	190.5 [7.50]	183.2 [7.21]	387701919	387702019	387703119
20	207.1 [8.16]	180.98 [7.125]	200.0 [7.88]	192.7 [7.59]	387701920	387702020	387703120
21	216.7 [8.53]	190.50 [7.500]	209.6 [8.25]	202.2 [7.96]	387701921	387702021	387703121
22	226.2 [8.91]	200.03 [7.875]	219.1 [8.63]	211.8 [8.34]	387701922	387702022	387703122
23	235.7 [9.28]	209.55 [8.250]	228.6 [9.00]	221.3 [8.71]	387701923	387702023	387703123
24	245.2 [9.66]	219.08 [8.625]	238.1 [9.38]	230.8 [9.09]	387701924	387702024	387703124
25	254.8 [10.03]	228.60 [9.000]	247.7 [9.75]	240.3 [9.46]	387701925	387702025	387703125
26	264.3 [10.41]	238.13 [9.375]	257.2 [10.13]	249.9 [9.84]	387701926	387702026	387703126
27	273.8 [10.78]	247.65 [9.750]	266.7 [10.50]	259.4 [10.21]	387701927	387702027	387703127
28	283.3 [11.16]	257.18 [10.125]	276.2 [10.88]	268.9 [10.59]	387701928	387702028	387703128
29	292.9 [11.53]	266.70 [10.500]	285.8 [11.25]	278.4 [10.96]	387701929	387702029	387703129
30	302.4 [11.91]	276.23 [10.875]	295.3 [11.63]	288.0 [11.34]	387701930	387702030	387703130

INITIAL RELEASE EC NO: ETC2006-0393 DRW: AHIDALGO 2006/05/11 CHKD: JENCINAS 2006/05/11 APPR: RDEROSS 2006/05/11	QUALITY SYMBOLS ▽=0 ▽=0	GENERAL TOLERANCES (UNLESS SPECIFIED)		DIMENSION STYLE		SCALE	DESIGN UNITS	THIRD ANGLE PROJECTION
				MM/IN		2:1	INCH	
				DRAWN BY DATE		TITLE		
				CHECKED BY DATE		MOLEX INCORPORATED		
		APPROVED BY DATE		MATERIAL NO.		DOCUMENT NO.		SHEET NO.
		ANGULAR ± 2 °		SEE CHART		SD-38770-003		
		DRAFT WHERE APPLICABLE MUST REMAIN WITHIN DIMENSIONS		SIZE B		THIS DRAWING CONTAINS INFORMATION THAT IS PROPRIETARY TO MOLEX INCORPORATED AND SHOULD NOT BE USED WITHOUT WRITTEN PERMISSION		