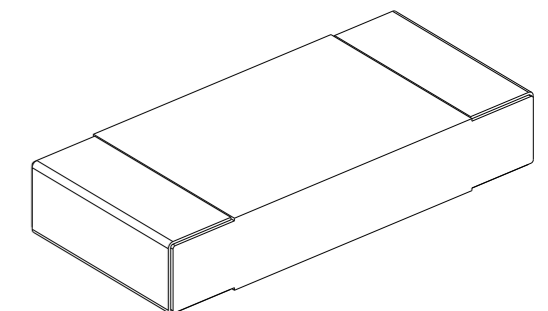
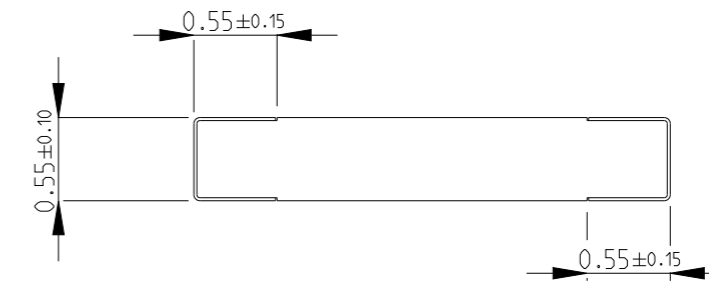
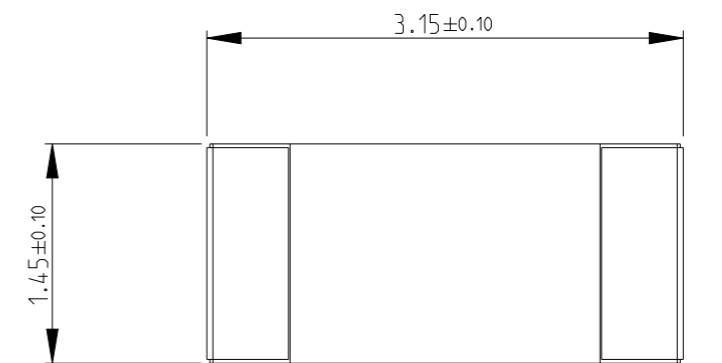


P	LTR	DESCRIPTION	DATE	DWN	APVD
	A	INITIAL RELEASE	26MAY2021	MHS	AP
	A1	ECR-21-120065	08NOV2021	KS	AP

Complete TIN	Product Number	Material Description	Resistance (mΩ)	Weight (g) (1000 pcs)
2176467-1	TLRP2B10DR008FTD	TLRP 1206 1.0W R008 1% 50PPM 5K RL	8	10.5
2176467-2	TLRP2B10DR010FTD	TLRP 1206 1.0W R010 1% 50PPM 5K RL	10	10.5
2176467-3	TLRP2B10DR012FTD	TLRP 1206 1.0W R012 1% 50PPM 5K RL	12	10.5
2176467-4	TLRP2B10DR015FTD	TLRP 1206 1.0W R015 1% 50PPM 5K RL	15	10.5
2176467-5	TLRP2B10DR020FTD	TLRP 1206 1.0W R020 1% 50PPM 5K RL	20	10.5
2176467-6	TLRP2B10DR025FTD	TLRP 1206 1.0W R025 1% 50PPM 5K RL	25	10.5
2176467-7	TLRP2B10DR030FTD	TLRP 1206 1.0W R030 1% 50PPM 5K RL	30	10.5
2176467-8	TLRP2B10DR040FTD	TLRP 1206 1.0W R040 1% 50PPM 5K RL	40	10.5
2176467-9	TLRP2B10WR003FTD	TLRP 1206 1.0W R003 1% 75PPM 5K RL	3	10.5
1-2176467-0	TLRP2B10WR004FTD	TLRP 1206 1.0W R004 1% 75PPM 5K RL	4	10.5
1-2176467-1	TLRP2B10WR005FTD	TLRP 1206 1.0W R005 1% 75PPM 5K RL	5	10.5
1-2176467-2	TLRP2B10WR007FTD	TLRP 1206 1.0W R007 1% 75PPM 5K RL	7	10.5
1-2176467-3	TLRP2B10WR008FTD	TLRP 1206 1.0W R008 1% 75PPM 5K RL	8	10.5
1-2176467-4	TLRP2B10WR010FTD	TLRP 1206 1.0W R010 1% 75PPM 5K RL	10	10.5
1-2176467-5	TLRP2B10WR012FTD	TLRP 1206 1.0W R012 1% 75PPM 5K RL	12	10.5
1-2176467-6	TLRP2B10WR015FTD	TLRP 1206 1.0W R015 1% 75PPM 5K RL	15	10.5
1-2176467-7	TLRP2B10WR020FTD	TLRP 1206 1.0W R020 1% 75PPM 5K RL	20	10.5
1-2176467-8	TLRP2B10WR025FTD	TLRP 1206 1.0W R025 1% 75PPM 5K RL	25	10.5
1-2176467-9	TLRP2B10WR030FTD	TLRP 1206 1.0W R030 1% 75PPM 5K RL	30	10.5
2-2176467-0	TLRP2B10WR033FTD	TLRP 1206 1.0W R033 1% 75PPM 5K RL	33	10.5
2-2176467-1	TLRP2B10WR040FTD	TLRP 1206 1.0W R040 1% 75PPM 5K RL	40	10.5
2-2176467-2	TLRP2B10ER003FTD	TLRP 1206 1.0W R003 1% 100PPM 5K RL	3	10.5
2-2176467-3	TLRP2B10ER004FTD	TLRP 1206 1.0W R004 1% 100PPM 5K RL	4	10.5
2-2176467-4	TLRP2B10ER005FTD	TLRP 1206 1.0W R005 1% 100PPM 5K RL	5	10.5
2-2176467-5	TLRP2B10ER007FTD	TLRP 1206 1.0W R007 1% 100PPM 5K RL	7	10.5
2-2176467-6	TLRP2B10ER008FTD	TLRP 1206 1.0W R008 1% 100PPM 5K RL	8	10.5
2-2176467-7	TLRP2B10ER010FTD	TLRP 1206 1.0W R010 1% 100PPM 5K RL	10	10.5
2-2176467-8	TLRP2B10ER012FTD	TLRP 1206 1.0W R012 1% 100PPM 5K RL	12	10.5
2-2176467-9	TLRP2B10ER015FTD	TLRP 1206 1.0W R015 1% 100PPM 5K RL	15	10.5
3-2176467-0	TLRP2B10ER020FTD	TLRP 1206 1.0W R020 1% 100PPM 5K RL	20	10.5
3-2176467-1	TLRP2B10ER025FTD	TLRP 1206 1.0W R025 1% 100PPM 5K RL	25	10.5
3-2176467-2	TLRP2B10ER030FTD	TLRP 1206 1.0W R030 1% 100PPM 5K RL	30	10.5
3-2176467-3	TLRP2B10ER033FTD	TLRP 1206 1.0W R033 1% 100PPM 5K RL	33	10.5
3-2176467-4	TLRP2B10ER040FTD	TLRP 1206 1.0W R040 1% 100PPM 5K RL	40	10.5
4-2176467-6	TLRP2B10WR018FTD	TLRP 1206 1.0W R018 1% 75PPM 5K RL	18	10.5
4-2176467-7	TLRP2B10WR022FTD	TLRP 1206 1.0W R022 1% 75PPM 5K RL	22	10.5
4-2176467-9	TLRP2B10WR047FTD	TLRP 1206 1.0W R047 1% 75PPM 5K RL	47	10.5
5-2176467-0	TLRP2B10WR051FTD	TLRP 1206 1.0W R051 1% 75PPM 5K RL	51	10.5
5-2176467-1	TLRP2B10WR068FTD	TLRP 1206 1.0W R068 1% 75PPM 5K RL	68	10.5

FOR FURTHER INFORMATION SEE DATA SHEET FOR TLRP SERIES-SMD HIGH POWER CURRENT SENSE RESISTORS



...CONTINUED IN NEXT SHEET


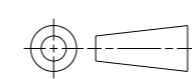
THIS DRAWING IS A CONTROLLED DOCUMENT.		DWN	26MAY2021		TE Connectivity
		CHK	MANOHAR H S 26MAY2021		
		APVD	A. PILE 26MAY2021		
		PRODUCT SPEC	A. PILE		
DIMENSIONS: mm 		TOLERANCES UNLESS OTHERWISE SPECIFIED: 0 PLC ±0.2 1 PLC ±0.1 2 PLC ± 3 PLC ± 4 PLC ± ANGLES ±5°		NAME SMD HIGH POWER - CURRENT SENSE RESISTORS, SERIES TLRP - 2B	
MATERIAL		FINISH		APPLICATION SPEC	
-		-		-	
-		-		-	
		WEIGHT		SIZE	RESTRICTED TO
		-		A3	-
		CUSTOMER DRAWING		CAGE CODE	DRAWING NO
		-		00779	©=2176467
				SCALE	SHEET
				20:1	1 OF 2
				REV	A1

RoHS Compliant

REVISIONS

P	LTR	DESCRIPTION	DATE	DWN	APVD
-		SEE SHEET 1	-	-	-

Complete TIN	Product Number	Material Description	Resistance (mΩ)	Weight (g) (1000 pcs)
5-2176467-2	TLRP2B10WR075FTD	TLRP 1206 1.0W R075 1% 75PPM 5K RL	75	10.5
5-2176467-3	TLRP2B10WR082FTD	TLRP 1206 1.0W R082 1% 75PPM 5K RL	82	10.5
5-2176467-4	TLRP2B10WR090FTD	TLRP 1206 1.0W R090 1% 75PPM 5K RL	90	10.5
5-2176467-5	TLRP2B10WR100FTD	TLRP 1206 1.0W R100 1% 75PPM 5K RL	100	10.5
5-2176467-6	TLRP2B10WR150FTD	TLRP 1206 1.0W R150 1% 75PPM 5K RL	150	10.5

THIS DRAWING IS A CONTROLLED DOCUMENT.		DWN MANOHAR H S 26MAY2021	 TE Connectivity	
DIMENSIONS: mm		CHK A. PILE 26MAY2021		
		APVD A. PILE 26MAY2021	NAME SMD HIGH POWER - CURRENT SENSE RESISTORS, SERIES TLRP - 2B	
TOLERANCES UNLESS OTHERWISE SPECIFIED:		PRODUCT SPEC	RESTRICTED TO	
0 PLC ±0.2		APPLICATION SPEC	SIZE	CAGE CODE
1 PLC ±0.1			A3	00779
2 PLC ±-		WEIGHT	DRAWING NO	©=2176467
3 PLC ±-				
4 PLC ±-				
ANGLES ±5°				
MATERIAL		CUSTOMER DRAWING	SCALE	SHEET
			20:1	2 OF 2
				REV A1