

6

5

4

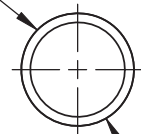
3

2

1

REVISIONS					
REV.	ECR#	ZONE	DESCRIPTION	CHANGED BY/DATE	APPROVED BY/DATE
AA			INITIAL RELEASE	K.S. 12-14-10	K.S. 12-14-10

VENTED CAP FOR INVERTED MOUNTING



Ø 31.68±0.50

D

D

C

C

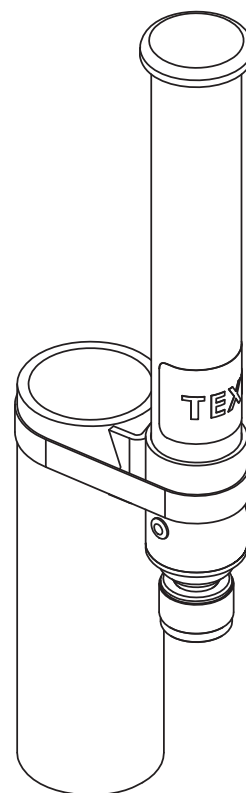
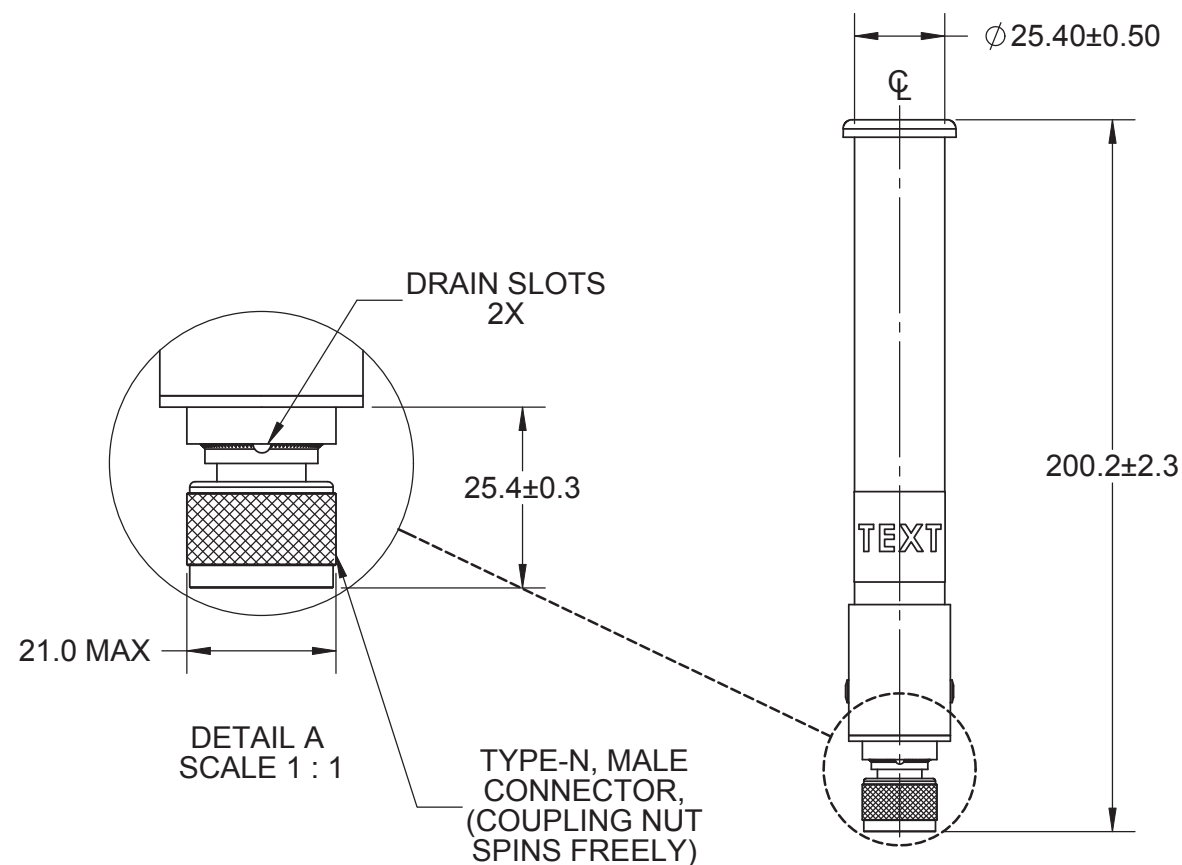
B

B

A

A

Parameter	Performance
Model Number	OC51505H-FNM
Frequency	5150-5875MHz
Gain	5dBi
Polarization	Linear, Horizontal
VSWR	2.0:1
E-Plane 3dB Beamwidth	Omnidirectional
H-Plane 3dB Beamwidth	33°
RF Connector	Type N, Male, Fixed, Tri-Metal
Power	10 Watts
Weight	0.18kg
Radome	Polycarbonate, UV, White
Operational Temperature	-30°C to +70°C
Storage Temperature	-40°C to +85°C
Mounting	Connector Fixed or Mast Mount Kit, Upright and Inverted Orientation



MAST MOUNT CONFIGURATION

MATERIAL: N/A		THIRD ANGLE PROJECTION 			
FINISH: N/A		DO NOT SCALE DRAWING			
APPROVALS		DATE		TITLE: OC51505H-FNM	
DRAWN BY	K. SEARL	08-04-10			
PROJ. ENG.	T. PETROPOULOS	12-14-10			
APPL. MECH.	S. JOHNSON	12-14-10			
MFG.	I. CHICKLIS	12-14-10		DIMENSIONS ARE IN MILLIMETERS	
		ANGLE: 0 PLACE DECIMAL: ±0.5 1 PLACE DECIMAL: ±0.25 2 PLACE DECIMAL: ±0.13		SIZE A3	
		SURFACE ROUGHNESS $\sqrt{1.6}$		DWG. NO. OC51505H-FNM MO	
				REV AA	
				SCALE: 1:2 PREVIOUS# SHEET 1 OF 1	

THIS DRAWING IS UNPUBLISHED. RELEASED FOR PUBLICATION - , -
 © Copyright 2022 TE Connectivity Ltd. ALL RIGHTS RESERVED.

6

5

4

3

2

1