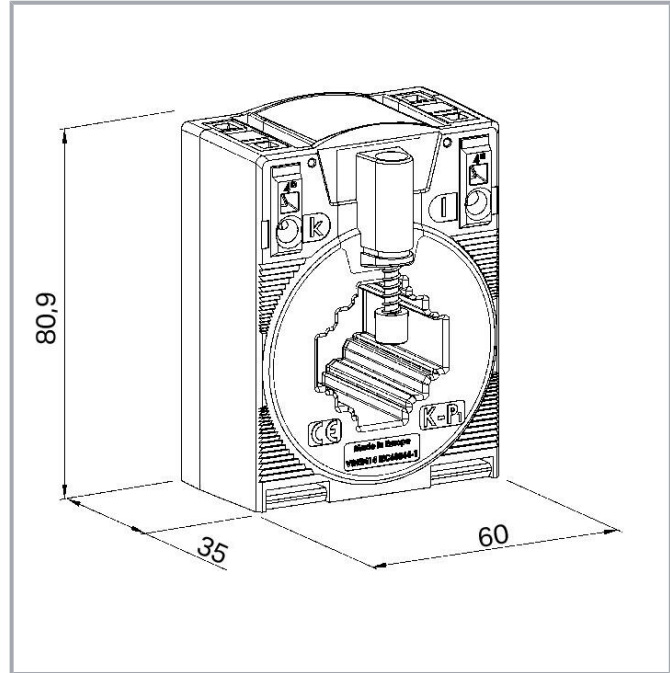
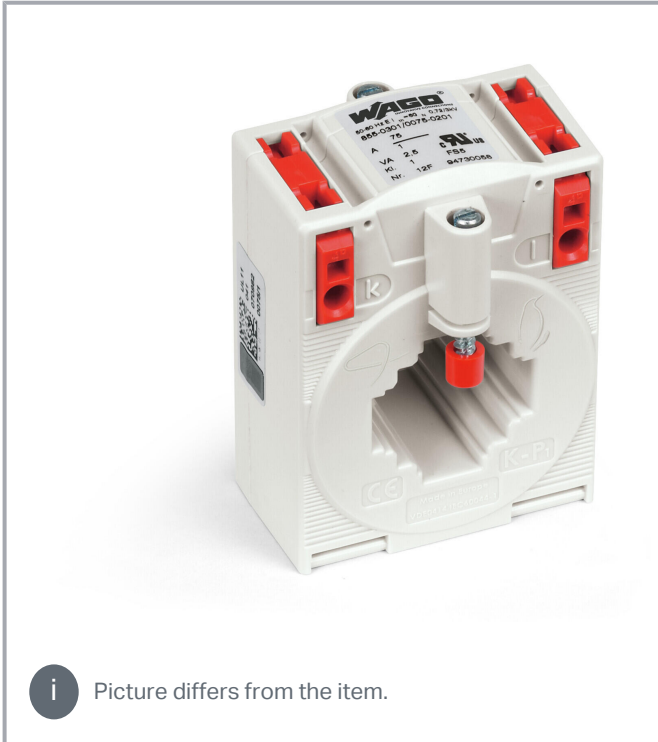


**Data sheet | Item number: 855-305/600-1001**

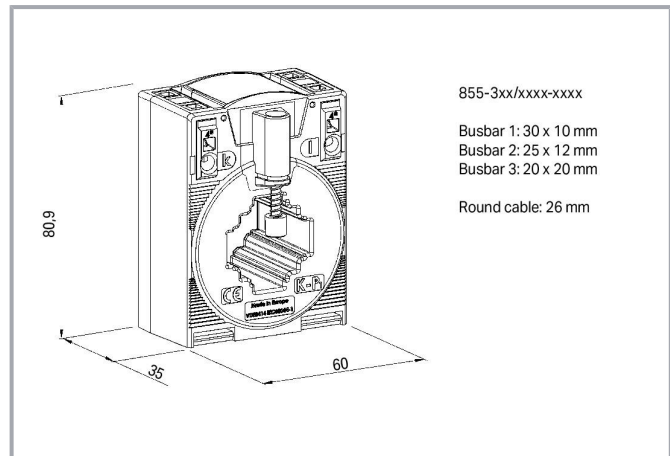
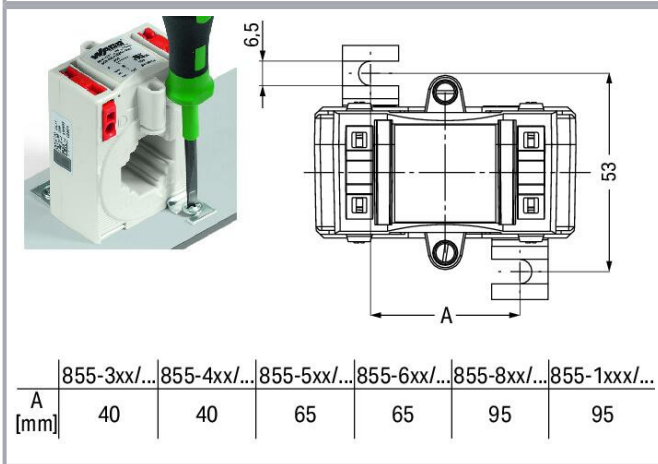
Plug-in current transformer; Primary rated current: 600 A; Secondary rated current: 5 A; Rated power: 10 VA; Accuracy class: 1



[www.wago.com/855-305/600-1001](http://www.wago.com/855-305/600-1001)



**i** Picture differs from the item.



**Item description**

Short description:

Subject to changes. Please also observe the further product documentation!

WAGO GmbH & Co. KG  
 Hansastr. 27  
 32423 Minden  
 Phone: +49571 887-0 | Fax: +49571 887-169  
 Email: [info.de@wago.com](mailto:info.de@wago.com) | Web: [www.wago.com](http://www.wago.com)

Do you have any questions about our products?  
 We are always happy to take your call at +49 (571) 887-44222.



These plug-in units (855 Series) are inductive, single-conductor current transformers. Due to the measurement principle used, these current transformers are exclusively designed for AC network applications.

#### Features:

- Screwless CAGE CLAMP® connection technology
- Several mounting options available
- Vibration- and shock-resistant
- High mechanical retention forces
- High current-carrying capacity
- Continuous overload of 120% the nominal primary current
- Low-voltage current transformer for operating voltages up to max. 1.2 kV
- For 690 V power networks
- UL recognized components

## Data

### Technical data

#### Input Current Transformers

|  |   |
|--|---|
| Primary rated current                      | 600 A   |
| Rated continuous thermal current $I_{cth}$ | $1.2 \times I_N$  |
| Rated short-time thermal current $I_{tth}$ | $60 \times I_N / 1 \text{ s (max. 100 kA / 1 s)}$       |
| Overcurrent limiting factor                | FS5 / FS10 (type dependent; see type plate inscription) |
| Rated frequency                            | 50 ... 60 Hz  |

#### Output (current transformer)

|                         |       |
|-------------------------|-------|
| Secondary rated current | 5 A   |
| Rated power $S_r$       | 10 VA |

#### Measurement Error

|                |   |
|----------------|---|
| Accuracy class | 1 |
|----------------|---|

#### Safety and protection

|                                     |                          |
|-------------------------------------|--------------------------|
| Highest voltage for equipment $U_m$ | AC 1.2 kV <sub>rms</sub> |
|-------------------------------------|--------------------------|

Subject to changes. Please also observe the further product documentation!

## Test voltage

|              |                       |
|--------------|-----------------------|
| Test voltage | AC 6 kV; 50 Hz; 1 min |
|--------------|-----------------------|

## Connection data

|                         |  |
|-------------------------|--|
| Connection technology   | CAGE CLAMP®                                |
| Solid conductor         | 0.08 ... 4 mm <sup>2</sup> / 28 ... 12 AWG |
| Fine-stranded conductor | 0.08 ... 4 mm <sup>2</sup> / 28 ... 12 AWG |
| Strip length            | 9 ... 10 mm / 0.35 ... 0.39 inches         |

## Physical data

|        |                        |
|--------|------------------------|
| Width  | 60 mm / 2.362 inches   |
| Height | 80.9 mm / 3.185 inches |
| Depth  | 52 mm / 2.047 inches   |

## Mechanical Data

|               |   |
|---------------|---|
| Mounting type | Installation on round cable<br>Closed current transformer<br>Installation on mounting plate<br>Mounting on DIN-rail via DIN-rail adapter<br>Mounting on round cable |
|---------------|---|

## Material Data

|                  |       |
|------------------|-------|
| Insulation class | E     |
| Weight           | 257 g |

## Environmental requirements

|                                 |                |
|---------------------------------|----------------|
| Ambient temperature (operation) | -5 ... +50 °C  |
| Ambient temperature (storage)   | -25 ... +70 °C |
| Operating altitude (max.)       | 1000 m         |

## Standards and specifications

|                          |   |
|--------------------------|---|
| Conformity marking       | CE                                      |
| Standards/specifications | EN 61869-1<br>EN 61869-2<br>UL: E356480 |

Subject to changes. Please also observe the further product documentation!

## Commercial data



|                       |               |
|-----------------------|---------------|
| eCl@ss 10.0           | 27-21-09-02   |
| eCl@ss 9.0            | 27-21-09-02   |
| ETIM 8.0              | EC002048      |
| ETIM 7.0              | EC002048      |
| PU (SPU)              | 1 pcs         |
| Packaging type        | box           |
| Country of origin     | HU            |
| GTIN                  | 4050821749400 |
| Customs tariff number | 85043129900   |

## Environmental Product Compliance



|                        |                         |
|------------------------|-------------------------|
| RoHS Compliance Status | Compliant, No Exemption |
|------------------------|-------------------------|

## Approvals / Certificates

### General approvals

| Logo   | Approval                               | Additional Approval Text       | Certificate name            |
|--|--|--------------------------------|-----------------------------|
|  | EAC<br>Brjansker Zertifizierungsstelle | TP TC 004/2011, TP TC 020/2011 | EAC RU C-DE.AM02.B.00111/19 |
|  | UL<br>Underwriters Laboratories Inc.   | -                              | E356480                     |

### Declarations of conformity and manufacturer's declarations

| Logo   | Approval   | Additional Approval Text | Certificate name |
|--|--|--------------------------|------------------|
|  | EU-Declaration of Conformity<br>WAGO GmbH & Co. KG | -                        | -                |
|  | UK-Declaration of Conformity<br>WAGO GmbH & Co. KG | -                        | -                |

Subject to changes. Please also observe the further product documentation!

WAGO GmbH & Co. KG  
Hansastr. 27  
32423 Minden  
Phone: +49571 887-0 | Fax: +49571 887-169  
Email: [info.de@wago.com](mailto:info.de@wago.com) | Web: [www.wago.com](http://www.wago.com)

Do you have any questions about our products?  
We are always happy to take your call at +49 (571) 887-44222.

## Optional accessories

### Tool

Operating tool



**Item no.: 210-720**

Operating tool; Blade: 3.5 x 0.5 mm; with a partially insulated shaft; multicoloured

[www.wago.com/210-720](http://www.wago.com/210-720)

### Mounting

Current transformer terminal block



**Item no.: 2007-8874**

Compact terminal block; for current and voltage transformers; 6,00 mm<sup>2</sup>; multicoloured

[www.wago.com/2007-8874](http://www.wago.com/2007-8874)



**Item no.: 2007-8877**

Compact terminal block; for current transformer circuit; 6,00 mm<sup>2</sup>; multicoloured

[www.wago.com/2007-8877](http://www.wago.com/2007-8877)



**Item no.: 2007-8875**

Compact terminal block; for current transformer circuit; 6,00 mm<sup>2</sup>; multicoloured

[www.wago.com/2007-8875](http://www.wago.com/2007-8875)



**Item no.: 2007-8876**

Compact terminal block; for 3-phase current transformer circuit; 6,00 mm<sup>2</sup>; multicoloured

[www.wago.com/2007-8876](http://www.wago.com/2007-8876)



**Item no.: 2007-8873**

Compact terminal block; for current and voltage transformers; 6,00 mm<sup>2</sup>; multicoloured

[www.wago.com/2007-8873](http://www.wago.com/2007-8873)

### Mounting adapter

Fast connection adapter



**Item no.: 855-9910**

Quick-mount kit

[www.wago.com/855-9910](http://www.wago.com/855-9910)

DIN-rail adapter



**Item no.: 855-9900**

Carrier rail adapter

[www.wago.com/855-9900](http://www.wago.com/855-9900)

### Signal conditioner

Power measurement module



**Item no.: 2857-570/024-005**

3-Phase Power Measurement Module; 3x277/480 V/5 A; Modbus RTU; Digital output; Configuration via software; Supply voltage: 24 VDC

[www.wago.com/2857-570/024-005](http://www.wago.com/2857-570/024-005)

Current signal conditioner

Subject to changes. Please also observe the further product documentation!

WAGO GmbH & Co. KG

Hansastr. 27




32423 Minden

Phone: +49571 887-0 | Fax: +49571 887-169

Email: [info.de@wago.com](mailto:info.de@wago.com) | Web: [www.wago.com](http://www.wago.com)

Do you have any questions about our products?

We are always happy to take your call at +49 (571) 887-44222.

|   |   |  |
|---|---|--|
|   | <b>Item no.: 857-550</b><br>Current signal conditioner; Current input signal; Current and voltage output signal; Digital output;<br>Configuration via software; Supply voltage: 24 VDC; 6 mm module width; 2,50 mm <sup>2</sup> | <a href="http://www.wago.com/857-550">www.wago.com/857-550</a> |
|  | <b>Item no.: 857-569</b><br>Power signal conditioner; Current and voltage input signal; Current and voltage output signal; Digital<br>output; Configuration via software; Supply voltage: 24 VDC; 6 mm module width             | <a href="http://www.wago.com/857-569">www.wago.com/857-569</a> |
|   | <b>Item no.: 857-551</b><br>Current signal conditioner; Current input signal; Current and voltage output signal; Digital output;<br>Configuration via software; Supply voltage: 24 VDC; 6 mm module width                       | <a href="http://www.wago.com/857-551">www.wago.com/857-551</a> |

## Downloads

### Documentation

#### Bid Text

|                                 |             |                |          |
|---------------------------------|-------------|----------------|----------|
| 855-305/600-1001<br>X81 - Datei | 2019 Feb 19 | xml<br>5.1 kB  | Download |
| 855-305/600-1001<br>doc - Datei | 2015 Feb 5  | doc<br>32.3 kB | Download |

#### Instruction Leaflet

|                       |  |               |          |
|-----------------------|--|---------------|----------|
| Aufsteck-Stromwandler |  | pdf<br>1.5 MB | Download |
|-----------------------|--|---------------|----------|

#### Additional Information

|   |                        |               |          |
|---|------------------------|---------------|----------|
| Disposal and Recycling<br>Electrical and electronic equipment, Batteries, Packaging | V 1.1.0<br>2022 Aug 18 | pdf<br>2.2 MB | Download |
|---|------------------------|---------------|----------|

## Engineering-Software

### Configuration and Commissioning Software

|  |                           |                 |          |
|--|---------------------------|-----------------|----------|
| WAGO Interface Configuration Software G2 SMALL<br>The full setup only includes the WAGO Interface Configuration Software G2.   | 1.00.10.01<br>2022 Jan 20 | exe<br>31.0 MB  | Download |
| WAGO Interface Configuration Software G2 FULL<br>The full setup, in addition to the WAGO Interface Configuration Software G2, includes<br>the installation for the Microsoft .NET Framework. | 1.00.10.01<br>2022 Jan 20 | exe<br>114.9 MB | Download |

Subject to changes. Please also observe the further product documentation!

WAGO GmbH & Co. KG  
 Hansastr. 27  
 32423 Minden  
 Phone: +49571 887-0 | Fax: +49571 887-169  
 Email: [info.de@wago.com](mailto:info.de@wago.com) | Web: [www.wago.com](http://www.wago.com)

Do you have any questions about our products?  
 We are always happy to take your call at +49 (571) 887-44222.

## CAD/CAE-Data

### CAE data

|                                    |                     |                          |
|------------------------------------|---------------------|--------------------------|
| EPLAN Data Portal 855-305/600-1001 | <a href="#">URL</a> | <a href="#">Download</a> |
| WSCAD Universe 855-305/600-1001    | <a href="#">URL</a> | <a href="#">Download</a> |
| EPLAN Data Portal 855-305/600-1001 | <a href="#">URL</a> | <a href="#">Download</a> |
| WSCAD Universe 855-305/600-1001    | <a href="#">URL</a> | <a href="#">Download</a> |
| ZUKEN Portal 855-305/600-1001      | <a href="#">URL</a> | <a href="#">Download</a> |

### CAD data

|                               |                     |                          |
|-------------------------------|---------------------|--------------------------|
| 2D/3D Models 855-305/600-1001 | <a href="#">URL</a> | <a href="#">Download</a> |
|-------------------------------|---------------------|--------------------------|

## Environmental Product Compliance

### Compliance Search

|   |                     |                          |
|---|---------------------|--------------------------|
| Environmental Product Compliance 855-305/600-1001 | <a href="#">URL</a> | <a href="#">Download</a> |
|---|---------------------|--------------------------|

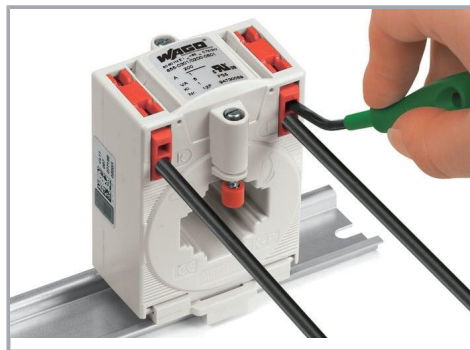
Plug-in current transformer; Primary rated current: 600 A; Secondary rated current: 5 A; Rated power: 10 VA; Accuracy class: 1

## Installation Notes

### Conductor termination



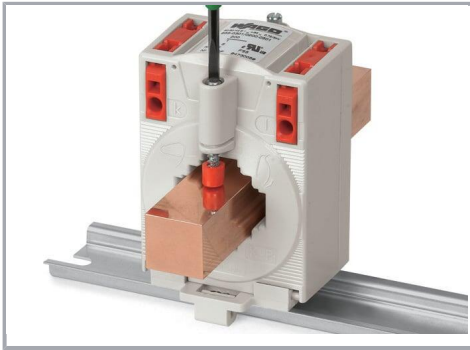
Conductor termination – screwdriver actuation perpendicular to conductor entry



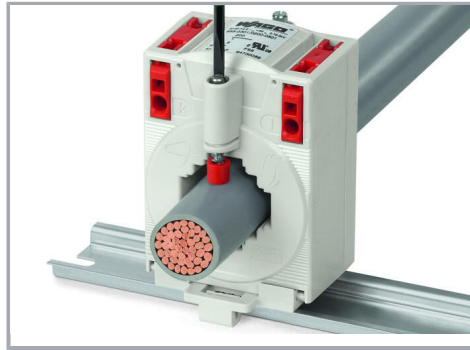
Conductor termination – screwdriver actuation parallel to conductor entry

### Installation

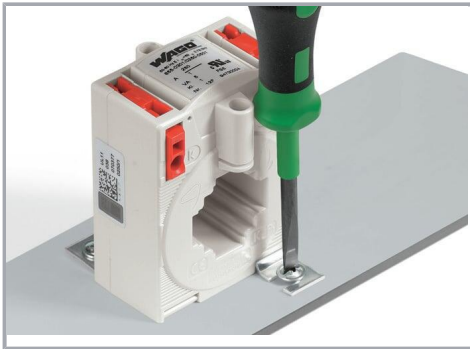
Subject to changes. Please also observe the further product documentation!



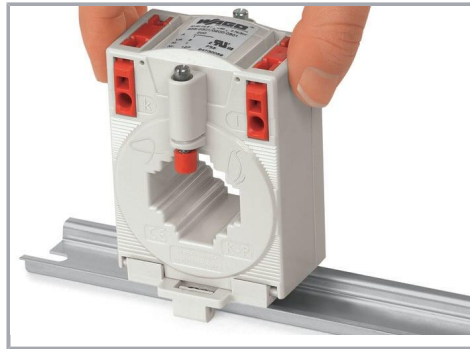
Installation on copper current bar



Installation on round cable



Installation on mounting plate



Mounting on DIN-rail via 855-9900 DIN-Rail Adapter



Installation via 855-9910 Quick-Mount Kit

Subject to changes. Please also observe the further product documentation!

WAGO GmbH & Co. KG  
Hansastr. 27  
32423 Minden  
Phone: +49571 887-0 | Fax: +49571 887-169  
Email: [info.de@wago.com](mailto:info.de@wago.com) | Web: [www.wago.com](http://www.wago.com)

Do you have any questions about our products?  
We are always happy to take your call at +49 (571) 887-44222.