

PART NUMBER	REV	FIRST USED
567405-1	L	854400-1
567405-2	N	565435-5
567405-3	L	354500-1
567405-4	-	SEE DRW 567405-4

TERMINAL NAME: .187 SERIES FLAG POS LOK-EX RECPT					
CRIMPING DATA					
PAD LTR	CRIMP HEIGHT	WIRE SIZE			
A	.038 ±.002 [0.96 ±0.05mm]	16			
B	.035 ±.002 [0.89 ±0.05mm]	18			
C	.033 ±.002 [0.84 ±0.05mm]	20,22,0R 0.50mm <sup>2</sup>			
D	.035 ±.002 [0.89 ±0.05mm]	(2) 0.50mm <sup>2</sup>			
CRIMP	SIZE	TYPE	RANGE		
WIRE	.140 [3.56mm]	TAB LOCK	22-16		
INSUL	.140 [3.56mm]	0	.059-.170		
WIRE STRIP LENGTH	TERM APPL SPEC	FEED	APPL INSTRUCTION	SET UP GAGE	LAYOUT
.165-.205	114-5118	.567	408-8031	-	L1412 L1886

-1	LEADMAKER	MECH POST FEED
-2	BENCH K	MECH PRE FEED
-3	BENCH G	MECH PRE FEED

REVISIONS					
P	LTR	DESCRIPTION	DATE	DRN	APVD
N		REVISED -2 PER ECR-22-160105	02DEC2022	GK	GB

1	1	1	-	22594-8	NUT, HEX	70
1	1	1	-	240628-1	PLATE, ADJ	69
1	1	1	-	240626-1	SHAFT, PIVOT	68
1	1	1	-	240633-1	BUSHING	67
1	1	1	-	240630-1	LEVER, INTERMEDIATE	66
1	1	1	-	1804317-1	BLOCK, PIVOT	65
1	1	1	-	1633286-1	SCR, ADJ	64
1	1	1	-	240659-3	PIN, CAM ROLLER	63
1	1	1	-	240658-1	ROLER, CAM	62
1	1	1	-	240631-1	ROD, FEED	61

1	1	1	-	2217626-1	CAP, RAM	59
1	1	1	-	2217625-1	HOUSING	58
1	1	1	-	458361-1	GUIDE,FEED ROD	57
1	1	1	-	240624-1	PIN, FEED FINGER	56
1	1	1	-	691499-1	SPRING, FEED FINGER	55
1	1	1	-	454568-1	FINGER, FEED	54
1	1	1	-	240634-1	LEVER, TERMINAL	53
-	1	-	-	690696-1	CAM, PRE FEED 1 1/8 ST	52
1	1	1	-	2256119-1	SCREW, SHOULDER	51
1	1	1	-	3-21002-5	BOLT, CRIMPER	50
1	-	-	-	453991-1	CAM, PRE-FEED 1 5/8 ST	49
-	-	1	-	238015-1	CAM, POST-FEED 1 5/8 ST	48
1	1	1	-	690578-3	BLOCK, INSULATION ADJUST	47
1	1	1	-	690191-1	PLUG, NYLON	46
1	1	1	-	2217624-1	RAM	45
1	1	1	-	690125-1	WASHER, LAMINATED	44
1	1	1	-	690124-4	WASHER, RAM	43
1	1	1	-	23241-6	BALL, STEEL	42
1	1	1	-	690170-1	SPRING, COMPRESSION	41
1	1	1	-	690142-1	DISC, INSULATION	40
1	1	1	-	354777-1	WIRE DISC, PLASTIC	39
1	1	1	-	22480-5	WASHER, SPRING	38
1	1	1	-	690212-1	POST, RAM	37
1	1	1	-	3-23846-5	SPRING, HINGE BAR	36
1	1	1	-	690573-1	SPACER, SPRING	35
1	1	1	-	454569-1	MOUNT, DRAG	34
1	1	1	-	1-22354-8	STUD, DRAG	33
1	1	1	-	21030-2	PIN, MOUNT, DRAG	32
1	1	1	-	690582-1	PIN, HINGE	31
-	-	-	-	-	-	30
1	1	1	-	684905-1	PLATE, BASE	29
1	1	1	-	454579-2	HINGE BAR	28
1	1	1	-	690571-1	BLOCK, STABILIZER	27
1	1	1	-	690585-1	BLOCK, PRESSURE	26
1	1	1	-	22282-5	SPRING, DRAG	25
1	1	1	-	21030-6	LEVER, DRAG	24
1	1	1	-	454570-1	DRAG, STOCK	23
1	1	1	-	454573-1	GUIDE, STRIP (REAR)	22
1	1	1	-	318739-3	GUIDE, STRIP (FRONT)	21
1	1	1	-	4-22284-6	SPRING, FEED RETURN	20
1	1	1	-	1-692134-7	POSITIONER, TERMINAL	19
1	1	1	-	5-22280-5	SPRING, TERM. POSITIONER	18
1	1	1	-	454712-6	PLATE, REAR SHEAR	17
1	1	1	-	454578-1	ANVIL INSERT	16
1	1	1	-	690569-3	PLATE, FRONT SHEAR	15
1	1	1	-	690718-1	ANVIL	14
1	1	1	-	454575-8	BLADE, SLUG	13
-	-	-	-	-	-	12
1	1	1	-	684906-1	PLATE,ANVIL RETAINING	11
1	1	1	-	690574-1	SPACER,TUBULAR INSUL CRIMPER	10
1	1	1	-	690715-1	CRIMPER, INSULATION	9
-	-	-	-	-	-	8
1	1	1	-	690716-3	CRIMPER, WIRE	7
-3	-2	-1	U/M	PART NO	DESCRIPTION	ITEM NO
1	1	1	-	458109-1	WASHER, SPECIAL	71
1	1	1	-	690517-1	SPACER	72
1	1	1	-	6-23715-5	SCR,PAN HD(6-32x1.50)FEED ADJ	73
1	1	1	-	23030-1	SCREW, SHC(NYLOK)(6-32X.25)	74
-	REF	-	-	455745-1	GUARD, WINDOW	75
REF	-	-	-	679532-1	INSERT, GUARD	76
-	1	-	-	694427-1	PLATE, MOUNTING	77
2	2	2	-	21017-2	SCR,DRIVE(#2X.19)ID	78
1	1	1	-	461264-1	PLATE, IDENTIFICATION	79
1	1	1	-	690603-1	SPRING, ASSIST	80
1	1	1	-	458109-1	WASHER, SPECIAL	71
1	1	1	-	690517-1	SPACER	72

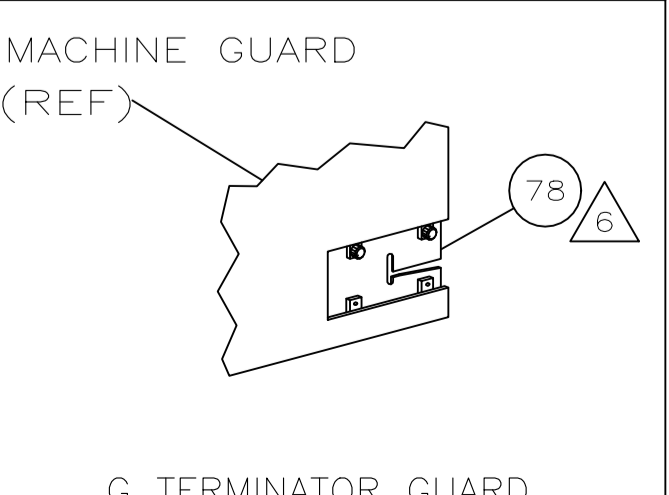
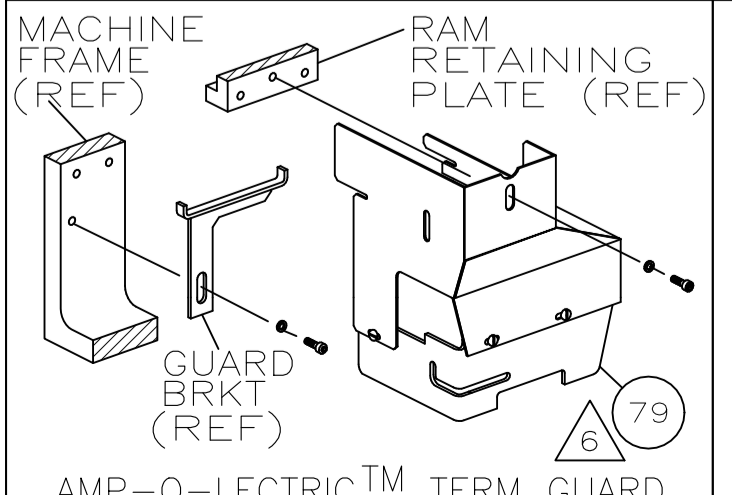
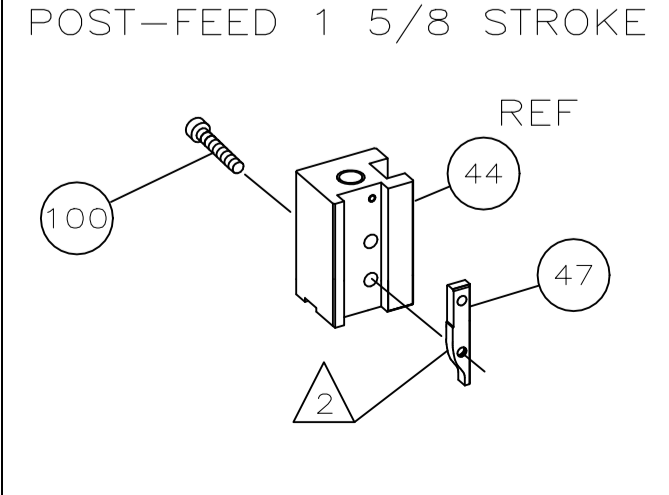
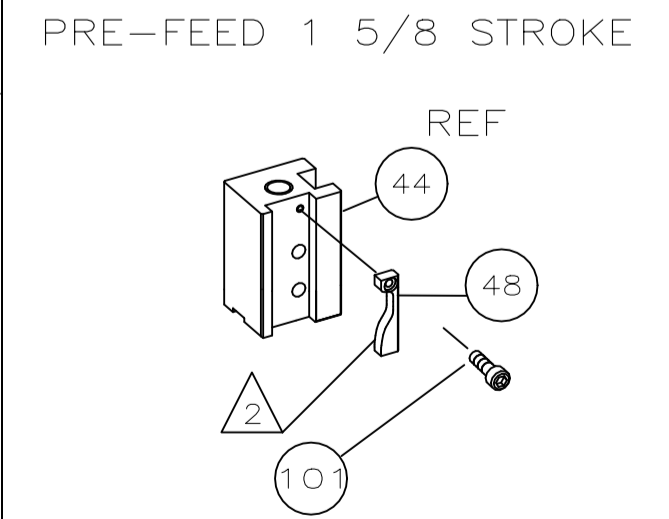
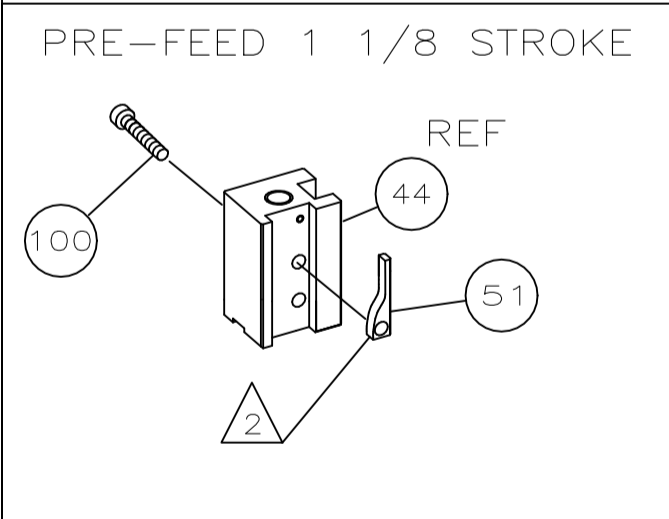
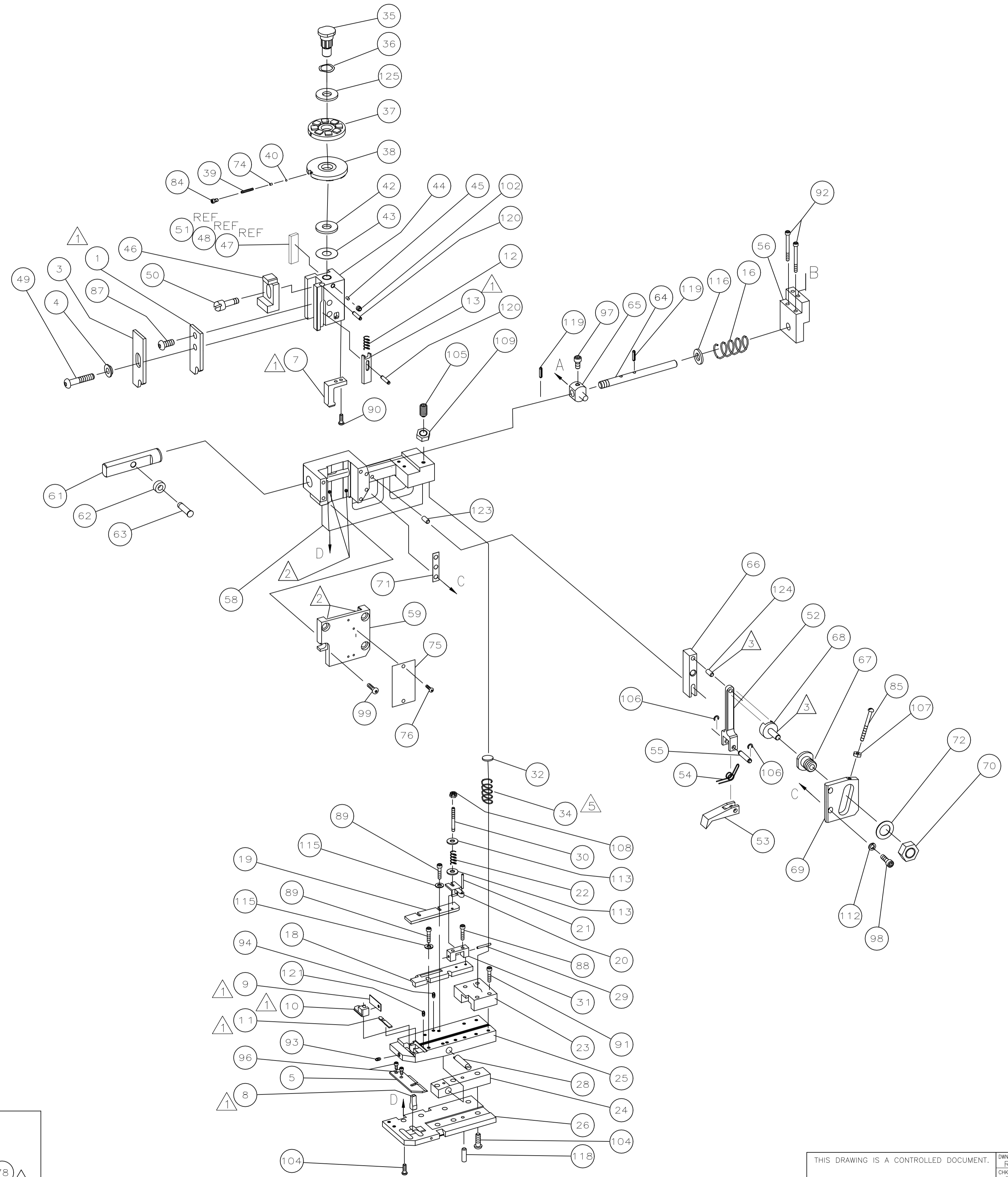
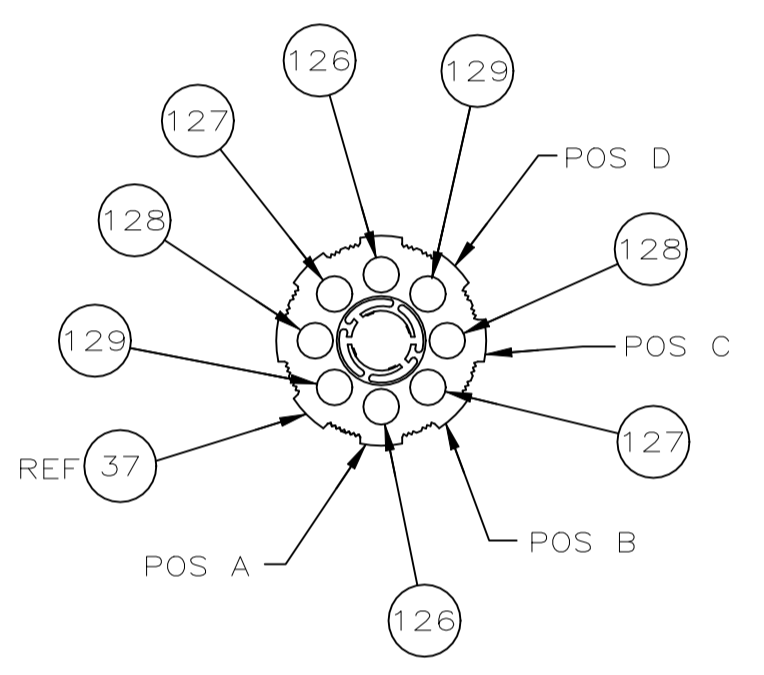
1	1	1	-	22594-8	NUT, HEX	70
1	1	1	-	240628-1	PLATE, ADJ	69
1	1	1	-	240626-1	SHAFT, PIVOT	68
1	1	1	-	240633-1	BUSHING	67
1	1	1	-	240630-1	LEVER, INTERMEDIATE	66
1	1	1	-	1804317-1	BLOCK, PIVOT	65
1	1	1	-	1633286-1	SCR, ADJ	64
1	1	1	-	240659-3	PIN, CAM ROLLER	63
1	1	1	-	240658-1	ROLER, CAM	62
1	1	1	-	240631-1	ROD, FEED	61

1	1	1	-	2217626-1	CAP, RAM	59
1	1	1	-	2217625-1	HOUSING	58
1	1	1	-	458361-1	GUIDE,FEED ROD	57
1	1	1	-	240624-1	PIN, FEED FINGER	56
1	1	1	-	691499-1	SPRING, FEED FINGER	55
1	1	1	-	454568-1	FINGER, FEED	54
1	1	1	-	240634-1	LEVER, TERMINAL	53
-	1	-	-	690696-1	CAM, PRE FEED 1 1/8 ST	52
1	1	1	-	2256119-1	SCREW, SHOULDER	51
1	1	1	-	3-21002-5	BOLT, CRIMPER	50
1	-	-	-	453991-1	CAM, PRE-FEED 1 5/8 ST	49
-	-	1	-	238015-1	CAM, POST-FEED 1 5/8 ST	48
1	1	1	-	690578-3	BLOCK, INSULATION ADJUST	47
1	1	1	-	690191-1	PLUG, NYLON	46
1	1	1	-	2217624-1	RAM	45
1	1	1	-	690125-1	WASHER, LAMINATED	44
1	1	1	-	690124-4	WASHER, RAM	43
1	1	1	-	23241-6	BALL, STEEL	42
1	1	1	-	690170-1	SPRING, COMPRESSION	41
1	1	1	-	690142-1	DISC, INSULATION	40
1	1	1	-	354777-1	WIRE DISC, PLASTIC	39
1	1	1	-	22480-5	WASHER, SPRING	38
1	1	1	-	690212-1	POST, RAM	37
1	1	1	-	3-23846-5	SPRING, HINGE BAR	36
1	1	1	-	690573-1	SPACER, SPRING	35
1	1	1	-	454569-1	MOUNT, DRAG	34
1	1	1	-	1-22354-8	STUD, DRAG	33
1	1	1	-	21030-2	PIN, MOUNT, DRAG	32
1	1	1	-	690582-1	PIN, HINGE	31
-	-	-	-	-	-	30
1	1	1	-	684905-1	PLATE, BASE	29
1	1	1	-	454579-2	HINGE BAR	28
1	1	1	-	690571-1	BLOCK, STABILIZER	27
1	1	1	-	690585-1	BLOCK, PRESSURE	26
1	1	1	-	22282-5	SPRING, DRAG	25
1	1	1	-	21030-6	LEVER, DRAG	24
1	1	1	-	454570-1	DRAG, STOCK	23
1	1	1	-	454573-1	GUIDE, STRIP (REAR)	22
1	1	1	-	318739-3	GUIDE, STRIP (FRONT)	21
1	1	1	-	4-22284-6	SPRING, FEED RETURN	20
1	1	1	-	1-692134-7	POSITIONER, TERMINAL	19
1	1	1	-	5-22280-5	SPRING, TERM. POSITIONER	18
1	1	1	-	454712-6	PLATE, REAR SHEAR	17
1	1	1	-	454578-1	ANVIL INSERT	16
1	1	1	-	690569-3	PLATE, FRONT SHEAR	15
1	1	1	-	690718-1	ANVIL	14
1	1	1	-	454575-8	BLADE, SLUG	13
-	-	-	-	-	-	12
1	1	1	-	684906-1	PLATE,ANVIL RETAINING	11
1	1	1	-	690574-1	SPACER,TUBULAR INSUL CRIMPER	10
1	1	1	-	690715-1	CRIMPER, INSULATION	9
-	-	-	-	-	-	8
1	1	1	-	690716-3	CRIMPER, WIRE	7

1	1	1	-	22594-8	NUT, HEX	70
1	1	1	-	240628-1	PLATE, ADJ	69
1	1	1	-	240626-1	SHAFT, PIVOT	68
1	1	1	-	240633-1	BUSHING	67
1	1	1	-	240630-1	LEVER, INTERMEDIATE	66
1	1	1	-	1804317-1	BLOCK, PIVOT	65
1	1	1	-	1633286-1	SCR, ADJ	64
1	1	1	-	240659-3	PIN, CAM ROLLER	63
1	1	1	-	240658-1	ROLER, CAM	62
1	1	1	-	240631-1	ROD, FEED	61

1	1	1	-	2217626-1	CAP, RAM	59
1	1	1	-	2217625-1	HOUSING	58
1	1	1	-	458361-1	GUIDE,FEED ROD	57
1	1	1	-	240624-1	PIN, FEED FINGER	56
1	1	1	-	691499-1	SPRING, FEED FINGER	55
1	1	1	-	454568-1	FINGER, FEED	54
1	1	1	-	240634-1	LEVER, TERMINAL	53
-	1	-	-	690696-1	CAM, PRE FEED 1 1/8 ST	52
1	1	1	-	2256119-1	SCREW, SHOULDER	51
1	1	1	-	3-21002-5	BOLT, CRIMPER	50
1	-	-	-	453991-1	CAM, PRE-FEED 1 5/8 ST	49
-	-	1	-	238015-1	CAM, POST-FEED 1 5/8 ST	48
1	1	1	-	690578-3	BLOCK, INSULATION ADJUST	47
1	1	1	-	690191-1	PLUG, NYLON	46
1	1	1	-	2217624-1	RAM	45
1	1	1	-	690125-1	WASHER, LAMINATED	44
1	1	1	-	690124-4	WASHER, RAM	43
1	1	1	-	23241-6	BALL, STEEL	42
1	1	1	-	690170-1	SPRING, COMPRESSION	41
1	1	1	-	690142-1	DISC, INSULATION	40
1	1	1	-	354777-1	WIRE DISC, PLASTIC	39
1	1	1	-	22480-5	WASHER, SPRING	38
1	1	1	-	690212-1	POST, RAM	37
1	1	1	-	3-23846-5	SPRING, HINGE BAR	36
1	1	1	-	690573-1	SPACER, SPRING	35
1	1	1	-	454569-1	MOUNT, DRAG	34
1	1	1	-	1-22354-8	STUD, DRAG	33
1	1	1	-	21030-2	PIN, MOUNT, DRAG	32
1	1	1	-	690582-1	PIN, HINGE	31
-	-	-	-	-	-	30
1	1	1	-	684905-1	PLATE, BASE	29
1	1	1	-	454579-2	HINGE BAR	28
1	1	1	-	690571-1	BLOCK, STABILIZER	27
1	1	1	-	690585-1	BLOCK, PRESSURE	26
1	1	1	-	22282-5	SPRING, DRAG	25
1	1	1	-	21030-6	LEVER, DRAG	24
1	1	1	-	454570-1	DRAG, STOCK	23
1	1	1	-	45		

REVISIONS				
P	LTR	DESCRIPTION	DATE	APVD
-	-	SEE SHEET 1	-	-



THIS DRAWING IS A CONTROLLED DOCUMENT.		DWG: R O WILSON 7-18-95	
DIMENSIONS: INCHES		CHK: C FRISMAN 7-19-95	
TOLERANCES UNLESS OTHERWISE SPECIFIED:		APVD: A BEDDICK 7-21-95	NAME: END FEED HINGE BAR APPLICATOR
0. PLC	± .005	PRODUCT SPEC	APPLICATION SPEC
1. PLC	± .010	SIZE	RESTRICTED TO
2. PLC	± .015	SCALE	100779
3. PLC	± .020	DRAWING NO	567405
4. PLC	± .030	WEIGHT	A1
ANGLES	± .005	CUSTOMER DRAWING	SCALE: - SHEET 2 OF 2 REV N