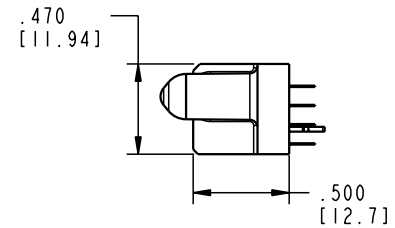
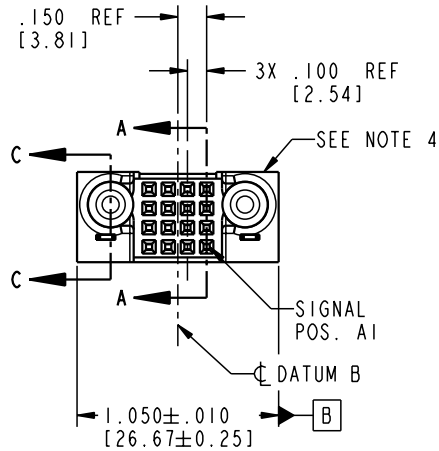


Tous droits strictement réservés. Reproduction ou communication o des liers interdite sous quelque forme que ce soit sans autorisation écrite du propriétaire. Propriete de c FCI. Droits de reproduction FCI.

All rights strictly reserved. Reproduction or issue to third parties in any form whenever is not permitted without written authority from the proprietor. Property of FCI. Copyright FCI.

FCI

PRODUCT NO.	ROWS	SIGNAL				
		E2	4	3	2	1
51940-086	D C B A					



CODE	DIM "M" MATING LENGTH	CONTACT TYPE
E	N/A [N/A]	SIGNAL
HA	N/A [N/A]	HOLD-DOWN

mat'l code				SEE NOTE 2		tolerances unless otherwise specified		CUSTOMER		FCI www.fciconnect.com	
ltr	ecm no.	dr	date	linear	.XX±.01/0.X±0.3		COPY		projection	title	
A	V04-0314	TAB	03/29/04		.XXX±.005/0.XX±0.13		INCH/MM			16S	
					.XXX±.0020/0.XXX±0.051		1:1			VERTICAL SOLDER RECEPT	
				angles	0° ± 2°		dr		product family		
							T. BRUNGARD 03/29/04		PwrBlade		
							engr		code		
							M. GRAY 03/29/04		213		
							chr		size		
							M. GRAY 03/29/04		dwg no		
							appd		A		
							M. GRAY 03/29/04		51940-086		
sheet index	revision sheet	A	A	A	A					sheet	
		1	2	3	4					1 of 4	

Pro/E

cage code 22526

PDM: Rev:A

STATUS: Released

Printed: Dec 20, 2010

Tous droits strictement reserves. Reproduction ou communication a des tiers interdite sous quelque forme que ce soit sans autorisation écrite du propriétaire. Propriete de c FCI. Droits de reproduction FCI.

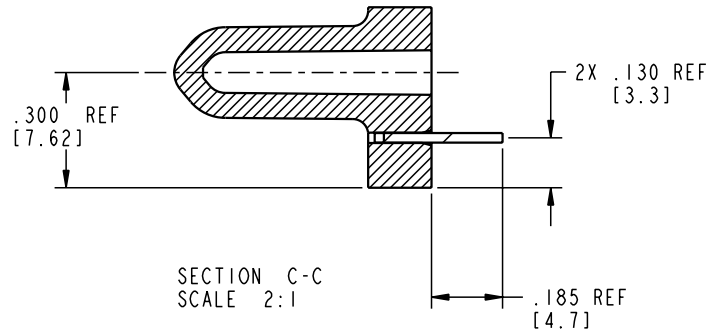
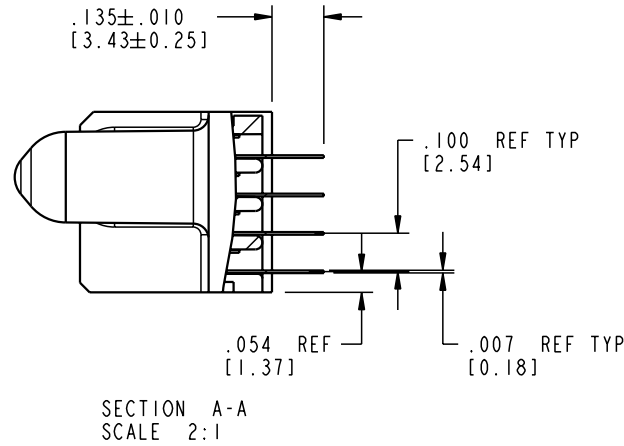
A
FCI

All rights strictly reserved. Reproduction or issue to third parties in any form whatever is not permitted without written authority from the proprietor. Property of FCI. Copyright FCI.

A

B

PRODUCT NUMBER
51940-086



mat'l code				SEE NOTE 2		tolerances unless otherwise specified		CUSTOMER		 www.fciconnect.com	
ltr	ecm no.	dr	date	linear	.XX ± .01 / 0.X ± 0.3		COPY		 projection	title	
A					.XXX ± .005 / 0.XXX ± 0.13		 INCH/MM			16S	
				angles	.XXX ± .0020 / 0.XXX ± 0.051		 scale		VERTICAL SOLDER RECEIPT		
				dr	T. BRUNGARD	03/29/04	product family		PwrBlade	code	
				engr	M. GRAY	03/29/04	size		dwg no	213	
				chr	M. GRAY	03/29/04	A		51940-086		sheet
				appd	M. GRAY	03/29/04	1:1				2 of 4
sheet index		revision sheet									

A

B

1 | 2

3 |

4

1 | 2

Pro/E

3 |

cage code
22526

4

PDM: Rev:A

STATUS: **Released**

Printed: Dec 20, 2010

Tous droits strictement reserves. Reproduction ou communication a des tiers interdite sous quelque forme que ce soit sans autorisation écrite du propriétaire. Propriete de c FCI. Droits de reproduction FCI.

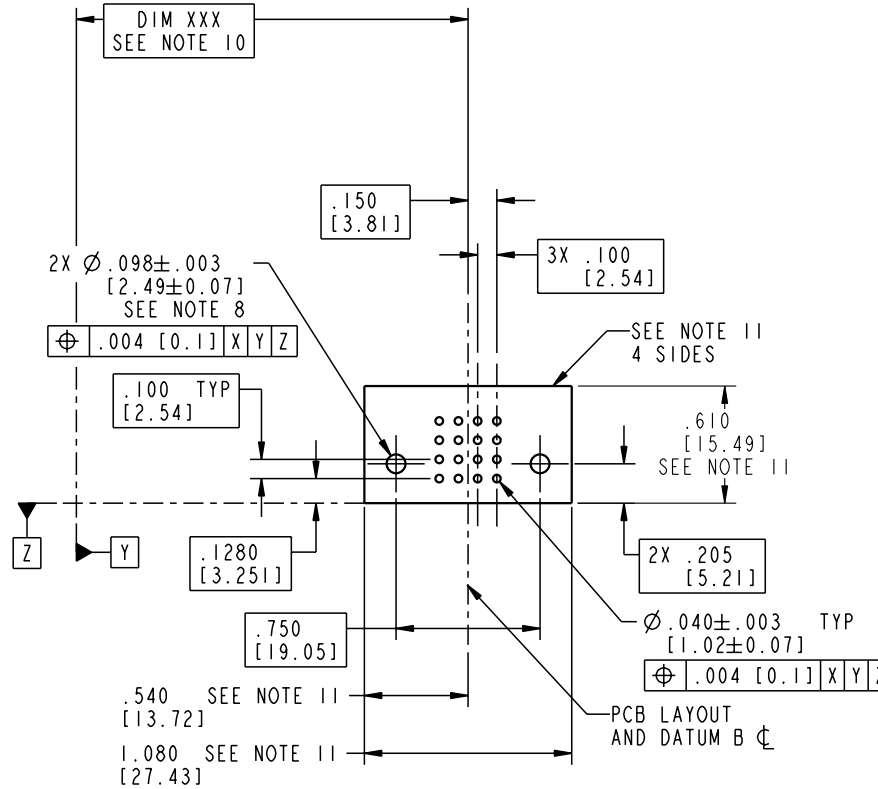
A
FCI

All rights strictly reserved. Reproduction or issue to third parties in any form whatever is not permitted without written authority from the proprietor. Property of FCI. Copyright FCI.

A

A

PRODUCT NUMBER
51940-086



mat'l code				SEE NOTE 2		tolerances unless otherwise specified		CUSTOMER		 www.fciconnect.com	
ltr	ecm no.	dr	date	linear	.XX±.01/0.X±0.3	projection	COPY		title		
A				angles	.XXX±.005/0.XXX±0.13				16S		
				dr	.XXX±.0020/0.XXX±0.051		INCH/MM		VERTICAL SOLDER RECEIPT		
				enr	0° ± 2°	scale	1:1		product family		code
				chr	T. BRUNGARD 03/29/04				PwrBlade		213
				appd	M. GRAY 03/29/04				size		sheet
					M. GRAY 03/29/04				A 51940-086		3 of 4
sheet index	revision sheet										

B

B

1 | 2

Pro/E

3 |

cage code 22526

4

PDM: Rev:A

STATUS: Released

Printed: Dec 20, 2010

Tous droits strictement réservés. Reproduction ou communication o des tiers interdite sous quelque forme que ce soit sans autorisation écrite du propriétaire. Propriete de c FCI. Droits de reproduction FCI.

A
FCI

All rights strictly reserved. Reproduction or issue to third parties in any form, whatever is not permitted without written authority from the proprietor. Property of FCI. Copyright FCI.

A

B

PRODUCT NUMBER
51940-086

NOTES:

1. DIMENSIONS AND TOLERANCES ARE IN ACCORDANCE WITH ASME Y14.5M, 1994 UNLESS OTHERWISE SPECIFIED.

CONNECTOR NOTES:

2 HOUSING MATERIAL: UL 94 V-0 GLASS FILLED
HIGH-TEMP THERMOPLASTIC
SIGNAL PIN MATERIAL: COPPER ALLOY

3. PLATING:
SIGNAL PINS: 30u"/0.76um Au OVER 50u"/1.27um Ni

4 MANUFACTURER'S NAME, P/N, AND DATE CODE TO APPEAR ON THIS SURFACE.

5. PRODUCT SPECIFICATION GS-12-149.
APPLICATION SPECIFICATION BUS-20-067.

6. PACKAGED IN TRAYS.

PCB NOTES:


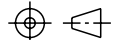
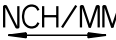
7. ALL HOLE DIAMETERS ARE FINISHED HOLE SIZE.

8 MOUNTING HOLES, WHERE APPLICABLE, ARE UNPLATED.

9 $\varnothing .0453 \pm .0010$ [1.151 \pm 0.025] DRILLED HOLES PLATED WITH
.0003 [0.008] MIN SnPb OVER .001 [0.03]
TO .003 [0.08] Cu PLATING TO ACHIEVE
 $\varnothing .040 \pm .003$ [1.02 \pm .07] HOLE.

10 "DIM XXX" TO BE DETERMINED BY THE CUSTOMER.

11 CONNECTOR KEEP-OUT ZONE.

mat'l code				SEE NOTE 2		tolerances unless otherwise specified		CUSTOMER		 FCI www.fciconnect.com	
ltr	ecn no.	dr	date	linear	.XX±.01/0.X±0.3		COPY			title	
A					.XXX±.005/0.XXX±0.13		projection			16S	
				angles	.XXX±.0020/0.XXX±0.051				VERTICAL SOLDER RECEPT		
				dr	T. BRUNGARD	03/29/04	INCH/MM		product family		code
				enr	M. GRAY	03/29/04	scale		PwrBlade		213
				chr	M. GRAY	03/29/04	1:1		size		sheet
				appd	M. GRAY	03/29/04			A		4 of 4
sheet index		revision sheet									

A

B

1 | 2

3 |

4

1 | 2

Pro/E

3 |

cage code 22526

4