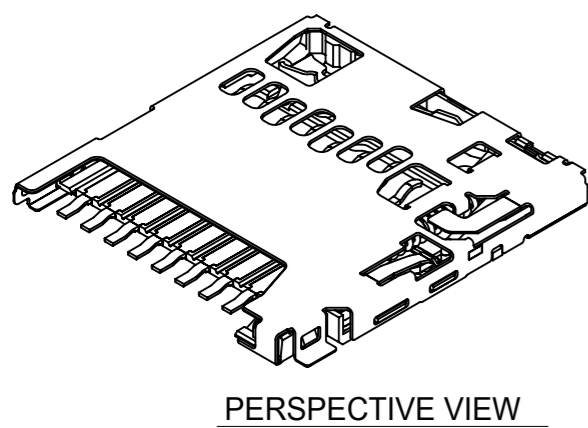


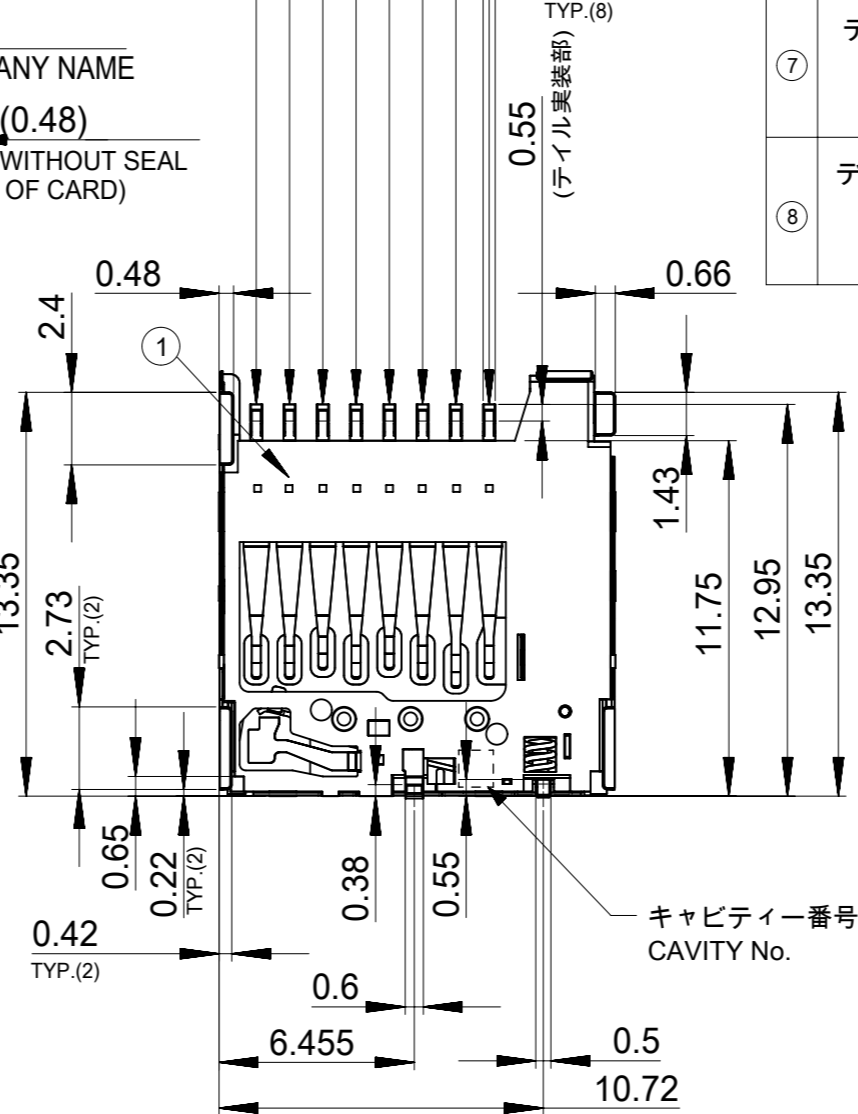
- Pin No.1: DAT2
- Pin No.2: CD/DAT3²
- Pin No.3: CMD
- Pin No.4: V DD
- Pin No.5: CLK
- Pin No.6: V ss
- Pin No.7: DAT0
- Pin No.8: DAT1

ロット番号
Lot No.
809011

8 : Year(2008)
09: Month(9)
01: Day(1)
1 : Line No.



10. GENERAL TOLERANCES
10UNDER ±0.2
10OVER 30 UNDER ±0.25
30OVER ±0.3



番号 NO.	名称 NAME	材料 MATERIAL	仕上げ(めっき) FINISHES (PLATING)
①	ハウジング HOUSING	液晶ポリマー(LCP)、ガラス充填、UL94V-0、黒 LIQUID CRYSTAL POLYMER (LCP), GLASS FILLED, UL94 V-0, BLACK	
②	カムスライダー CAM SLIDER	液晶ポリマー、(LCP)、ガラス充填、UL94V-0、黒 LIQUID CRYSTAL POLYMER (LCP), GLASS FILLED, UL94 V-0, BLACK	
③	ターミナル TERMINAL	燐青銅 PHOSPOHR BRONZE	接触部: 金めっき (0.5µm MIN.) テール部: 錫めっき (2.0µm MIN.) 下地: ニッケルめっき (1.0µm MIN.) CONTACT AREA : GOLD PLATING (0.5 MICROMETER MINIMUM.) SOLDER TAIL AREA : TIN PLATING (2.0 MICROMETER MINIMUM.) UNDERPLATE : NICKEL OVERALL (1.0 MICROMETER MINIMUM.)
④	シェル SHELL	ステンレス鋼 STAINLESS STEEL	ステンレス鋼 基板実装部: 金めっき 下地: ニッケルめっき NAIL AREA : GOLD PLATING UNDERPLATE : NICKEL OVERALL
⑤	スプリング SPRING	ピアノ線 SWP	全面: ニッケルめっき NICKEL OVERALL
⑥	ピン PIN	ステンレス鋼 STAINLESS STEEL	
⑦	ディテクトレバー DETECT LEVER	燐青銅 PHOSPOHR BRONZE	接触部: 金めっき (0.2µm MIN.) 基板実装部: 金めっき 下地: ニッケルめっき CONTACT AREA : GOLD PLATING (0.2 MICROMETER MINIMUM.) NAIL AREA : GOLD PLATING UNDERPLATE : NICKEL OVERALL
⑧	ディテクトスイッチ DETECT SWITCH	燐青銅 PHOSPOHR BRONZE	接触部: 金めっき (0.2µm MIN.) 基板実装部: 金めっき 下地: ニッケルめっき CONTACT AREA : GOLD PLATING (0.2 MICROMETER MINIMUM.) NAIL AREA : GOLD PLATING UNDERPLATE : NICKEL OVERALL

NOTES

1. ターミナル及びネイルの平坦度は0.1MAX (測定用定板面を基準)
TERMINAL AND NAIL COPLANARITY TO BE 0.1 MAX.(FROM GAUGE PLANE)
 2. スタンドオフ寸法 STAND OFF
 3. パターン禁止エリア PATTERN PROHIBITION AREA
 4. カード検知スイッチ DETECT SWITCH
- | | | | |
|---------|-------------------------|------|-------|
| カード挿入時 | CARD INSERTING POSITION | クローズ | CLOSE |
| カード未挿入時 | NO CARD | オープン | OPEN |
5. 肉抜き位置は任意とする。 CAVITY IS TO BE OPTIONAL.
 6. ロット印字は任意とする。 LOT NUMBERING IS TO BE OPTIONAL.
 7. GND推奨パターン GND RECOMMENDED PATTERN.
 8. ELV及びRoHS適合品 ELV AND RoHS COMPLIANT.
 9. カード裏挿し誤挿入時、カード突出エリア (他の部品の設置、非推奨範囲)
WHEN A CARD IS MISS-MATED IN THE REVERSE ORIENTATION, PART OF THE CARD PROTRUDES FROM THE SHELL DUE TO THE CARD-MISS MATING PREVENTION FEATURE. THEREFORE, NO COMPONENTS ARE ALLOWED TO BE PLACED IN THIS AREA.

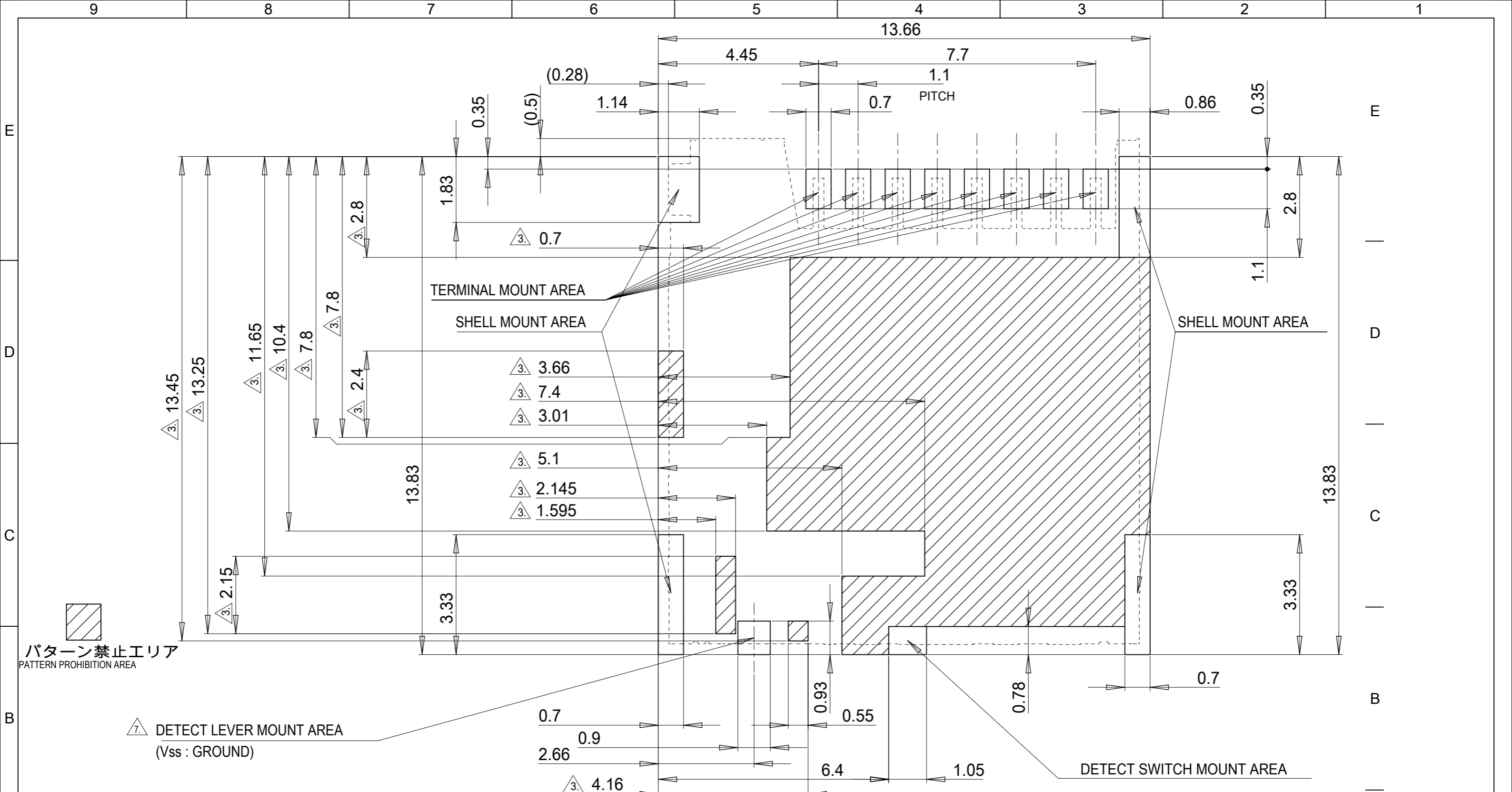
503398-0891		8
EMBOSSED PACKAGE		極数
オーダー番号	ORDER NO.	CIRCUITS
CONNECTOR SERIES No. 503398-0811		

THIS DRAWING CONTAINS INFORMATION THAT IS PROPRIETARY TO MOLEX ELECTRONIC TECHNOLOGIES, LLC AND SHOULD NOT BE USED WITHOUT WRITTEN PERMISSION

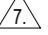
REVISED EC NO: 168584 DRWN: ESATO CHK'D: KTAKAHASHI APPR: NUKITA	2017/11/22	2017/12/05	2017/12/05
	GENERAL TOLERANCES (UNLESS SPECIFIED)		
	ANGULAR TOL ± 1.0 °		
	4 PLACES	± 0.2	
3 PLACES		± 0.25	
2 PLACES		± 0.3	
1 PLACE		± 0.1	
0 PLACES		± 0.2	
DRAFT WHERE APPLICABLE MUST REMAIN WITHIN DIMENSIONS			

DIMENSION UNITS	SCALE
MM	4:1
DRWN BY	DATE
YMATSUMOTO	2009/09/17
CHK'D BY	DATE
MTOMITA	2009/09/17
APPR BY	DATE
NUKITA	2009/09/17
DRAWING SIZE	THIRD ANGLE PROJECTION
A3	

molex	
MICRO SD CONN. PUSH/PUSH & NORMAL SUPER-SMALL TYPE	
PRODUCT CUSTOMER DRAWING	
SERIES	MATERIAL NUMBER
503398	
CUSTOMER	
GENERAL MARKET	
DOCUMENT NUMBER	DOC TYPE
SD-503398-001	PSD
DOC PART	SHEET NUMBER
001	1 OF 2




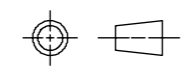

 パターン禁止エリア
 PATTERN PROHIBITION AREA

 DETECT LEVER MOUNT AREA
 (Vss : GROUND)

DETECT SWITCH MOUNT AREA

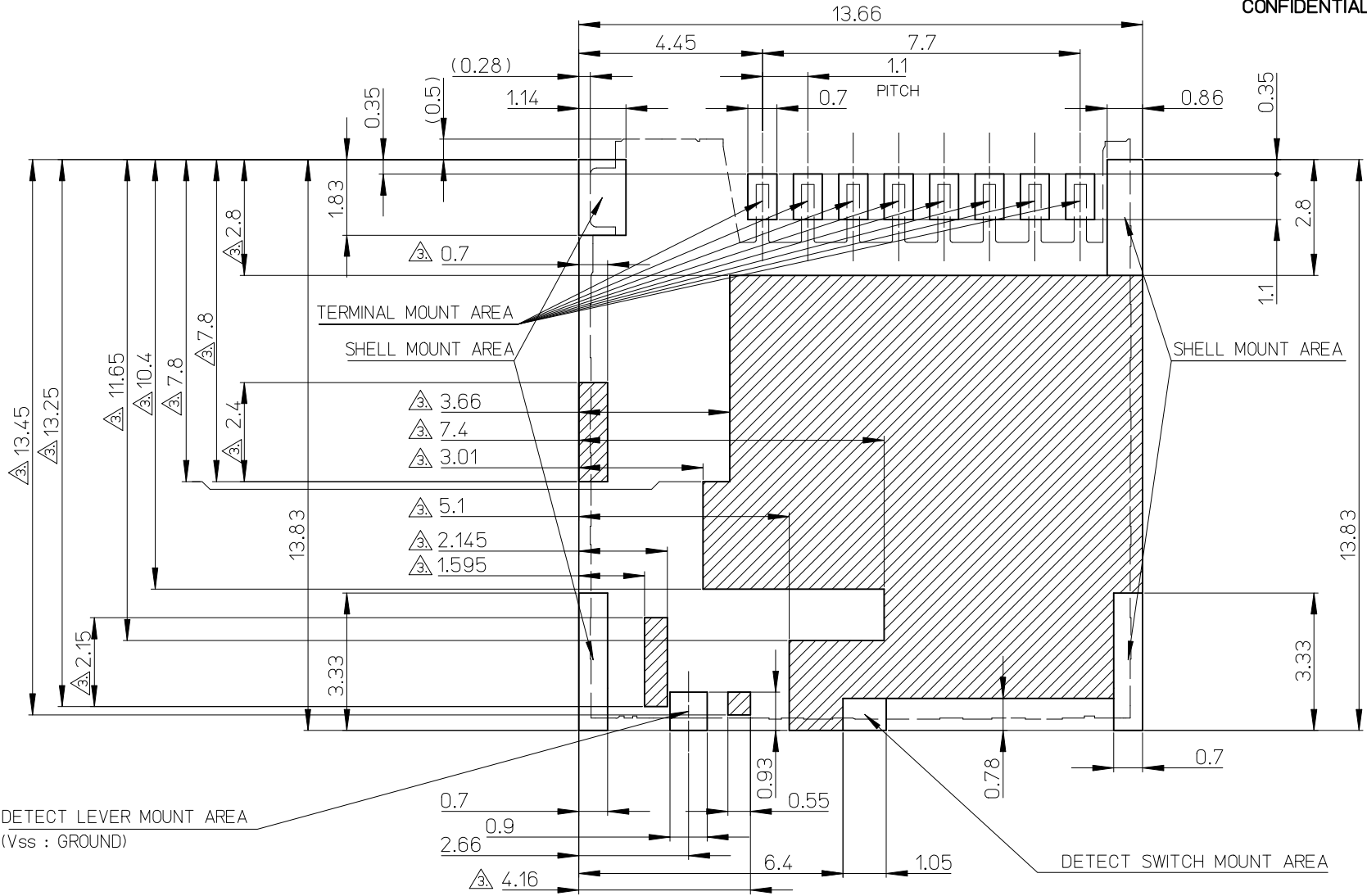
RECOMMENDED
 PCB PATTERN LAYOUT
 (GENERAL TOLERANCE : ±0.05)

THIS DRAWING CONTAINS INFORMATION THAT IS PROPRIETARY TO MOLEX ELECTRONIC TECHNOLOGIES, LLC AND SHOULD NOT BE USED WITHOUT WRITTEN PERMISSION

REVISED EC NO: 168584 DRWN: ESATO CHK'D: TAKAHASHI APPR: NUKITA	2017/11/22	GENERAL TOLERANCES (UNLESS SPECIFIED)		DIMENSION UNITS	SCALE	 MICRO SD CONN. PUSH/PUSH & NORMAL SUPER-SMALL TYPE			
	2017/12/05	ANGULAR TOL ± 1.0 °		MM	1:1				
	2017/12/05	4 PLACES	± 0.2	DRWN BY	DATE	PRODUCT CUSTOMER DRAWING			
		3 PLACES	± 0.25	YMATSUMOTO	2009/09/17				
		2 PLACES	± 0.3	CHK'D BY	DATE				
		1 PLACE	± 0.1	MTOMITA	2009/09/17	SERIES MATERIAL NUMBER CUSTOMER 503398 SD-503398-001 PSD 001 GENERAL MARKET 2			
		0 PLACES	± 0.2	APPR BY	DATE				
		DRAFT WHERE APPLICABLE MUST REMAIN WITHIN DIMENSIONS		DRAWING SIZE	THIRD ANGLE PROJECTION				
				A3					

10 9 8 7 6 5 4 3 2 1

CONFIDENTIAL



△ DETECT LEVER MOUNT AREA
(Vss : GROUND)

DETECT SWITCH MOUNT AREA

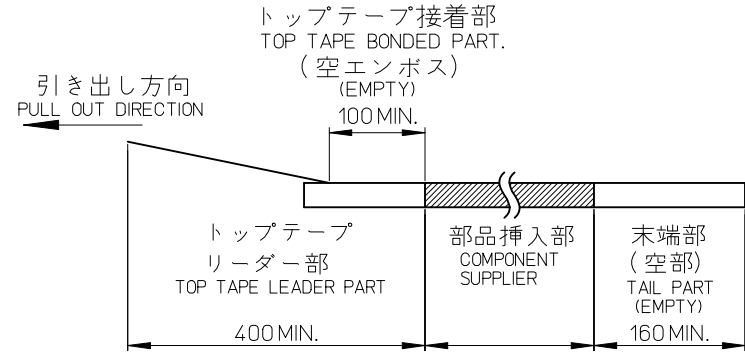
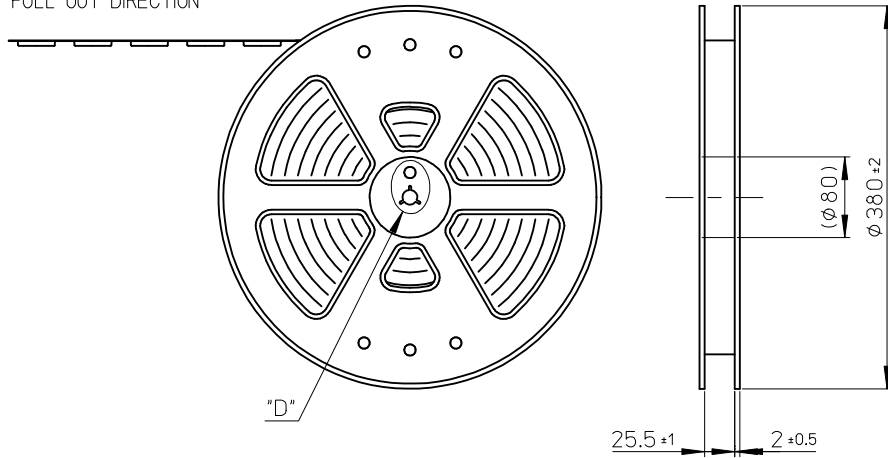
RECOMMENDED
PCB PATTERN LAYOUT
(GENERAL TOLERANCE : ±0.05)

PROPOSED EC NO: JZ010-00399 DRWN: YMATSUMOTO 2009/09/17 CHKD: MTOMITA 2009/09/17 APPR: NUKITA 2009/09/17	GENERAL TOLERANCES (UNLESS SPECIFIED)		DIMENSION STYLE MM ONLY		SCALE 4:1	DESIGN UNITS METRIC	THIRD ANGLE PROJECTION	
	10 UNDER ±0.2	10 OVER 30 UNDER ±0.25	30 OVER ±0.3	DRAWN BY YMATSUMOTO	DATE 2009/09/09	TITLE MICRO SD CONN. PUSH/PUSH & NORMAL SUPER-SMALL TYPE		
	ANGULAR ±1 °			CHECKED BY MTOMITA	DATE 2009/09/09	MOLEX INCORPORATED		
	DRAFT WHERE APPLICABLE MUST REMAIN WITHIN DIMENSIONS			APPROVED BY NUKITA	DATE 2009/09/09	MATERIAL NO. SEE CHART	DOCUMENT NO. SD-503398-001	SHEET NO. 2 OF 2

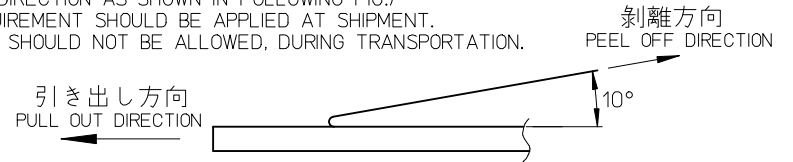
NOTES

- 製品詳細寸法については、SD 図面を参照下さい。
RE DETAILED DIMENSION, SEE SALES DRAWING.
- 梱包数量：2400個／リール
NUMBER OF CONNECTORS：2400 PCS/REEL.
- リードテープ長さ LEAD TAPE LENGTH.

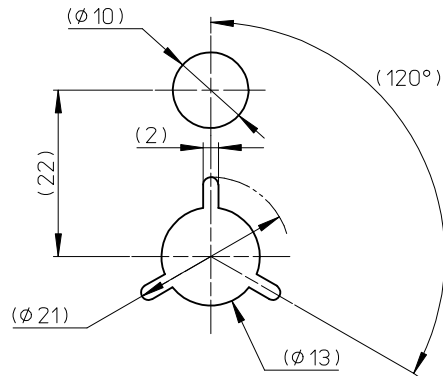
引き出し方向
PULL OUT DIRECTION



- トップテープの剥離強度：JIS C0806-3に準拠(剥離方向は下図参照)尚、本規格値は出荷時に適用。(但し、輸送時に剥離が発生しないこと。)
PEELING OFF FORCE OF TOP TAPE：BASED UPON JIS C0806-3 (PEELING DIRECTION AS SHOWN IN FOLLOWING FIG.) THIS REQUIREMENT SHOULD BE APPLIED AT SHIPMENT. PEEL OFF SHOULD NOT BE ALLOWED, DURING TRANSPORTATION.



- 材料 MATERIAL
キャリアテープ (CARRIER TAPE)：ポリスチレン (POLYSTYRENE)
トップテープ (TOP TAPE)：PET, PE, PEF
リール (REEL)：ポリスチレン(PS) <リサイクル材含む>
POLYSTYRENE (PS) <RECYCLE MATERIAL CONTAINED>



DETAIL "D"

503398-0891	8
EMBOSSED PACKAGE	極数
オーダー番号 ORDER NO.	CIRCUITS
CONNECTOR SERIES No. 503398-0811	

PROPOSED EC NO: J2010-0539 DRWN: YMATSUMOTO 2009/09/17 CHKD: YMATSUMOTO 2009/09/17 APPR: NUKITA 2009/09/17	DESCRIPTION REV: 0	GENERAL TOLERANCES (UNLESS SPECIFIED)		DIMENSION STYLE MM ONLY		SCALE 4:1	DESIGN UNITS METRIC	THIRD ANGLE PROJECTION	
		10 UNDER	±0.2	DRAWN BY YMATSUMOTO	DATE 2009/02/02	TITLE EMBOSSED TAPE PACKAGE FOR 503398-08**			
		10 OVER 30 UNDER	±0.25	CHECKED BY MTOMITA	DATE 2009/02/02	MATERIAL NO. SEE CHART			
		30 OVER	±0.3	APPROVED BY NUKITA	DATE 2009/02/02	DOCUMENT NO. SD-503398-002			
ANGULAR ±1 °		DRAFT WHERE APPLICABLE MUST REMAIN WITHIN DIMENSIONS		SIZE A3		SHEET NO. 1 OF 2			

10 9 8 7 6 5 4 3 2 1

F

E

D

C

B

A

F

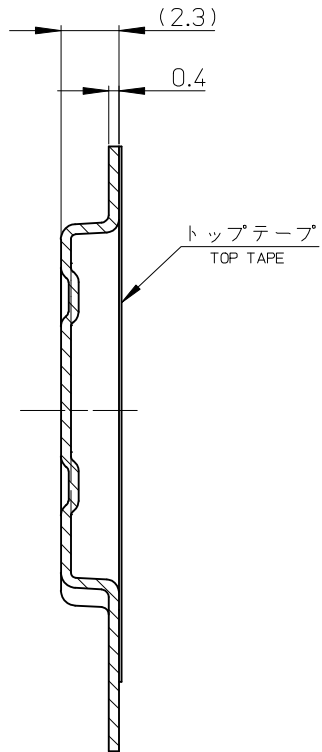
E

D

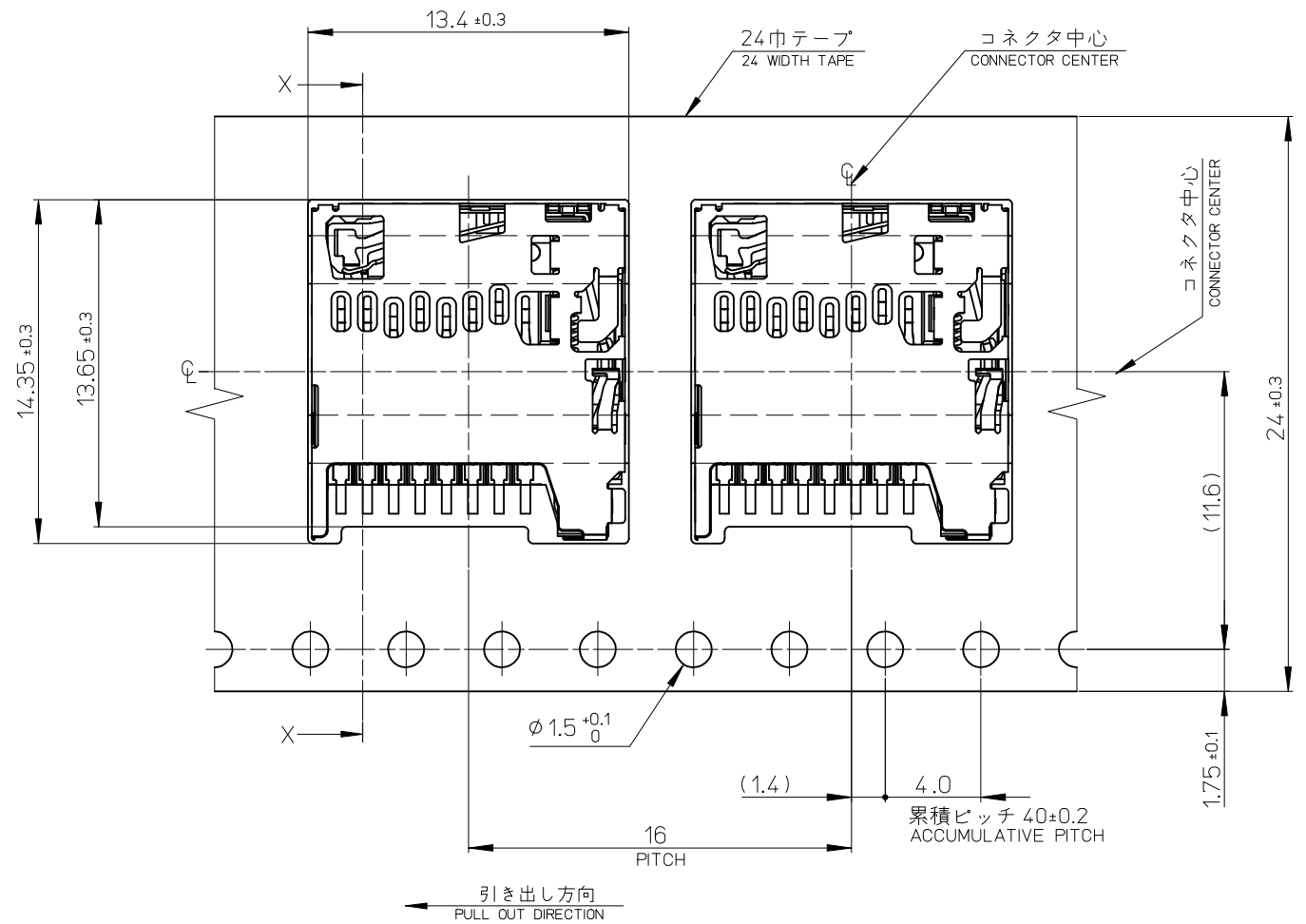
C

B

A



SECTION X-X



PROPOSED EC NO: J2010-015339 DRWN: YMATSUMOTO 2009/09/17 CHKD: YMATSUMOTO 2009/09/17 APPR: NUKITA 2009/09/17	GENERAL TOLERANCES (UNLESS SPECIFIED)		DIMENSION STYLE MM ONLY		SCALE 5:1	DESIGN UNITS METRIC	THIRD ANGLE PROJECTION	
	10 UNDER	± 0.2	DRAWN BY YMATSUMOTO	DATE 2009/02/02	TITLE EMBOSSED TAPE PACKAGE FOR 503398-08**			
	10 OVER 30 UNDER	± 0.25	CHECKED BY MTOMITA	DATE 2009/02/02				
	30 OVER	± 0.3	APPROVED BY NUKITA	DATE 2009/02/02	MOLEX INCORPORATED			
	ANGULAR ± 1 °		MATERIAL NO.	DOCUMENT NO.				
DRAFT WHERE APPLICABLE MUST REMAIN WITHIN DIMENSIONS		SIZE A3	SEE CHART		SD-503398-002		2 OF 2	