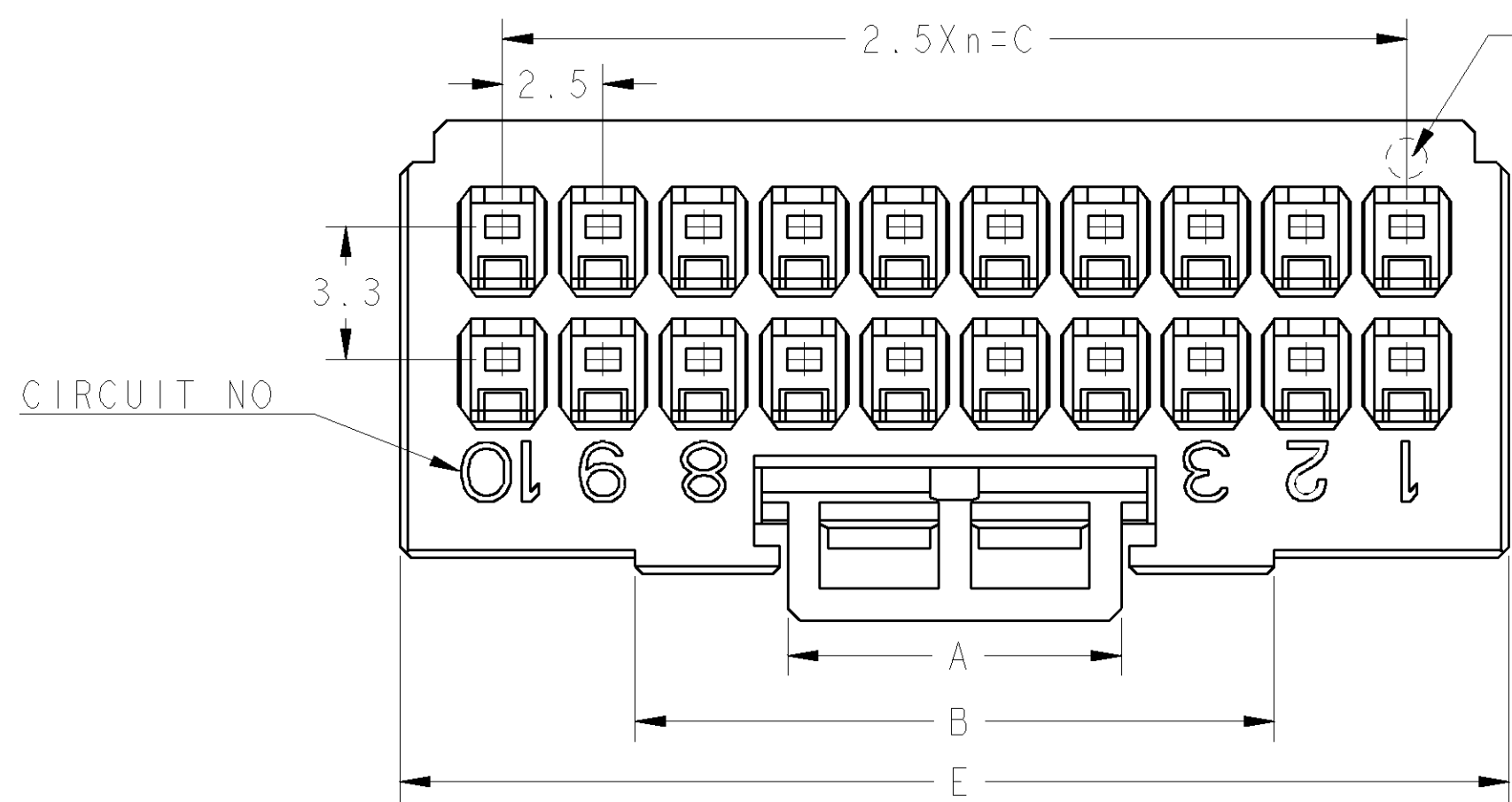


THIS DRAWING IS UNPUBLISHED. RELEASED FOR PUBLICATION 2006
 © COPYRIGHT 2006 BY TYCO ELECTRONICS CORPORATION. ALL INTERNATIONAL RIGHTS RESERVED.

LOC		DIST		REVISIONS			
P	LTR	DESCRIPTION	DATE	DWN	APVD		
	C	REVISED	ECR-10-016030	02AUG2010	T.T	T.M	

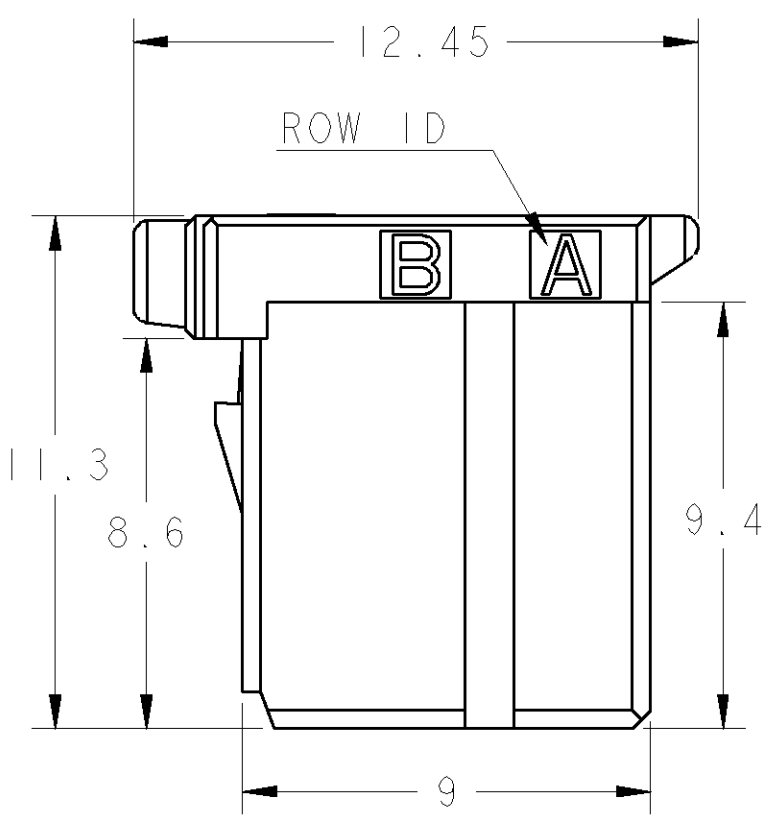
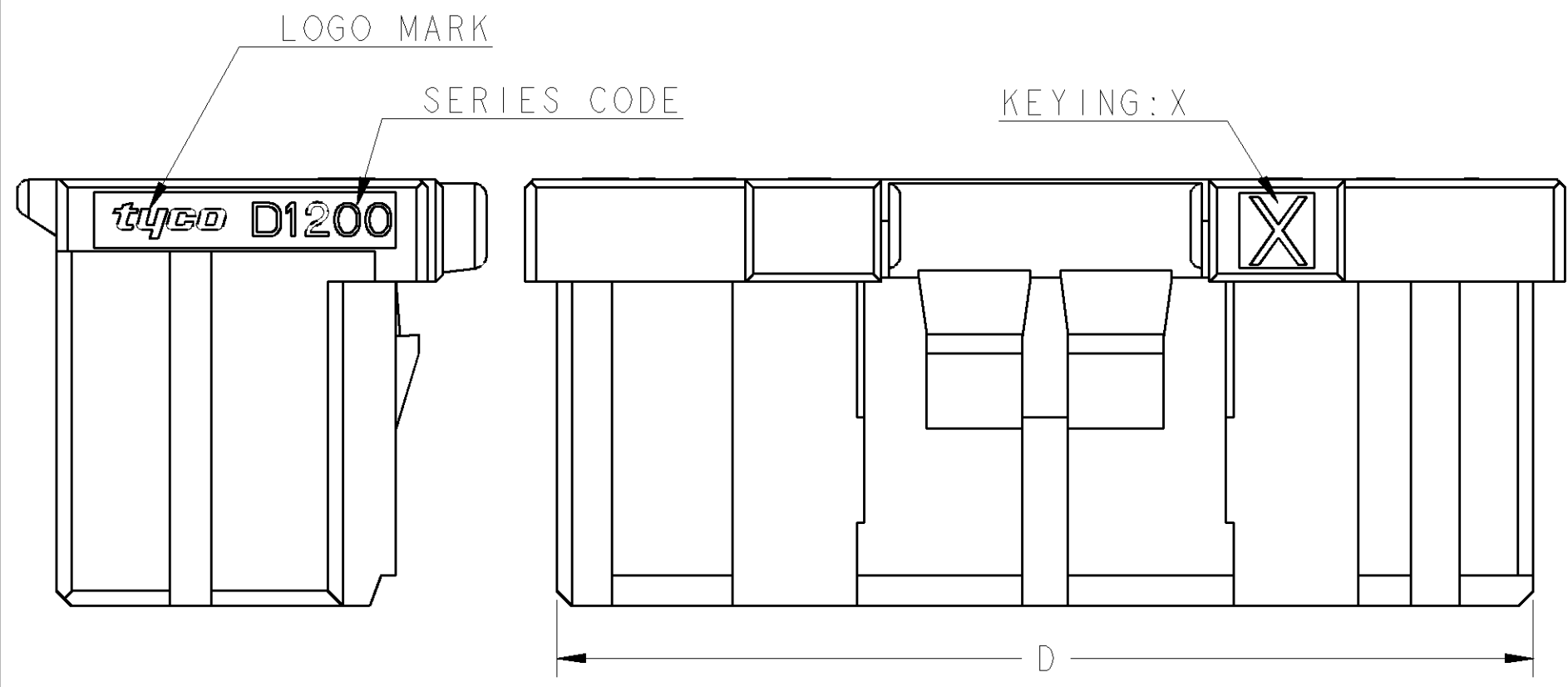
CAVITY MARK
(ALPHABET: CAPITAL LETTER)



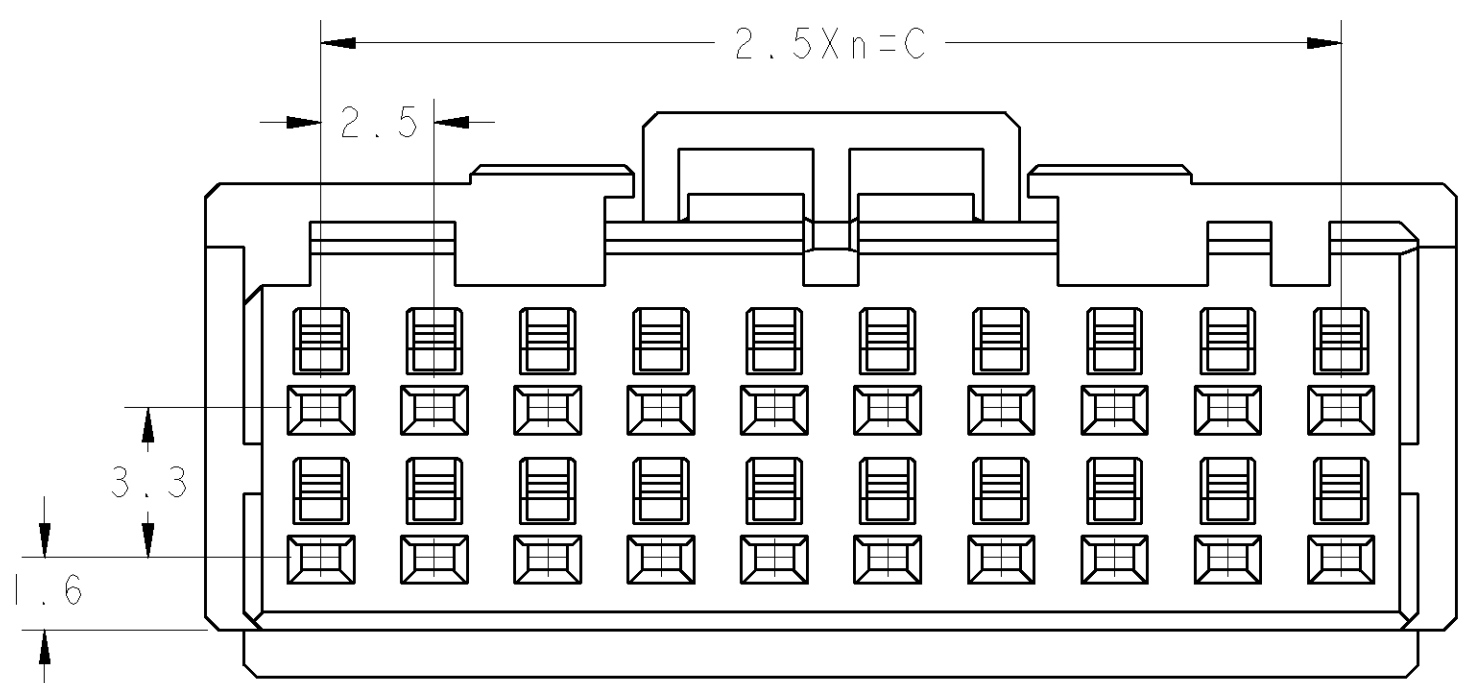
1. MATERIAL: GLASS FILLED THERMO PLASTIC POLYESTER(94V-0)
2. COLOR : EXCLUDING BLACK
3. THE SHAPE, SIZE AND POSITION OF THE CHARACTER SHOW THE OUTLINE. THEY DON'T SHOW DETAILS.
4. THE KEYING ARRANGEMENT OF "Y" IS SYMMETRIC WITH "X".

1. 材料: ガラス入り熱可塑性ポリエステル樹脂(94V-0)
2. 色 : 黒以外
3. 文字の形状、大きさ、および位置については、大略を示すものであり、詳細を示すものではありません。
4. Y KEY形状は、X KEY形状と左右対称

- 4-1939028-□ : YELLOW (Y-KEY)
- 3-1939028-□ : YELLOW (X-KEY)
- 2-1939028-□ : NATURAL (Y-KEY)
- 1-1939028-□ : NATURAL (X-KEY)



POS	n	KEY	A	B	C	D	E	PART NO
20	9	Y	8.3	15.9	22.5	25.9	27.6	4-1939028-0(YELLOW)
20	9	X	8.3	15.9	22.5	25.9	27.6	3-1939028-0(YELLOW)
20	9	Y	8.3	15.9	22.5	25.9	27.6	2-1939028-0(NATURAL)
20	9	X	8.3	15.9	22.5	25.9	27.6	1-1939028-0(NATURAL)
12	5	Y	8.3	15.9	12.5	15.9	17.6	4-1939028-6(YELLOW)
12	5	X	8.3	15.9	12.5	15.9	17.6	3-1939028-6(YELLOW)
12	5	Y	8.3	15.9	12.5	15.9	17.6	2-1939028-6(NATURAL)
12	5	X	8.3	15.9	12.5	15.9	17.6	1-1939028-6(NATURAL)
10	4	Y	3.3	10.9	10.0	13.4	15.1	4-1939028-5(YELLOW)
10	4	X	3.3	10.9	10.0	13.4	15.1	3-1939028-5(YELLOW)
10	4	Y	3.3	10.9	10.0	13.4	15.1	2-1827864-5(NATURAL)
10	4	X	3.3	10.9	10.0	13.4	15.1	1-1939028-5(NATURAL)
8	3	Y	3.3	10.9	7.5	10.9	12.6	4-1939028-4(YELLOW)
8	3	X	3.3	10.9	7.5	10.9	12.6	3-1939028-4(YELLOW)
8	3	Y	3.3	10.9	7.5	10.9	12.6	2-1939028-4(NATURAL)
8	3	X	3.3	10.9	7.5	10.9	12.6	1-1939028-4(NATURAL)
6	2	Y	3.3	8.4	5.0	8.4	10.1	4-1939028-3(YELLOW)
6	2	X	3.3	8.4	5.0	8.4	10.1	3-1939028-3(YELLOW)
6	2	Y	3.3	8.4	5.0	8.4	10.1	2-1939028-3(NATURAL)
6	2	X	3.3	8.4	5.0	8.4	10.1	1-1939028-3(NATURAL)
4	1	Y	3.1	8.4	2.5	5.9	-	4-1939028-2(YELLOW)
4	1	X	3.1	7.6	2.5	5.9	-	3-1939028-2(YELLOW)
4	1	Y	3.1	7.6	2.5	5.9	-	2-1939028-2(NATURAL)
4	1	X	3.1	7.6	2.5	5.9	-	1-1939028-2(NATURAL)



1-1939028-0
20POS:NATURAL, X-KEY

3-1939028-0
20POS:YELLOW, X-KEY

THIS DRAWING IS A CONTROLLED DOCUMENT FOR TYCO ELECTRONICS CORPORATION. IT IS SUBJECT TO CHANGE AND THE CONTROLLING ENGINEERING ORGANIZATION SHOULD BE CONTACTED FOR THE LATEST REVISION.

DWN: M. MAEBASHI 19APR2006
 CHK: T. KUDO 19APR2006
 APVD: D. MITSUGI 19APR2006

Tyco Electronics Corporation
Kawasaki, Japan

NAME: DYNAMIC D1200D 2.5mmPITCH
REC HSG COLOR 4-20POS

PRODUCT SPEC: 108-78268,78298
 APPLICATION SPEC: 114-5377

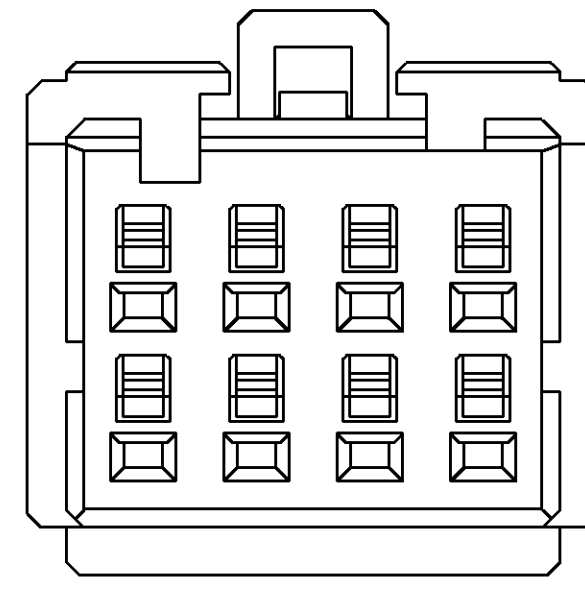
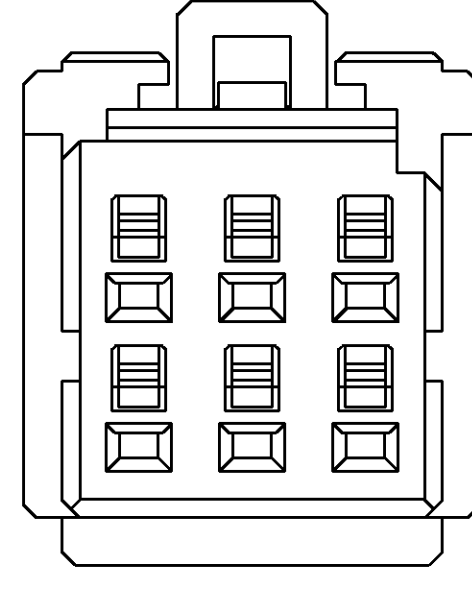
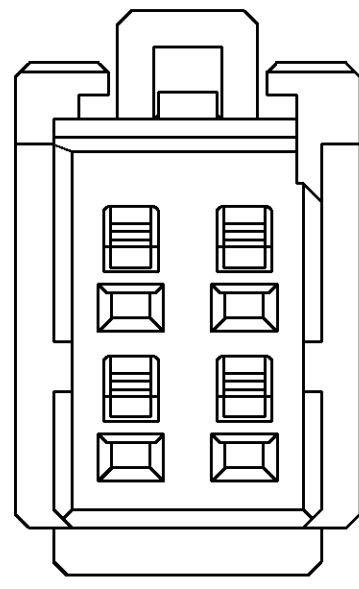
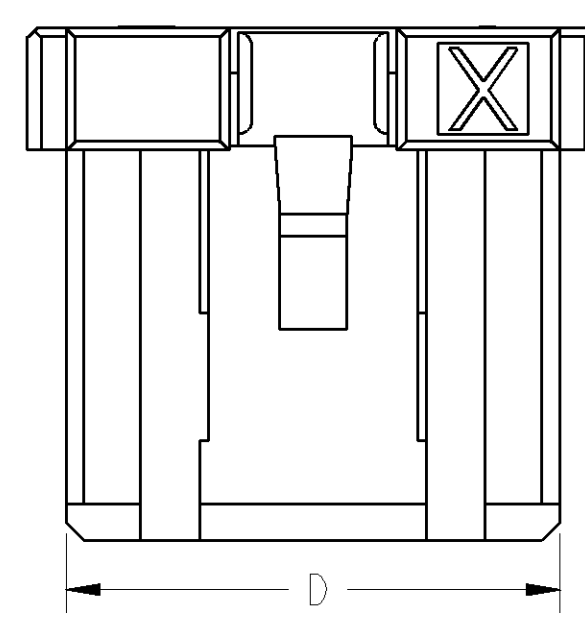
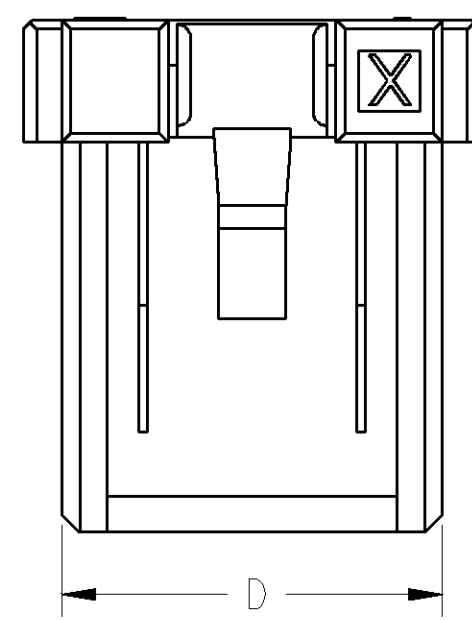
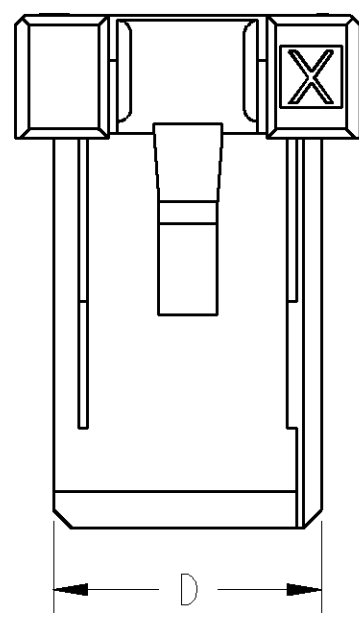
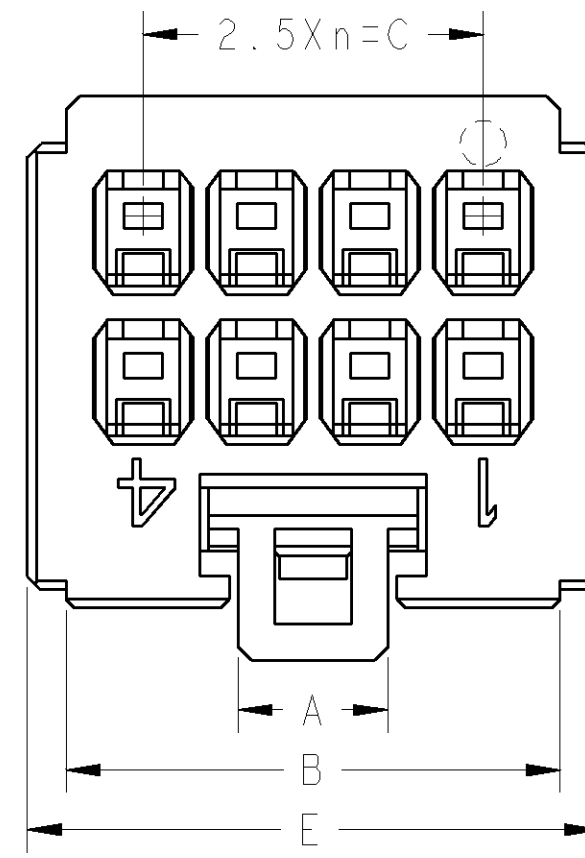
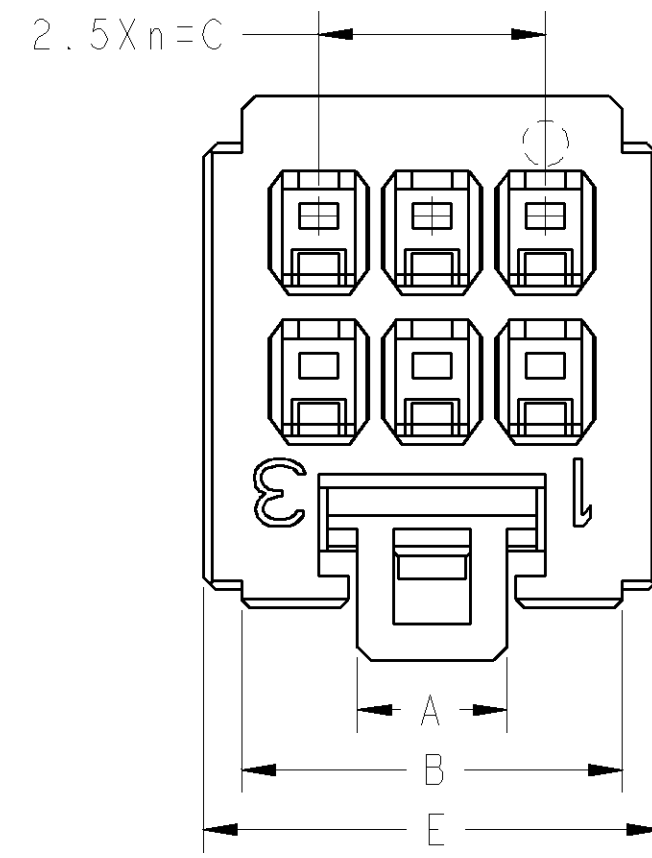
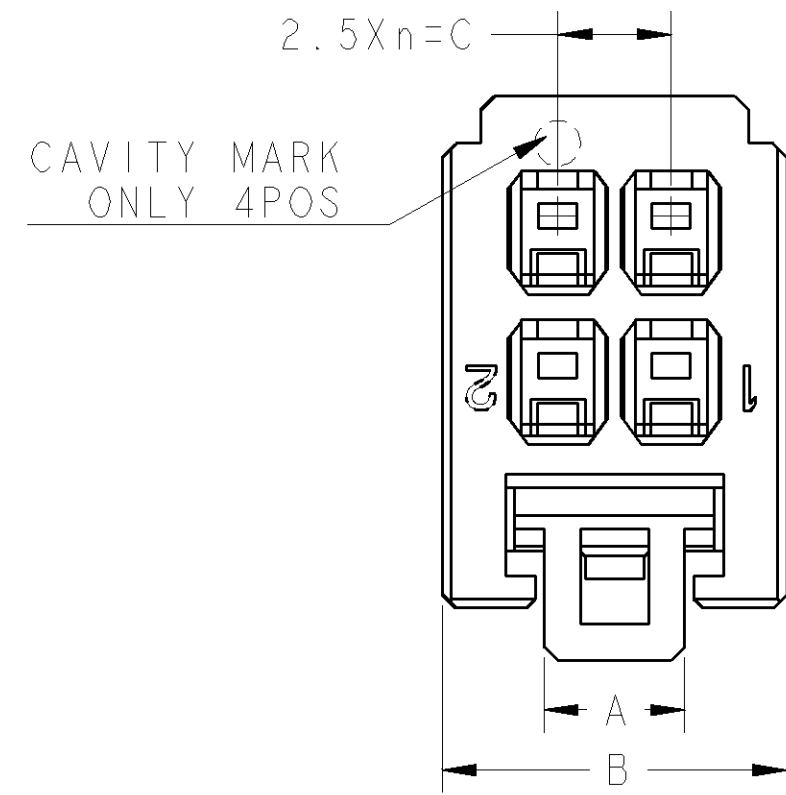
SIZE: A2 CAGE CODE: 00779 DRAWING NO: 1939028
 SCALE: 6:1 SHEET 1 OF 3 REV C

MATERIAL: DIMENSIONS: 単位: 概 (mm) TOLERANCES UNLESS OTHERWISE SPECIFIED: 一般公差 ±0.3, ±3°
 0-PLC ±
 1-PLC ±
 2-PLC ±
 3-PLC ±
 4-PLC ±
 ANGLES ±
 FINISH 仕上

CUSTOMER DRAWING

THIS DRAWING IS UNPUBLISHED. RELEASED FOR PUBLICATION 2006
 © COPYRIGHT 2006 BY TYCO ELECTRONICS CORPORATION. ALL INTERNATIONAL RIGHTS RESERVED.

LOC	DIST	REVISIONS					
J		P	LTR	DESCRIPTION	DATE	DWN	APVD
				SEE SHEET 1			



1-1939028-2
4POS: NATURAL, X-KEY

3-1939028-2
4POS: YELLOW, X-KEY

1-1939028-3
6POS: NATURAL, X-KEY

3-1939028-3
6POS: YELLOW, X-KEY

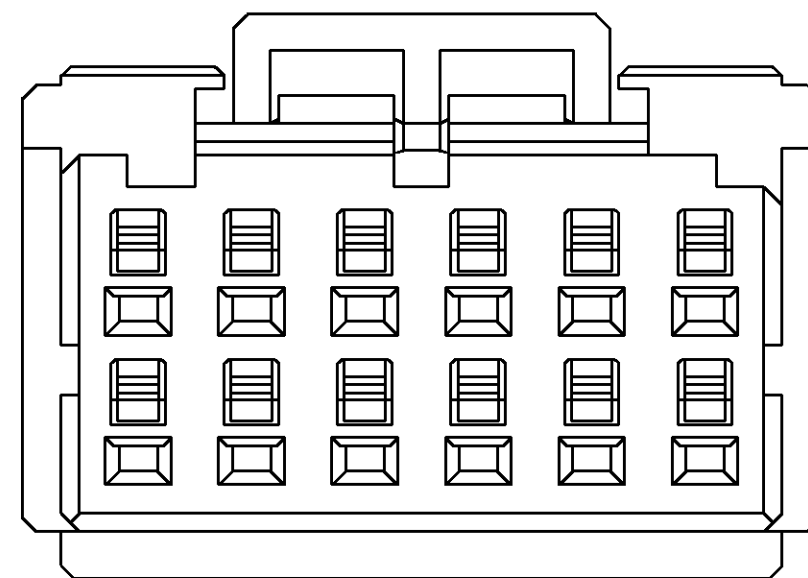
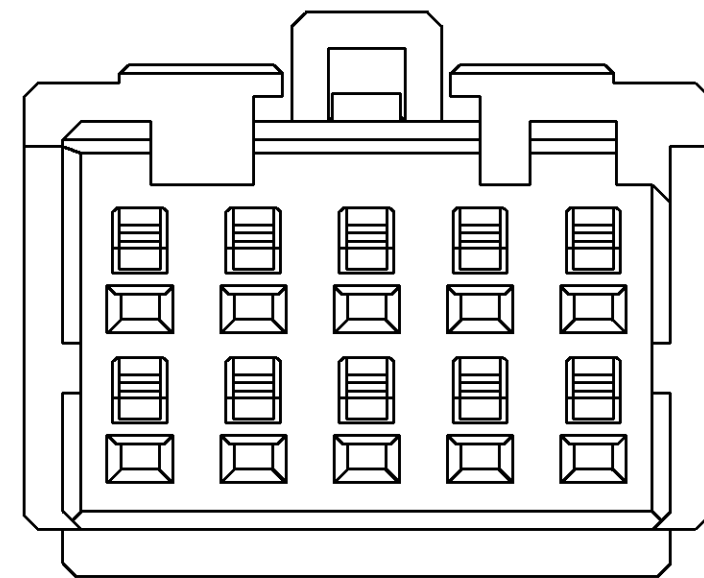
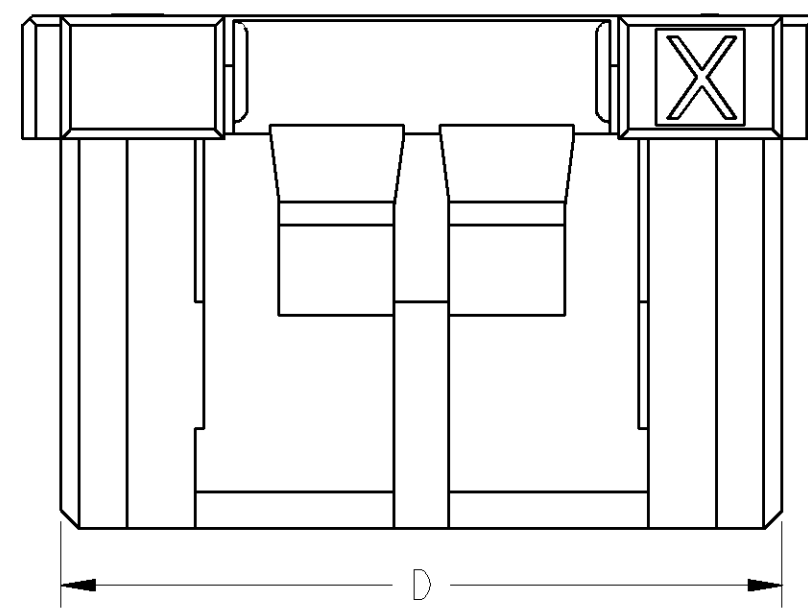
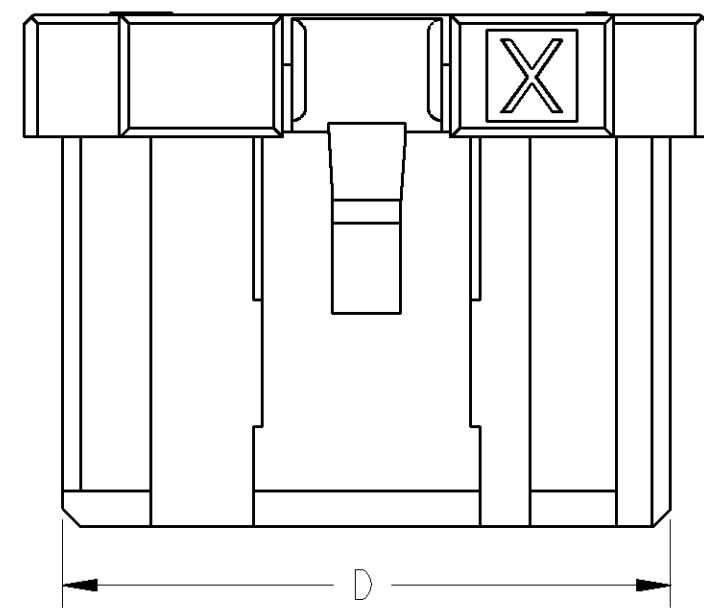
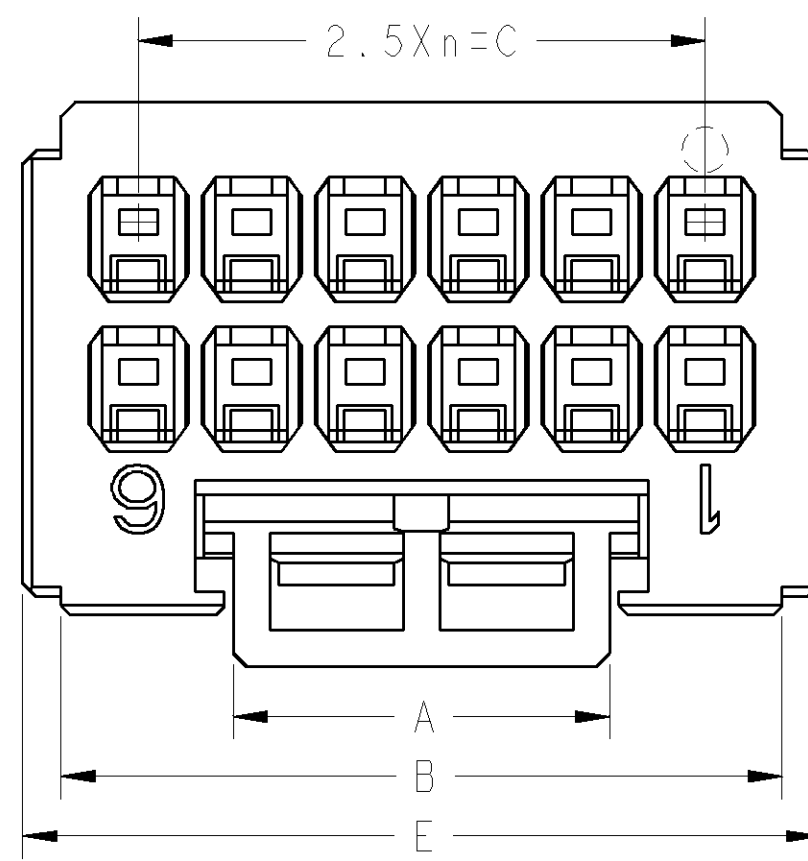
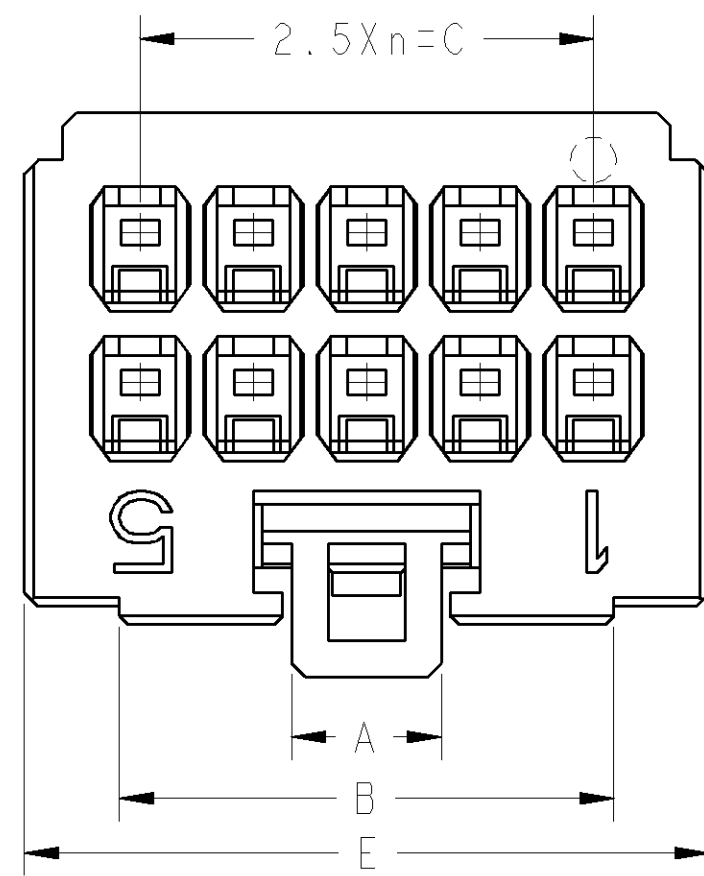
1-1939028-4
8POS: NATURAL, X-KEY

3-1939028-4
8POS: YELLOW, X-KEY

THIS DRAWING IS A CONTROLLED DOCUMENT FOR TYCO ELECTRONICS CORPORATION IT IS SUBJECT TO CHANGE AND THE CONTROLLING ENGINEERING ORGANIZATION SHOULD BE CONTACTED FOR THE LATEST REVISION.		DWN M. MAEBASHI 19APR2006 CHK T. KUDO 19APR2006 APVD D. MITSUGI 19APR2006	Tyco Electronics Corporation Kawasaki, Japan
DIMENSIONS: 単位: 概 mm	TOLERANCES UNLESS OTHERWISE SPECIFIED: 一般公差 0 PLC ± 1 PLC ± 2 PLC ± 3 PLC ± 4 PLC ± ANGLES ± FINISH 仕上	PRODUCT SPEC 製品規格 108-78268, 78298 APPLICATION SPEC 取付適用規格 114-5377	NAME 名称 DYNAMIC DI200D 2.5mmPITCH REC HSG COLOR 4-20POS
MATERIAL 材料		WEIGHT	SIZE CAGE CODE DRAWING NO A200779 C-1939028
CUSTOMER DRAWING		SCALE 6:1	SHEET 2 OF 3 REV C

THIS DRAWING IS UNPUBLISHED. RELEASED FOR PUBLICATION 2006
 © COPYRIGHT 2006 BY TYCO ELECTRONICS CORPORATION. ALL INTERNATIONAL RIGHTS RESERVED.

LOC	DIST	REVISIONS					
J		P	LTR	DESCRIPTION	DATE	DWN	APVD
				SEE SHEET 1			



1-1939028-5
10POS:NATURAL, X-KEY

3-1939028-5
10POS:YELLOW, X-KEY

1-1939028-6
12POS:NATURAL, X-KEY

3-1939028-6
12POS:YELLOW, X-KEY

<small>THIS DRAWING IS A CONTROLLED DOCUMENT FOR TYCO ELECTRONICS CORPORATION. IT IS SUBJECT TO CHANGE AND THE CONTROLLING ENGINEERING ORGANIZATION SHOULD BE CONTACTED FOR THE LATEST REVISION.</small>		DWN M. MAEBASHI 19APR2006 CHK T. KUDO 19APR2006 APVD D. MITSUGI 19APR2006	Tyco Electronics Corporation Kawasaki, Japan
DIMENSIONS: 单位: 稀 mm	TOLERANCES UNLESS OTHERWISE SPECIFIED: 一般公差 0 PLC ± 1 PLC ± 2 PLC ± 3 PLC ± 4 PLC ± ANGLES ± FINISH 仕上	PRODUCT SPEC 製品規格 108-78268, 78298 APPLICATION SPEC 取付適用規格 114-5377	NAME 名称 DYNAMIC D1200D 2.5mmPITCH REC HSG COLOR 4-20POS
MATERIAL 材料	CUSTOMER DRAWING	SIZE 寸法 A200779	DRAWING NO. 番号 C-1939028
		SCALE 縮尺 1:1	SHEET 3 OF 3 REV C