

IMPORTANT:
Read Before Using

IMPORTANT :
Lire avant usage

IMPORTANTE:
Leer antes de usar



Operating/Safety Instructions
Consignes de fonctionnement/sécurité
Instrucciones de funcionamiento y seguridad

2050



DREMEL®

P.O. Box 081126 Racine, WI 53408-1126

**Call Toll Free for
Consumer Information
& Service Locations**

**Pour obtenir des informations
et les adresses de nos centres
de service après-vente,
appelez ce numéro gratuit**

**Llame gratis para
obtener información
para el consumidor y
ubicaciones de servicio**

1-800-4-DREMEL (1-800-437-3635) www.dremel.com





**For English Version
See page 2**

**Version française
Voir page 22**

**Versión en español
Ver la página 43**

Safety Symbols

The definitions below describe the level of severity for each signal word. Please read the manual and pay attention to these symbols.

	<p>This is the safety alert symbol. It is used to alert you to potential personal injury hazards. Obey all safety messages that follow this symbol to avoid possible injury or death.</p>
	<p>DANGER indicates a hazardous situation which, if not avoided, will result in death or serious injury.</p>
	<p>WARNING indicates a hazardous situation which, if not avoided, could result in death or serious injury.</p>
	<p>CAUTION, used with the safety alert symbol, indicates a hazardous situation which, if not avoided, will result in minor or moderate injury.</p>

General Power Tool Safety Warnings

WARNING Read all safety warnings and all instructions. Failure to follow the warnings and instructions may result in electric shock, fire and/or serious injury.

SAVE ALL WARNINGS AND INSTRUCTIONS FOR FUTURE REFERENCE

The term “power tool” in the warnings refers to your mains-operated (corded) power tool or battery-operated (cordless) power tool.

Work area safety

Keep work area clean and well lit. Cluttered or dark areas invite accidents.

Do not operate power tools in explosive atmospheres, such as in the presence of flammable liquids, gases or dust. Power tools create sparks which may ignite the dust or fumes.

Keep children and bystanders away while operating a power tool. Distractions can cause you to lose control.

Electrical safety

Power tool plugs must match the outlet. Never modify the plug in any way. Do not use any adapter plugs with earthed (grounded) power tools. Unmodified plugs and matching outlets will reduce risk of electric shock.

Avoid body contact with earthed or grounded surfaces such as pipes, radiators, ranges and refrigerators. There is an increased risk of electric shock if your body is earthed or grounded.

Do not expose power tools to rain or wet conditions. Water entering a power tool will increase the risk of electric shock.

Do not abuse the cord. Never use the cord for carrying, pulling or unplugging the power tool. Keep cord away from heat, oil, sharp edges or moving parts. Damaged or entangled cords increase the risk of electric shock.

When operating a power tool outdoors, use an extension cord suitable for outdoor use. Use of a cord suitable for outdoor use reduces the risk of electric shock.

If operating a power tool in a damp location is unavoidable, use a Ground Fault Circuit Interrupter (GFCI) protected supply. Use of an GFCI reduces the risk of electric shock.

Personal safety

Stay alert, watch what you are doing and use common sense when operating a power tool. Do not use a power tool while you are tired or under the influence of drugs, alcohol or medication. A moment of inattention while operating power tools may result in serious personal injury.

Use personal protective equipment. Always wear eye protection. Protective equipment such as dust mask, non-skid safety shoes, hard hat, or hearing protection used for appropriate conditions will reduce personal injuries.

Prevent unintentional starting. Ensure the switch is in the off-position before connecting to power source and / or battery pack, picking up or carrying the tool. Carrying power tools with your finger on the switch or energizing power tools that have the switch on invites accidents.

Remove any adjusting key or wrench before turning the power tool on. A wrench or a key left attached to a rotating part of the power tool may result in personal injury.

Do not overreach. Keep proper footing and balance at all times. This enables better control of the power tool in unexpected situations.

Dress properly. Do not wear loose clothing or jewelry. Keep your hair, clothing and gloves away from moving parts. Loose clothes, jewelry or long hair can be caught in moving parts.

If devices are provided for the connection of dust extraction and collection facilities, ensure these are connected and properly used. Use of dust collection can reduce dust-related hazards.

Power tool use and care

Do not force the power tool. Use the correct power tool for your application. The correct power tool will do the job better and safer at the rate for which it was designed.

Do not use the power tool if the switch does not turn it on and off. Any power tool that cannot be controlled with the switch is dangerous and must be repaired.

Disconnect the plug from the power source and/or the battery pack from the power tool before making any adjustments, changing accessories, or storing power tools. Such preventive safety measures reduce the risk of starting the power tool accidentally.

Store idle power tools out of the reach of children and do not allow persons unfamiliar with the power tool or these instructions to operate the power tool. Power tools are dangerous in the hands of untrained users.

Maintain power tools. Check for misalignment or binding of moving parts, breakage of parts and any other condition that may affect the power tool's operation. If damaged, have the power tool repaired before use. Many accidents are caused by poorly maintained power tools.

Keep cutting tools sharp and clean. Properly maintained cutting tools with sharp cutting edges are less likely to bind and are easier to control.

Use the power tool, accessories and tool bits etc. in accordance with these instructions, taking into account the working conditions and the work to be performed. Use of the power tool for operations different from those intended could result in a hazardous situation.

Service

Have your power tool serviced by a qualified repair person using only identical replacement parts. This will ensure that the safety of the power tool is maintained.

Safety Rules for Rotary Tools

Safety warnings common for grinding, sanding, wire brushing, polishing, carving or abrasive cutting-off operations:

This power tool is intended to function as a grinder, sander, wire brush, polisher, carving or cut-off tool. Read all safety warnings, instructions, illustrations and specifications provided with this power tool. Failure to follow all instructions listed below may result in electric shock, fire and/or serious injury.

Do not use accessories which are not specifically designed and recommended by the tool manufacturer. Just because the accessory can be attached to your power tool, it does not assure safe operation.

The RATED SPEED of the accessories must be at least equal to the operating speed setting marked on the power tool. Accessories running faster than their RATED SPEED can break and fly apart.

The outside diameter and the thickness of your accessory must be within the capacity rating of your power tool. Incorrectly sized accessories cannot be adequately controlled.

The arbor size of wheels, sanding drums or any other accessory must properly fit the spindle or collet of the power tool. Accessories that do not match the mounting hardware of the power tool will run out of balance, vibrate excessively and may cause loss of control.

Safety Rules for Rotary Tools - (cont.)

Mandrel mounted wheels, sanding drums, cutters or other accessories must be fully inserted into the collet or chuck. If the mandrel is insufficiently held and/or the overhang of the wheel is too long, the mounted wheel may become loose and be ejected at high velocity.

Do not use a damaged accessory. Before each use inspect the accessory such as abrasive wheels for chips and cracks, sanding drum for cracks, tear or excess wear, wire brush for loose or cracked wires. If power tool or accessory is dropped, inspect for damage or install an undamaged accessory. After inspecting and installing an accessory, position yourself and bystanders away from the plane of the rotating accessory and run the power tool at maximum no-load speed for one minute. Damaged accessories will normally break apart during this test time.

Wear personal protective equipment. Depending on application, use face shield, safety goggles or safety glasses. As appropriate, wear dust mask, hearing protectors, gloves and workshop apron capable of stopping small abrasive or workpiece fragments. The eye protection must be capable of stopping flying debris generated by various operations. The dust mask or respirator must be capable of filtering particles generated by your operation. Prolonged exposure to high intensity noise may cause hearing loss.

Keep bystanders a safe distance away from work area. Anyone entering the work area must wear personal protective equipment. Fragments of workpiece or of a broken accessory may fly away and cause injury beyond immediate area of operation.

Hold the power tool by insulated gripping surfaces only, when performing an operation where the cutting accessory may contact hidden wiring or its own cord. Cutting accessory contacting a "live" wire may make exposed metal parts of the power tool "live" and could give the operator an electric shock.

Always hold the tool firmly in your hand(s) during the start-up. The reaction torque of the motor, as it accelerates to full speed, can cause the tool to twist.

Use clamps to support workpiece whenever practical. Never hold a small workpiece in

one hand and the tool in the other hand while in use. Clamping a small workpiece allows you to use your hand(s) to control the tool. Round material such as dowel rods, pipes or tubing have a tendency to roll while being cut, and may cause the bit to bind or jump toward you.

Position the cord clear of the spinning accessory. If you lose control, the cord may be cut or snagged and your hand or arm may be pulled into the spinning accessory.

Never lay the power tool down until the accessory has come to a complete stop.

The spinning accessory may grab the surface and pull the power tool out of your control.

After changing the bits or making any adjustments, make sure the collet nut, chuck or any other adjustment devices are securely tightened. Loose adjustment devices can unexpectedly shift, causing loss of control, loose rotating components will be violently thrown.

Do not run the power tool while carrying it at your side. Accidental contact with the spinning accessory could snag your clothing, pulling the accessory into your body.

Regularly clean the power tool's air vents. The motor's fan will draw the dust inside the housing and excessive accumulation of powdered metal may cause electrical hazards.

Do not operate the power tool near flammable materials. Sparks could ignite these materials.

Do not use accessories that require liquid coolants. Using water or other liquid coolants may result in electrocution or shock.

Use only in well-ventilated area. Working in a safe environment reduces risk of injury.

Allow for sufficient space, at least 6", between your hand and the spinning bit. Do not reach in the area of the spinning bit. The proximity of the spinning bit to your hand may not always be obvious.

Do not touch the bit or collet after use. After use the bit and collet are too hot to be touched by bare hands.

Do not alter or misuse tool. Any alteration or modification is a misuse and may result in serious personal injury.

This product is not intended for use as a dental drill, in human or veterinary medical applications. Serious injury may result.

Safety Rules for Rotary Tools - (cont.)

Kickback and Related Warnings

Kickback is a sudden reaction to a pinched or snagged rotating wheel, backing pad, brush or any other accessory. Pinching or snagging causes rapid stalling of the rotating accessory which in turn causes the uncontrolled power tool to be forced in the direction opposite of the accessory's rotation.

For example, if an abrasive wheel is snagged or pinched by the workpiece, the edge of the wheel that is entering into the pinch point can dig into the surface of the material causing the wheel to climb out or kickout. The wheel may either jump toward or away from the operator, depending on direction of the wheel's movement at the point of pinching. Abrasive wheels may also break under these conditions.

Kickback is the result of power tool misuse and/or incorrect operating procedures or conditions and can be avoided by taking proper precautions as given below.

Maintain a firm grip on the power tool and position your body and arm to allow you to resist kickback forces. The operator can control kickback forces, if proper precautions are taken.

Use special care when working corners, sharp edges etc. Avoid bouncing and snagging the accessory. Corners, sharp edges or bouncing have a tendency to snag the rotating accessory and cause loss of control or kickback.

Do not attach a toothed saw blade. Such blades create frequent kickback and loss of control.

Always feed the bit into the material in the same direction as the cutting edge is exiting from the material (which is the same direction as the chips are thrown). Feeding the tool in the wrong direction causes the cutting edge of the bit to climb out of the work and pull the tool in the direction of this feed.

When using rotary files, cut-off wheels, high-speed cutters or tungsten carbide cutters, always have the work securely clamped. These wheels will grab if they become slightly canted in the groove, and can kickback. When a cut-off wheel grabs, the wheel itself usually breaks. When a rotary file, high-speed cutter or tungsten carbide cutter grabs, it may jump from the groove and you could lose control of the tool.

Safety warnings specific for grinding and abrasive cutting-off operations:

Use only wheel types that are recommended for your power tool and only for recommended applications. For example: do not grind with the side of a cut-off wheel. Abrasive cut-off wheels are intended for peripheral grinding, side forces applied to these wheels may cause them to shatter.

For threaded abrasive cones and plugs use only undamaged wheel mandrels with an unrelieved shoulder flange that are of correct size and length. Proper mandrels will reduce the possibility of breakage.

Do not jam a cut-off wheel or apply excessive pressure. Do not attempt to make an excessive depth of cut. Overstressing the wheel increases the loading and susceptibility to twisting or snagging of the wheel in the cut and the possibility of kickback or wheel breakage.

Do not position your hand in line with and behind the rotating wheel. When the wheel, at the point of operation, is moving away from your hand, the possible kickback may propel the spinning wheel and the power tool directly at you.

When wheel is pinched, snagged or when interrupting a cut for any reason, switch off the power tool and hold the power tool motionless until the wheel comes to a complete stop. Never attempt to remove the cut-off wheel from the cut while the wheel is in motion otherwise kickback may occur. Investigate and take corrective action to eliminate the cause of wheel pinching or snagging.

Do not restart the cutting operation in the workpiece. Let the wheel reach full speed and carefully re-enter the cut. The wheel may bind, walk up or kickback if the power tool is restarted in the workpiece.

Support panels or any oversized workpiece to minimize the risk of wheel pinching and kickback. Large workpieces tend to sag under their own weight. Supports must be placed under the workpiece near the line of cut and near the edge of the workpiece on both sides of the wheel.

Use extra caution when making a pocket cut into existing walls or other blind areas.

Safety Rules for Rotary Tools - (cont.)

The protruding wheel may cut gas or water pipes, electrical wiring or objects that can cause kickback.

Safety warnings specific for wire brushing operations:

Be aware that wire bristles are thrown by the brush even during ordinary operation. Do not overstress the wires by applying excessive load to the brush. The wire bristles can easily penetrate light clothing and/or skin.

Allow brushes to run at operating speed for at least one minute before using them. During this time no one is to stand in front or in line with the brush. Loose bristles or wires will be discharged during the run-in time.

Direct the discharge of the spinning wire brush away from you. Small particles and tiny wire fragments may be discharged at high velocity during the use of these brushes and may become imbedded in your skin.

Additional Safety Warnings

⚠ WARNING Do not use router bit with the Dremel chuck.

Bit may become a projectile and cause serious injury.

GFCI and personal protection devices like electrician's rubber gloves and footwear will further enhance your personal safety.

Use only power supply number 2610Z09738 provided with the tool.

Keep handles dry, clean and free from oil and grease. Slippery hands cannot safely control the power tool.

Use clamps or other practical way to secure and support the workpiece to a stable platform. Holding the work by hand or against your body is unstable and may lead to loss of control.

Develop a periodic maintenance schedule for your tool. When cleaning a tool be careful not to disassemble any portion of the tool since internal wires may be misplaced or pinched or safety guard return springs may be improperly mounted.

Certain cleaning agents such as gasoline, carbon tetrachloride, ammonia, etc. may damage plastic parts.

Risk of injury to user. The power cord must only be serviced by a Dremel Service Facility..





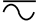


⚠ WARNING Some dust created by power sanding, sawing, grinding, drilling, and other construction activities contains chemicals known to cause cancer, birth defects or other reproductive harm. Some examples of these chemicals are:

- Lead from lead-based paints,
- Crystalline silica from bricks and cement and other masonry products, and
- Arsenic and chromium from chemically-treated lumber.

Your risk from these exposures varies, depending on how often you do this type of work. To reduce your exposure to these chemicals: work in a well ventilated area, and work with approved safety equipment, such as those dust masks that are specially designed to filter out microscopic particles.

Symbols

IMPORTANT: Some of the following symbols may be used on your tool. Please study them and learn their meaning. Proper interpretation of these symbols will allow you to operate the tool better and safer.

Symbol	Designation / Explanation
V	Volts (voltage)
A	Amperes (current)
Hz	Hertz (frequency, cycles per second)
W	Watt (power)
kg	Kilograms (weight)
min	Minutes (time)
s	Seconds (time)
∅	Diameter (size of drill bits, grinding wheels, etc.)
n_0	No load speed (rotational speed at no load)
n	Rated speed (maximum attainable speed)
.../min	Revolutions or reciprocation per minute (revolutions, strokes, surface speed, orbits etc. per minute)
0	Off position (zero speed, zero torque...)
1, 2, 3, ... I, II, III,	Selector settings (speed, torque or position settings. Higher number means greater speed)
0 	Infinitely variable selector with off (speed is increasing from 0 setting)
	Arrow (action in the direction of arrow)
	Alternating current (type or a characteristic of current)
	Direct current (type or a characteristic of current)
	Alternating or direct current (type or a characteristic of current)
	Class II construction (designates double insulated construction tools)
	Earthing terminal (grounding terminal)

Symbols (continued)

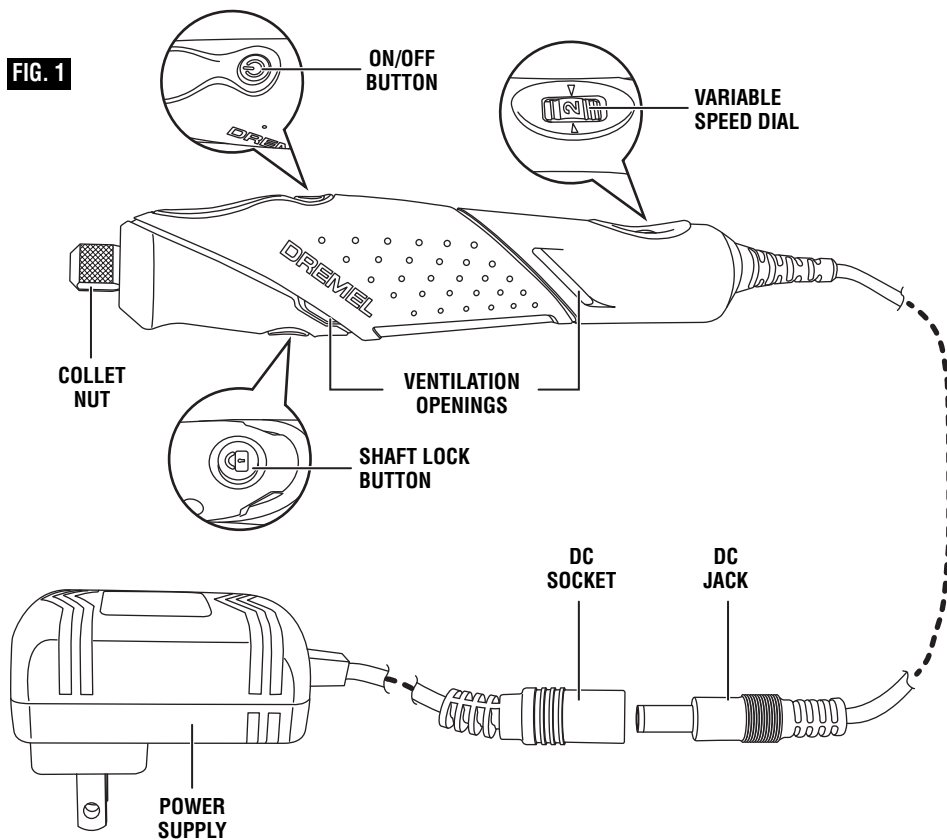
IMPORTANT: Some of the following symbols may be used on your tool. Please study them and learn their meaning. Proper interpretation of these symbols will allow you to operate the tool better and safer.

Symbol	Designation / Explanation
	Designates Li-ion battery recycling program
	Designates Ni-Cad battery recycling program
	Alerts user to read manual
	Alerts user to wear eye protection
	This symbol designates that this tool is listed by Underwriters Laboratories.
	This symbol designates that this component is recognized by Underwriters Laboratories.
	This symbol designates that this tool is listed by Underwriters Laboratories, to United States and Canadian Standards.
	This symbol designates that this tool is listed by the Canadian Standards Association.
	This symbol designates that this tool is listed by the Canadian Standards Association, to United States and Canadian Standards.
	This symbol designates that this tool is listed by the Intertek Testing Services, to United States and Canadian Standards.
	This symbol designates that this tool complies to NOM Mexican Standards.

Functional Description and Specifications

⚠ WARNING Disconnect the plug from the power source before making any assembly, adjustments or changing accessories. Such preventive safety measures reduce the risk of starting the tool accidentally.

Model 2050 High Speed Rotary Tool



Model number	2050
Power Input rating	120V ~ 60Hz
Power Output rating	18V \square 0.5A
Rated speed	n 5,000—22,000 /min
Nut capacity	1/32"—1/8"

Assembly

⚠ WARNING Always unplug Rotary Tool before changing accessories, changing collets or servicing your Rotary Tool.

COLLETS

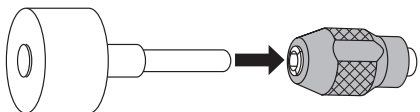
Four different size collets (see illustration), to accommodate different shank sizes, are available for your Rotary Tool. To install a different collet, remove the collet nut and remove the old collet. Insert the unslotted end of the collet in the hole in the end of the tool shaft. Replace collet nut on the shaft.

⚠ CAUTION Always use the collet which matches the shank size of the accessory you plan to use. Never force a larger diameter shank into a collet.

Note: Most rotary tool kits do not include all four collets sizes.

FIXING STUCK COLLETS

It is possible for a collet to get stuck within the collet nut especially if a collet nut is tightened onto the tool without a bit in place. If this happens, the collet can be removed from the collet nut by pushing the shank of an accessory into the hole in the collet nut. This should cause the collet to pop out of the collet nut.

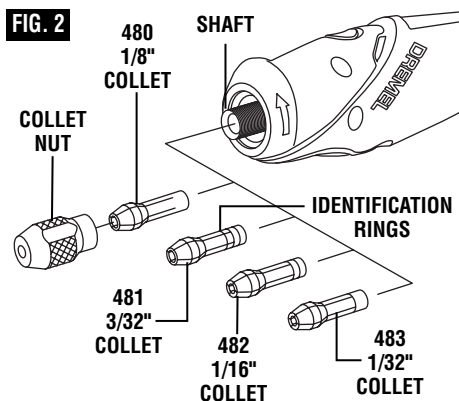


COLLET NUT

To loosen, first press shaft lock button and rotate the shaft by hand until the lock engages the shaft preventing further rotation. Your Dremel 2050 is equipped with a quick shaft lock mechanism.

⚠ CAUTION Do not engage lock while the Rotary Tool is running.

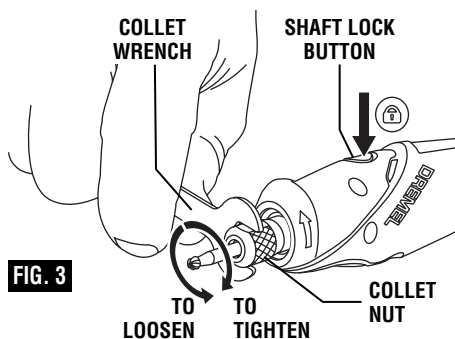
With the shaft lock engaged use the collet wrench to loosen the collet nut if necessary. The collet nut must be loosely threaded on when inserting an accessory. Change accessories by inserting the new one into the collet as far as possible to minimize runout and unbalance. With the shaft lock engaged, use collet wrench to securely tighten the collet nut (Fig. 3). **Avoid excessive tightening of the collet nut when there is no bit inserted.**



COLLET IDENTIFICATION CHART

Collet sizes can be identified by the rings on the back end of collet.

- 1/32" Collet has one (1) ring.
- 1/16" Collet has two (2) rings.
- 3/32" Collet has three (3) rings.
- 1/8" Collet has no rings. **(Included in most tool kits on the tool)**



Assembly

BALANCING ACCESSORIES

For precision work, it is important that all accessories be in good balance (much the same as the tires on your automobile). To true up or balance an accessory, slightly loosen collet nut and give the accessory or collet a 1/4 turn. Retighten the collet nut and run the Rotary Tool. You should be able to tell by the sound and feel if your accessory is running in balance.

Continue adjusting in this fashion until best balance is achieved. To maintain balance on abrasive wheel points, before each use, with the wheel point secured in the collet, turn on the Rotary Tool and run the 415 Dressing Stone lightly against the revolving wheel point. This removes high spots and trues up the wheel point for good balance.

Operating Instructions

IMPORTANT SAFETY INSTRUCTIONS - SAVE THESE INSTRUCTIONS DANGER - TO REDUCE THE RISK OF FIRE OR ELECTRIC SHOCK, CAREFULLY FOLLOW THESE INSTRUCTIONS

For connection to a supply not in the U.S.A., use an attachment plug adapter of the proper configuration for the power outlet, if needed.

⚠ WARNING Observe all warnings and safety instructions when using the rotary tool. Failure to follow recommended procedures could result in personal injury or property damage.

Dremel 2050

Thank you for purchasing the Dremel 2050. This product was designed by the many Dremel users who passionately use their rotary tools daily. This tool was designed to give you the ultimate performance when working on versatile detailed projects.

The Dremel 2050 is a versatile craft rotary tool, which provides the best results for versatile detailed projects. The slim size of the tool allows for maximum control and allows you closer to your work piece. The lightweight design and soft grip on the tool mean the tool can be held comfortably for extended periods of use. You will appreciate the many applications that the Dremel 2050 can easily tackle.

Rotary Tool Introduction

The Rotary Tool is comfortable in the hand, and is made to accept a variety of accessories including engraving points and cutters, polishing wheels and brushes and sanding bands. Accessories come in a variety of shapes and permit you to do a number of different jobs. As you become familiar with the range of accessories and their uses, you will learn just how versatile the Rotary Tool is. You'll see dozens of uses you hadn't thought of before.

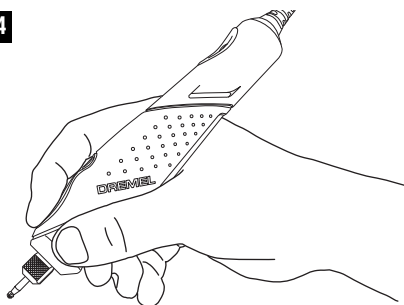
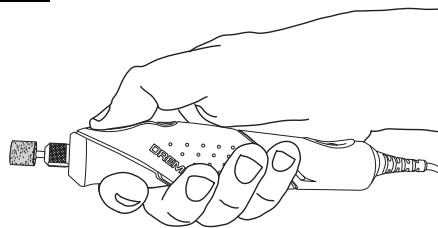
The real secret of the Rotary Tool is its speed. To understand the advantages of its high speed, you have to know that the standard portable electric drill runs at speeds up to 2,800 revolutions per minute. The Rotary Tool operates at speeds up to 22,000 revolutions per minute. The typical electric drill is a low-speed, high torque tool; the Rotary Tool is just the opposite – a high-speed, low torque tool. The major difference to the user is that in the high speed tools, the speed combined with the accessory mounted in the collet does the work. You don't apply pressure to the tool, but simply hold and guide it. In the low speed tools, you not only guide the tool, but also apply pressure to it, as you do, for example, when drilling a hole. It is this high speed, along with its compact size and wide variety of special accessories, that makes the Rotary Tool different from other tools. The speed enables it to do jobs low speed tools cannot do, such as engraving glass and sanding rough wooden edges.

Getting the most out of your Rotary Tool is a matter of learning how to let this speed work for you. To learn about more uses and the versatility of Dremel accessories and attachments refer to this Owner's Manual or check our website at www.Dremel.com or join the conversation at [facebook.com/dremel](https://www.facebook.com/dremel).

Turning tool on and off

Insert DC jack of the rotary tool into DC socket of the power supply (Fig. 1). Insert power supply into power outlet.

Operating Instructions

FIG. 4

FIG. 5


The tool is turned “ON” by the on/off button (Fig. 1 and 9).

TO TURN THE TOOL “ON” press and release the on/off blue button.

TO TURN THE TOOL “OFF” press and release the on/off button.

Adjust the tool speed using the speed dial. See “Operating Speeds” Section.

Stall Protection

This tool has a stall protection feature built into it to protect the motor in the event of a stall. If you stall the tool for too long, or bind the bit in a work piece, especially at high speeds, it will automatically turn itself off.

Simply take the tool out of the material you were stalled in, turn it back on again to continue using it.

Using the Rotary Tool

The first step in learning to use the Rotary Tool is to get the “feel” of it. Hold it in your hand and feel its weight and balance. Feel the taper of the housing. This taper permits the Rotary Tool to be grasped much like a pen or pencil (Fig. 4).



Always hold the tool away from your face. Accessories can be damaged during handling, and can fly apart as they come up to speed. This is not

common, but it does happen.

CAUTION Whenever you hold the tool, be careful not to cover the air vents with your hand. This blocks the air flow and causes the motor to overheat.

Practice on scrap materials first to see how the Rotary Tool's high speed action performs. Keep in mind that the work is done by the speed of the tool and by the accessory in the collet. You should not lean on or push the tool during use.

Instead, lower the spinning accessory lightly to the work and allow it to touch the point at which you want sanding or etching to begin. Concentrate on guiding the tool over the work using very little pressure from your hand. Allow the accessory to do the work.

For best control in close or detailed work, grip the Rotary Tool like a pencil between your thumb and forefinger (Fig. 4).

The “Golf Grip” method of holding the tool is used for more aggressive operations such as sanding or grinding a flat surface (Fig. 5).

Usually, it is best to make a series of passes with the tool rather than attempt to do all the work in one pass. To sand a wooden surface, for example, pass the tool back and forth over the work, much as you would a small paint brush. Sand a little material on each pass until you reach the desired depth. For most work, the gentle touch is best. With it, you have the best control, are less likely to make errors, and will get the most efficient work out of the accessory.

To select the right speed for each job, use a practice piece of material.

VARIABLE SPEED DIAL

Your tool is equipped with a variable speed dial. The speed may be adjusted during operation by presetting the dial on or between any one of the settings.

Operating Speeds

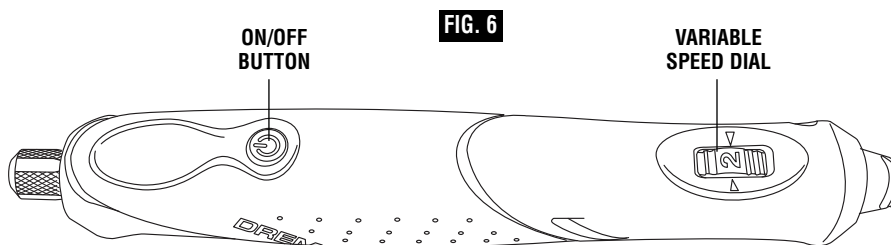


FIG. 6

You can refer to the charts on page 14 to determine the proper speed, based on the material being worked and the type of accessory being used. These charts enable you to select both the correct accessory and the optimum speed at a glance.

The speed of Rotary Tool is controlled by setting this dial on the housing (Fig. 6).

Settings for Approximate Revolutions

Dial Setting	Speed Range
1	5,000-7,000 RPM
2	8,000-10,000 RPM
*3	11,000-14,000 RPM
4	15,000-18,000 RPM
5	19,000-22,000 RPM

* Maximum Setting for Wire Brush.

Needs for Slower Speeds

Certain materials, however, (some plastics and precious metals, for example) require a relatively slow speed because at high speed the friction of the accessory generates heat and may cause damage to the material.

Slow speeds (15,000 RPM or less) usually are best for polishing operations employing the felt polishing accessories. They may also be best for working on delicate projects as "eggery" work, delicate wood carving and fragile model parts. (All brushing applications require lower speeds to avoid wire discharge from the holder.)

Higher speeds are better for carving and shaping wood.

Hardwoods, metals and glass require high speed operation, and drilling should also be done at high speeds.

The point to remember is this: Many applications and accessories in our line will provide the best performance at full speed, but for certain materials, applications, and accessories, you need slower speeds, which is the reason our variable speed models are available.

To aid you in determining the optimum operational speed for different materials and

different accessories, we have constructed a series of tables that appear on page 14. By referring to these tables, you can discover the recommended speeds for each type of accessory. Look these tables over and become familiar with them.

Ultimately, the best way to determine the correct speed for work on any material is to practice for a few minutes on a piece of scrap, even after referring to the chart. You can quickly learn that a slower or faster speed is more effective just by observing what happens as you make a pass or two at different speeds.

Some rules of thumb in regard to speed:

- Polishing, buffing and cleaning with any type of bristle brush must be done at speeds not greater than 15,000 RPM to prevent damage to the brush.
- Increasing the pressure on the tool is not the answer when it is not performing as you think it should. Perhaps you should be using a different accessory, and perhaps an adjustment in speed would solve the problem. Leaning on the tool does not help.

Let speed do the work!

Use only Dremel®, high-performance accessories.
Questions or Problems? Call 1-800-437-3635
 or check our website at www.Dremel.com

Speed Dial Settings

Set speed dial to the setting recommended for the material being worked and the catalog number of accessory being used. For speed range for each setting please refer to “Operating Speeds” on page 13.

High Speed Cutters								
Catalog Number	Soft Wood	Hard Wood	Laminates /Plastics	Steel	Aluminum, Brass, etc.	Shell/ Stone	Ceramic	Glass
191	5	5	2	3-4	5	-	-	-
125	5	3-4	2	3-4	3-4	-	-	-

Engraving Cutters								
Catalog Number	Soft Wood	Hard Wood	Laminates /Plastics	Steel	Aluminum, Brass, etc.	Shell/ Stone	Ceramic	Glass
105	5	5	5	2	3-4	-	-	-

Diamond Wheel Points								
Catalog Number	Soft Wood	Hard Wood	Laminates /Plastics	Steel	Aluminum, Brass, etc.	Shell/ Stone	Ceramic	Glass
7103	5	5	-	-	-	5	5	5

Polishing Accessories								
Catalog Number	Soft Wood	Hard Wood	Laminates /Plastics	Steel	Aluminum, Brass, etc.	Shell/ Stone	Ceramic	Glass
414, 429	-	-	-	3-4	3-4	3-4	3-4	3-4

Wire Brushes								
Catalog Number	Soft Wood	Hard Wood	Laminates /Plastics	Steel	Aluminum, Brass, etc.	Shell/ Stone	Ceramic	Glass
428	2-3	2-3	1	2-3	2-3	-	-	-

Sanding Bands and Discs								
Catalog Number	Soft Wood	Hard Wood	Laminates /Plastics	Steel	Aluminum, Brass, etc.	Shell/ Stone	Ceramic	Glass
430, 431, 438	1-5	1-5	1-4	5	5	1-5	1-5	-

Maintenance

Service

⚠ WARNING **NO USER SERVICE-ABLE PARTS INSIDE.** Preventive maintenance performed by unauthorized personnel may result in misplacing of internal wires and components which could cause serious hazard. We recommend that all tool service be performed by a Dremel Service Center. **SERVICEMEN:** Disconnect tool and/or charger from power source before servicing.

D.C. MOTORS

The motor in your tool has been engineered for many hours of dependable service. To maintain peak efficiency of the motor, we recommend it be examined every six months. Only a genuine Dremel replacement motor specially designed for your tool should be used.

Cleaning

⚠ WARNING To avoid accidents, always be sure the tool is turned "OFF" before cleaning. The tool may be cleaned most effectively with compressed dry air. **Always wear safety goggles when cleaning tools with compressed air.**

Ventilation openings and switch levers must be kept clean and free of foreign matter. Do not attempt to clean by inserting pointed objects through opening.

⚠ CAUTION **Certain cleaning agents and solvents damage plastic parts.** Some of these are: gasoline, carbon tetrachloride, chlorinated cleaning solvents, ammonia and household detergents that contain ammonia.

Extension Cords

⚠ WARNING If an extension cord is necessary, a cord with adequate size conductors that is capable of carrying the current necessary for your tool must be used. This will prevent excessive voltage drop, loss of power or overheating. Grounded tools must use 3-wire extension cords that have 3-prong plugs and receptacles.

NOTE: The smaller the gauge number, the higher the cord capacity.

RECOMMENDED SIZES OF EXTENSION CORDS 120 VOLT ALTERNATING CURRENT TOOLS

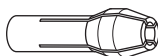
Tool's Ampere Rating	Cord Size in A.W.G.				Wire Sizes in mm ²			
	Cord Length in Feet				Cord Length in Meters			
	25	50	100	150	15	30	60	120
3-6	18	16	16	14	0.75	0.75	1.5	2.5
6-8	18	16	14	12	0.75	1.0	2.5	4.0
8-10	18	16	14	12	0.75	1.0	2.5	4.0
10-12	16	16	14	12	1.0	2.5	4.0	—
12-16	14	12	—	—	—	—	—	—

Dremel Accessories

⚠ WARNING Use only Dremel[®], high-performance accessories. Other accessories are not designed for this tool and may lead to personal injury or property damage.

Store accessories in a dry and temperate environment to avoid corrosion and deterioration.

The number and variety of accessories for the Rotary Tool are almost limitless. There is a category suited to almost any job you might have to do and a variety of sizes and shapes within each category which enables you to get the perfect accessory for every need.



COLLETS

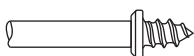
If you expect to use a variety of accessories, we recommend that in the beginning you

purchase a complete set of four collets. Store these so that you will have the proper size of collet for any accessory or drill bit you want to use. **Currently, the 1/8", 3/32", 1/32" and 1/16" collets accommodate all of the available Dremel accessories. 1/8" collets are included in most rotary tool kits.**

Dremel Accessories (Continued)

MANDRELS

A mandrel is a shank with a threaded or screw head, which are required when you use polishing accessories, cutting wheels, sanding discs, and polishing points. The reason mandrels are used is that sanding discs, cutting wheels and similar accessories must be replaced frequently. The mandrel is a permanent shank, allowing you to replace only the worn head when necessary, thus saving the expense of replacing the shaft each time.



Screw Mandrel No 401

This is a screw mandrel used with the felt polishing tip and felt polishing wheels. 1/8" shank.



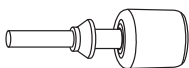
Small Screw Mandrel No 402

This is a mandrel with a small screw at its tip, and is used with emery and fiberglass cutting wheels, sanding discs and polishing wheels. 1/8" shank.



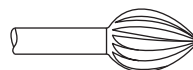
EZ Lock Mandrel No 402

The Dremel EZ Lock makes accessory changes easy as PULL - TWIST - RELEASE. The one-piece mandrel design simplifies the process of changing cutting wheels, buffs and detail abrasive brushes (EZ Lock compatible accessories).



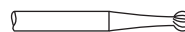
EZ Drum™ Mandrel No EZ407SA

The Dremel EZ Drum makes accessory changes easy as PULL - INSERT - PRESS DOWN. The one-piece mandrel design simplifies the process of changing sanding bands.



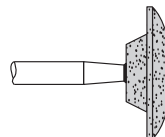
High Speed Cutters

Available in many shapes, high speed cutters are used in carving, cutting and slotting in wood, plastics and soft metals such as aluminum, copper and brass. These are the accessories to use for freehand routing or carving in wood or plastic, and for precision cutting. Made of high quality steel. 1/8" shank.



Engraving Cutters

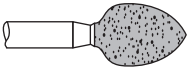
This group has a wide variety of sizes and shapes, and are made for intricate work on ceramics (greenware), wood carvings, jewelry and scrimshaw. They often are used in making complicated printed circuit boards. They should not be used on steel and other very hard materials but are excellent on wood, plastic and soft metals. 1/8" shank.



Aluminum Oxide Grinding Stones (red/brown)

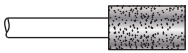
Round, pointed, flat — you name the shape and there is one available in this category. These are made of aluminum oxide and cover virtually every possible kind of grinding application. Use them for sharpening lawn mower blades, screwdriver tips, knives, scissors, chisels and other cutting tools. Use to remove flash from metal castings, deburring any metal after cutting, smoothing welded joints, grinding off rivets and removing rust. These grinding stones can be resharpened with a dressing stone. In machine shops, high speed drills and cutters normally are ground with aluminum oxide grinding wheels. 1/8" shank.

Dremel Accessories (Continued)



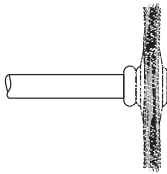
Silicon Carbide Grinding Stones (blue/green)

Tougher than aluminum oxide points, these are made especially for use on hard materials such as glass and ceramics. Typical uses might be the removal of stilt marks and excess glaze on ceramics and engraving on glass. 1/8" shank.



Diamond Wheel Points

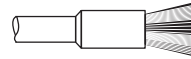
Excellent for fine detail work on wood, jade, ceramic, glass and other hard material. Bits are covered with diamond particles. 1/8" shanks. (Not recommended for drilling)



Wire Brushes

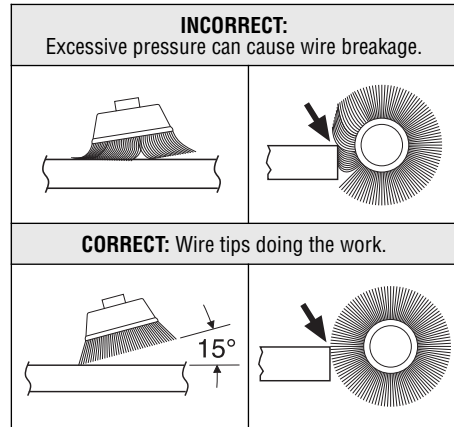
WARNING Maximum operating speed 15,000/min. Allow brush to run at 15,000/min for one minute before use. Refer to Operating Speeds section for proper tool speed setting.

Three different shapes of wire brushes are available. The three shapes come in three different materials: stainless steel, brass and carbon wire. The stainless steel perform well on pewter, aluminum, stainless steel, and other metals, without leaving "after-rust". Brass brushes are non sparking, and softer than steel; making them good for use on soft metal like gold, cooper and brass. The carbon wire brushes are good for general purpose cleaning.



Bristle Brushes

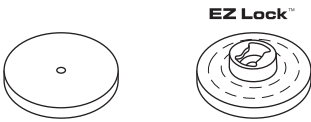
These are excellent cleaning tools on silverware, jewelry and antiques. The three shapes make it possible to get into tight corners and other difficult places. Bristle brushes can be used with polishing compound for faster cleaning or polishing.



Brushing Pressure

1. Remember, the tips of a wire brush do the work. Operate the brush with the lightest pressure so only the tips of the wire come in contact with the work.
2. If heavier pressures are used, the wires will be overstressed, resulting in a wiping action; and if this is continued, the life of the brush will be shortened due to wire fatigue.
3. Apply the brush to the work in such a way that as much of the brush face as possible is in full contact with the work. Applying the side or edge of the brush to the work will result in wire breakage and shortened brush life.

Dremel Accessories (Continued)

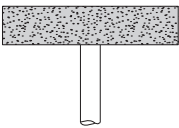


Polishing Accessories

These include an impregnated polishing point and an impregnated polishing wheel for bringing metal surfaces to smooth finish; a felt polishing tip and felt polishing wheel, and cloth polishing wheel, all used for polishing plastics, metals, jewelry and small parts. Also included in this group is a polishing compound (No. 421) for use with the felt and cloth polishers.

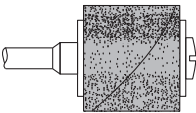
Polishing points make a very smooth surface, but a high luster is obtained using felt or cloth wheels and polishing compound. **For best results polishing accessories should be used at speeds not greater than 15,000 RPM.**

No polishing compound is needed when using the 425 Polishing Wheel.



Aluminum Oxide Abrasive Wheels

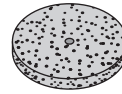
Use to remove paint, deburr metal, polish stainless steel and other metals. Available in medium grit. 1/8" shank.



Sanding Accessories

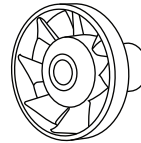
Sanding discs in fine, medium and coarse grades are made to fit mandrel No. 402 and EZ407. They can be used for nearly any small sanding job you might have, from model making to fine furniture finishing. In addition, there is the drum sander, a tiny drum which fits into the Rotary Tool and makes it possible to shape wood, smooth fiberglass, sand inside curves and other difficult places, and other sanding jobs. You replace the sanding bands on the drum as

they become worn and lose their grit. Bands come in fine medium and coarse grades. Flapwheels grind and polish flat or contoured surfaces. They are used most effectively as a finishing sander after heavier surface sanding and material removal is completed. Flapwheels come in fine and coarse grades. Buffs are a great finishing accessory for cleaning and light sanding. They work effectively on metal, glass, wood, aluminum and plastics. Coarse and medium buffs are sold together. All buffs are sold individually. **Do not exceed 15,000 RPM in speed. 1/8" shank.**



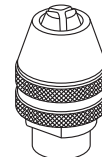
Grinding Wheel

Use for deburring, removing rust, and general purpose grinding. Use with Mandrel #402.



Collet Fan

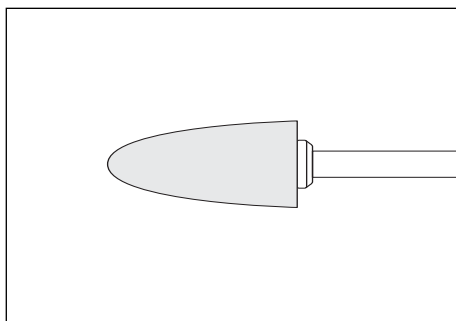
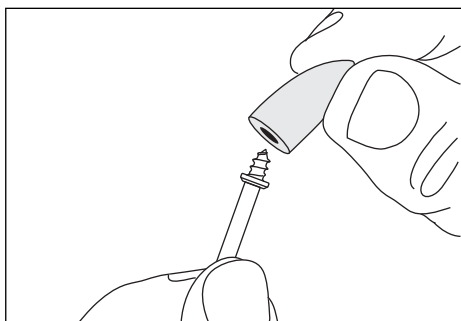
Blows dust away for greater visibility to work piece. Great for sanding, engraving and carving. Do not use dust blower to stop or slow down the tool. Do not contact dust blower with fingers or workpiece during use.



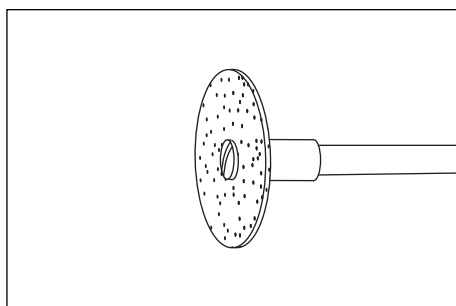
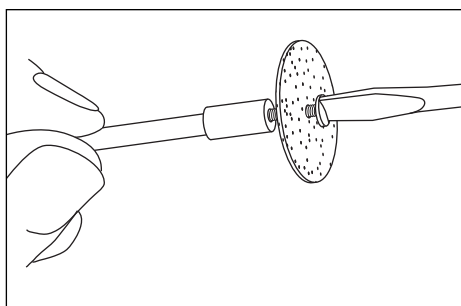
Dremel Chuck

This chuck allows you to quickly and easily change accessories on Dremel Rotary Tools without changing collets. Accepts accessories with 1/32" - 1/8" shank. Read instruction manual. Insert and securely tighten the shank of the accessory well within the jaws of the chuck.

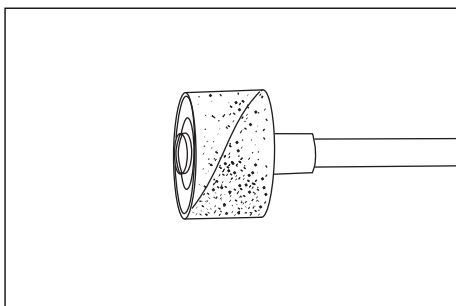
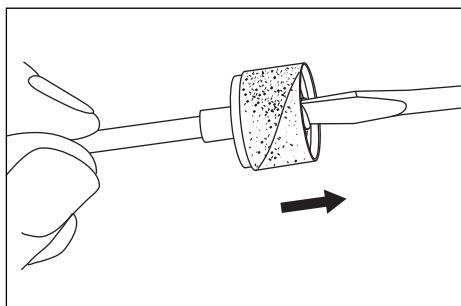
Replacing Screw Mandrel Accessories



Mandrel No. 401 is used with the felt polishing tip and wheels. Thread the tip on to the screw carefully. The felt tip must thread down straight on the screw Mandrel, and be turned all the way to the collar.



Mandrel N° 402 has a small screw at its tip, and is used with sanding discs.



To replace a band on the **Drum Sander**, loosen the screw without removing it to contract the drum then slide the old band off. Slide the new sanding band on and then expand the drum by tightening the screw once again.

⚠ WARNING Before each use, check to make certain that all components are assembled to accessory shank and that the drum is sufficiently expanded to secure the band during use. If sanding band is loose on the drum during operation it may “fly” off and strike you or bystanders.

EZ Lock™ Operating Instructions

EZ Lock™ Mandrel No. EZ402 has a spring-loaded sleeve and is used with sanding disks, abrasive buffs and polishing cloth.

⚠ WARNING Always make sure the rotary tool is “OFF” and disconnect the plug from the power source or the battery pack from the tool before changing accessories. Such preventative safety measures reduce the risk of starting the power tool accidentally.

To load accessory:

1. Insert EZ Lock™ mandrel **1** into collet as deep as possible and tighten Dremel collet nut (Fig. A1).

Note: There is a blue spacer **2** that will bottom out on the collet nut, setting the mandrel to the correct depth.

2. Pull spring-loaded sleeve **3** DOWN towards tool with one hand and hold. You can brace the tool on the body or workbench for extra leverage (Fig. A2).
3. With the other hand, align bow tie interface **4** on mandrel with metal bow tie interface **5** on bottom of accessory **6** (Fig. A2).

4. Place accessory on the mandrel to a point just below the bow tie on the mandrel **4** and twist 90 degrees until the bow tie interface **5** on the accessory **6** aligns with the sleeve **3**. Release sleeve **3**. Accessory **6** should lock in place (Fig. A3).

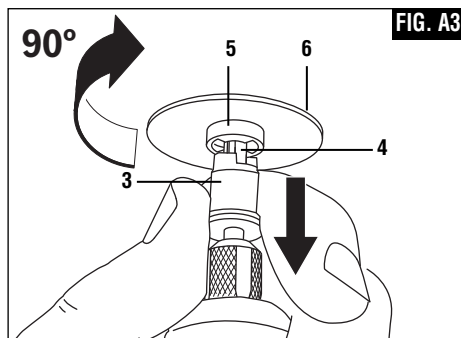
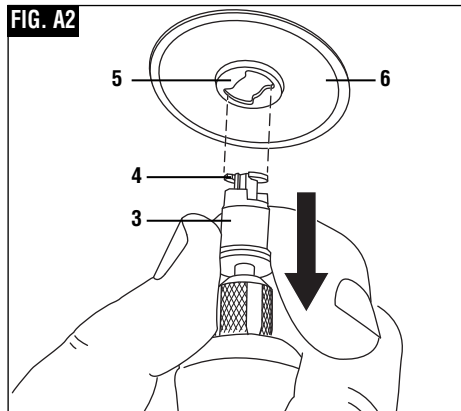
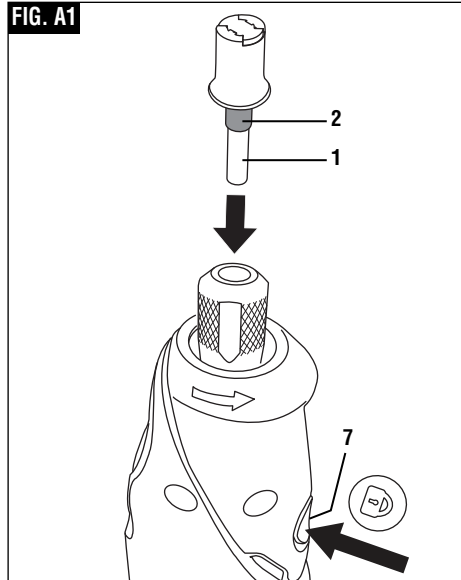
⚠ WARNING Incorrect seating of accessory on mandrel may lead to personal injury or property damage. To check for proper seating, hold shaft lock button **7** and twist the accessory **6**. The accessory **6** will not be able to rotate on mandrel.

To unload accessory:

1. Pull spring-loaded sleeve **3** DOWN toward tool with one hand (Fig. A3).
2. Hold sleeve **3** down while twisting accessory **6** 90 degrees (Fig. A3).
3. Remove accessory **6** (Fig. A3).

During use

Avoid damage to EZ lock™ mandrel by not letting it contact the workpiece.



EZ Drum™ Operating Instructions

EZ Drum™ Mandrel No. EZ407SA has a spring loaded sleeve and is used with sanding bands.

⚠ WARNING Always make sure the rotary tool is “OFF” and disconnect the plug from the power source or the battery pack from the tool before changing accessories. Such preventative safety measures reduce the risk of starting the power tool accidentally.

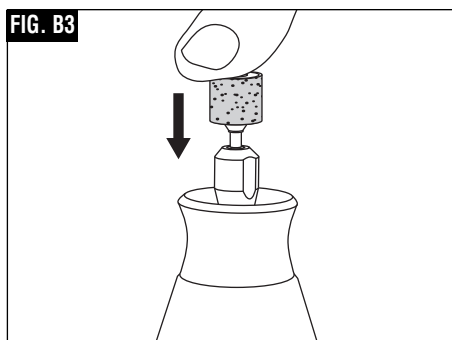
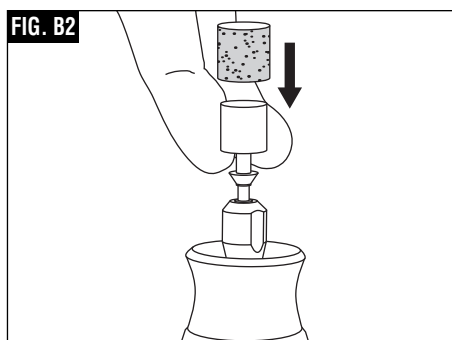
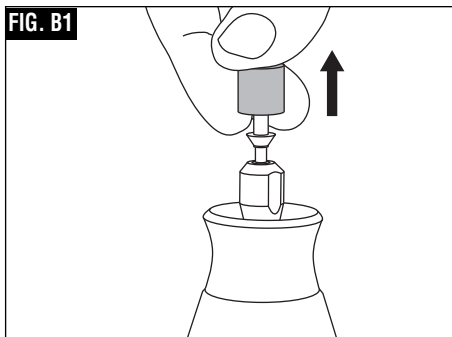
Always make sure accessory is properly seated on mandrel before use. Incorrect seating of accessory on mandrel may lead to personal injury or property damage.

To load accessory:

1. As indicated, place two fingers underneath the mandrel and pull firmly up. This will place the EZ Drum™ in the "unlocked" position (Fig. B1).
2. Keeping two fingers beneath the mandrel, slide the sanding band down until the entire blue mandrel is covered (Fig. B2).
3. To return to "locked" position, press firmly down on the top of the mandrel (Fig. B3).





Removing the sanding band on the mandrel:

1. Place two fingers underneath the mandrel and pull firmly up. This will place the EZ Drum™ in the "unlocked" position (Fig. B1).
2. Sanding band will now easily slide off mandrel (Fig. B2). Do not squeeze sanding band when removing from EZ Drum™ mandrel. This can lead to rubber band pulling off mandrel and becoming inoperable.



Symboles relatifs à la sécurité

Les définitions ci-dessous décrivent le niveau de gravité pour chaque terme signalant un danger. Veuillez lire le mode d'emploi et lire la signification de ces symboles.

	<p>C'est le symbole d'alerte relatif à la sécurité. Il est utilisé pour vous avertir de l'existence possible d'un danger de lésion corporelle. Obéissez à tous les messages relatifs à la sécurité qui suivent ce symbole pour éviter tout risque de blessure ou même de mort.</p>
	<p>DANGER indique une situation dangereuse qui, si elle n'est pas évitée, causera la mort d'une personne ou une blessure grave.</p>
	<p>AVERTISSEMENT indique une situation dangereuse qui, si elle n'est pas évitée, pourrait causer la mort d'une personne ou une blessure grave.</p>
	<p>MISE EN GARDE, conjointement avec le symbole d'alerte en liaison avec la sécurité, indique une situation dangereuse qui, si elle n'est pas évitée, causera une blessure légère ou modérée.</p>

Avertissements généraux concernant la sécurité des outils électroportatifs

AVERTISSEMENT Veuillez lire tous les avertissements et toutes les consignes de sécurité. Si l'on n'observe pas ces avertissements et ces consignes de sécurité, il existe un risque de choc électrique, d'incendie et/ou de blessures corporelles graves.

CONSERVEZ TOUS LES AVERTISSEMENTS ET TOUTES LES CONSIGNES DE SÉCURITÉ POUR RÉFÉRENCE FUTURE.

Dans les avertissements, le terme « outil électroportatif » se rapporte à votre outil branché sur le secteur (avec fil) ou à votre outil alimenté par piles (sans fil).

Sécurité du lieu de travail

Maintenez le lieu de travail propre et bien éclairé.

Les risques d'accident sont plus élevés quand on travaille dans un endroit encombré ou sombre.

N'utilisez pas d'outils électroportatifs dans des atmosphères explosives, comme par exemple en présence de gaz, de poussières ou de liquides inflammables. Les outils électroportatifs produisent des étincelles qui risquent d'enflammer les poussières ou les vapeurs.

Éloignez les enfants et les visiteurs quand vous vous servez d'un outil électroportatif. Vous risquez une perte de contrôle si on vous distrait.

Sécurité électrique

Les fiches des outils électroportatifs doivent correspondre à la prise. Il ne faut absolument jamais modifier la fiche. N'utilisez pas d'adaptateur de prise avec des outils électroportatifs munis d'une fiche de terre. Le risque de choc électrique est moindre si on utilise une fiche non modifiée sur une prise qui lui correspond.

Évitez tout contact du corps avec des surfaces reliées à la terre tels que tuyaux, radiateurs, gazinières ou réfrigérateurs. Le risque de choc électrique augmente si votre corps est relié à la terre.

N'exposez pas les outils électroportatifs à la pluie ou à l'humidité. Si de l'eau pénètre dans un outil électroportatif, le risque de choc électrique augmente.

Ne maltraitez pas le cordon. Ne vous en servez jamais pour transporter l'outil électroportatif, pour le tirer ou pour le débrancher. Éloignez le cordon de la chaleur, des huiles, des arêtes coupantes ou des pièces mobiles. Les cordons abîmés ou emmêlés augmentent les risques de choc électrique.

Si vous utilisez un outil électroportatif à l'extérieur, employez une rallonge conçue pour l'extérieur. Ces rallonges sont faites pour l'extérieur et réduisent le risque de choc électrique.

S'il est absolument nécessaire d'utiliser l'outil électroportatif dans un endroit humide, utilisez une alimentation protégée par un disjoncteur de fuite de terre (GFCI). L'utilisation d'un disjoncteur GFCI réduit les risques de choc électrique.

Sécurité personnelle

Restez concentré, faites attention à ce que vous faites, et servez-vous de votre bon sens lorsque vous utilisez un outil électroportatif. N'employez pas d'outils électroportatifs quand vous êtes fatigué ou sous l'emprise de drogues, d'alcool ou de médicaments. Quand on utilise des outils

électroportatifs, il suffit d'un moment d'inattention pour causer des blessures corporelles graves.

Utilisez des équipements de sécurité personnelle. Portez toujours une protection oculaire. Le port d'équipements de sécurité tels que des masques antipoussières, des chaussures de sécurité antidérapantes, des casques de chantier et des protecteurs d'oreilles dans des conditions appropriées réduira le risque de blessure corporelle.

Évitez les démarrages intempestifs. Assurez-vous que l'interrupteur est dans la position arrêt (Off) avant de brancher l'outil dans une prise de courant et/ou un bloc-piles, de le ramasser ou de le transporter. Le transport d'un outil électroportatif avec le doigt sur la gâchette ou le branchement de cet outil quand l'interrupteur est en position de marche (ON) est une invite aux accidents.

Enlevez toutes les clés de réglage avant de mettre l'outil électroportatif en marche. Si on laisse une clé sur une pièce tournante de l'outil électroportatif, il y a risque de blessure corporelle.

Ne vous penchez pas. Conservez toujours une bonne assise et un bon équilibre. Ceci vous permettra de mieux maîtriser l'outil électroportatif dans des situations inattendues.

Habillez-vous de manière appropriée. Ne portez pas de vêtements amples ou de bijoux. Attachez les cheveux longs. N'approchez pas les cheveux, les vêtements ou les gants des pièces en mouvement. Les vêtements amples, les bijoux ou les cheveux longs risquent d'être happés par les pièces en mouvement.

Si l'outil est muni de dispositifs permettant le raccordement d'un système d'aspiration et de collecte des poussières, assurez-vous que ces dispositifs sont raccordés et utilisés correctement. L'utilisation d'un dépoussiéreur peut réduire les dangers associés à l'accumulation de poussière.

Utilisation et entretien des outils électroportatifs

Ne forcez pas sur l'outil électroportatif. Utilisez l'outil électroportatif qui convient à la tâche à effectuer. L'outil qui convient à la tâche fait un meilleur travail et est plus sûr à la vitesse pour lequel il a été conçu.

Ne vous servez pas de l'outil électroportatif si son interrupteur ne parvient pas à le mettre en marche ou à l'arrêter. Tout outil électroportatif qui ne peut pas être commandé par son interrupteur est dangereux et doit être réparé.

Débranchez la fiche de la prise ou enlevez le bloc-pile de l'outil électroportatif avant tout réglage, changement d'accessoires ou avant de ranger l'outil électroportatif. De telles mesures de sécurité préventive réduisent le risque de démarrage intempestif de l'outil électroportatif.

Rangez les outils électroportatifs dont vous ne servez pas hors de portée des enfants et ne permettez pas à des personnes qui ne connaissent pas l'outil électroportatif ou qui ignorent ces consignes de s'en servir. Les outils électroportatifs sont dangereux dans les mains d'utilisateurs inexpérimentés.

Entretenez les outils électroportatifs. Vérifiez que les pièces mobiles sont alignées correctement et ne coincent pas. Vérifiez qu'il n'y a pas de pièces cassées ou d'autre circonstance qui risquent d'affecter le fonctionnement de l'outil électroportatif. Si l'outil est abîmé, faites-le réparer avant de l'utiliser. De nombreux accidents sont causés par des outils électroportatifs mal entretenus.

Maintenez les outils coupants affûtés et propres. Les outils coupants entretenus correctement et dotés de bords tranchants affûtés sont moins susceptibles de coincer et sont plus faciles à maîtriser.

Utilisez l'outil électroportatif, les accessoires et les embouts d'outil, etc. conformément à ces instructions, en tenant compte des conditions de travail et des travaux à réaliser. L'emploi d'outils électroportatifs pour des tâches différentes de celles pour lesquelles ils ont été prévus peut résulter en une situation dangereuse.

Entretien

Faites réparer votre outil électroportatif par un agent de service qualifié n'utilisant que des pièces de rechange identiques. Ceci assure que la sécurité de l'outil électroportatif est préservée.

Consignes de sécurité pour outils rotatifs

Avertissements relatifs à la sécurité communs aux opérations de meulage, de ponçage, de passage à la brosse métallique, de polissage, de ciselage et de tronçonnage abrasif :

Cet outil électroportatif est conçu pour fonctionner comme outil adapté aux opérations de meulage, de ponçage, de passage à la brosse métallique, de polissage, de ciselage ou de tronçonnage. Lisez l'ensemble des avertissements relatifs à la sécurité, des instructions, des illustrations et des spécifications accompagnant cet outil électroportatif. Le non-respect de toutes les instructions figurant ci-dessous pourrait causer un choc

électrique, un incendie et/ou une blessure grave.

N'utilisez pas d'accessoires qui ne sont pas conçus et recommandés spécifiquement par le fabricant de l'outil. Le simple fait que l'accessoire puisse être connecté à votre outil électroportatif ne suffit pas à garantir un fonctionnement sans danger.

La VITESSE NOMINALE des accessoires doit être au moins égale à la vitesse de fonctionnement indiquée sur l'outil électrique. Si des accessoires fonctionnent à une vitesse supérieure à leur VITESSE NOMINALE, ils risquent de se casser et d'être projetés dans l'air.

Le diamètre extérieur et l'épaisseur de votre accessoire

Consignes de sécurité pour outils rotatifs - (suite)

doivent être compris dans la capacité nominale de votre outil électromécanique. Des accessoires de taille incorrecte ne peuvent pas être contrôlés de façon adéquate.

La taille de l'axe de rotation des meules, des tambours de ponçage ou de tous autres accessoires doit correspondre exactement à celle de l'axe de rotation ou à la douille de l'outil électroportatif. Les accessoires qui ne correspondent pas à la taille du matériel de montage de l'outil électroportatif fonctionneront de manière déséquilibrée, avec des vibrations excessives, et ils risqueraient de causer une perte de contrôle.

Les MEULES MONTÉES à mandrin, ainsi que les cylindres de contact, les outils de coupe ou autres accessoires doivent être totalement insérés dans la douille ou le mandrin. Si le mandrin n'est pas suffisamment maintenu et/ou si le porte-à-faux de la meuleuse est trop long, la MEULE MONTÉE risque de se détacher et d'être éjectée violemment.

N'utilisez pas un accessoire endommagé. Avant chaque utilisation, inspectez l'accessoire (p. ex., une meule abrasive pour vous assurer qu'il n'y a pas de fissures ou d'éclats, un tambour de ponçage pour vous assurer qu'il n'est pas fissuré ou excessivement usé, ou une brosse métallique pour vous assurer qu'elle ne comporte pas de fils desserrés ou fissurés). Si vous avez laissé tomber l'outil ou l'accessoire, inspectez-le pour vous assurer qu'il n'est pas endommagé ou installez un accessoire qui n'est pas endommagé. Après avoir inspecté et installé un accessoire, placez-vous (et toutes autres personnes présentes) hors de la trajectoire prévisible de l'accessoire en rotation, et faites fonctionner l'outil électroportatif à la vitesse maximum à vide pendant une minute. Des accessoires endommagés se briseraient normalement avant la fin de la durée de ce test.

Portez des équipements de protection personnelle. Selon l'application, utilisez un écran de protection du visage, des lunettes de protection ou des lunettes de sécurité. Suivant les besoins, portez également un masque de protection contre la poussière, des protecteurs d'oreilles, des gants et un tablier d'atelier capable d'intercepter des petits objets ou fragments d'ouvrage abrasifs. Le dispositif de protection des yeux doit être capable d'intercepter des débris volants projetés par diverses opérations. L'appareil respiratoire ou le masque de protection doit être capable de filtrer les particules produites par votre opération. Une exposition prolongée à un bruit de haute intensité peut causer une perte auditive.

Veillez à ce que toutes les personnes présentes soient à une distance de sécurité de la zone de travail. Toute personne entrant dans la zone de travail doit porter des équipements de protection personnelle. Des fragments d'ouvrage ou d'un accessoire cassé pourraient être projetés violemment et causer des blessures au-delà de la zone d'opération immédiate.

Tenez seulement l'outil électroportatif par ses surfaces de préhension isolées lorsque vous effectuez une opération lors de laquelle l'accessoire de coupe peut

entrer en contact avec des câbles cachés ou son propre cordon d'alimentation. L'entrée en contact d'un accessoire de coupe avec un fil sous tension pourrait rendre conductrices des parties en métal exposées de l'outil électroportatif et causer un choc électrique à l'opérateur.

Tenez toujours l'outil fermement à la main (ou avec les deux mains) lors de la mise en marche. Le couple de réaction du moteur, lorsqu'il passe à la vitesse maximale, risque de causer une rotation accidentelle de l'outil.

Utilisez des brides de fixation pour soutenir l'ouvrage chaque fois que cela est possible. Ne tenez jamais un ouvrage de petites dimensions d'une main et l'outil de l'autre main lorsque ce dernier est en marche. L'assujettissement d'un ouvrage de petites dimensions vous permet d'utiliser votre main ou vos deux mains pour mieux contrôler l'outil. Des objets ronds tels que des tiges, des tuyaux ou des tubes ont tendance à rouler lorsqu'ils sont coupés, ce qui peut coincer l'embout ou le faire sauter dans votre direction.

Positionnez le cordon à une distance suffisante de l'accessoire en rotation. En cas de perte de contrôle, le cordon risquerait d'être coupé ou coincé, et votre main ou votre bras pourrait être attiré dans l'accessoire en rotation.

Ne posez jamais l'outil électroportatif avant que l'accessoire se soit totalement arrêté. L'accessoire en rotation risquerait d'accrocher la surface et de tirer sur l'outil, vous faisant perdre le contrôle de l'outil électroportatif.

Après avoir changé un embout ou effectué un réglage, veillez à ce que l'écrou de fixation de la douille ou tout autre dispositif de fixation soit solidement attaché. Des dispositifs de fixation mal serrés pourraient changer de position de manière imprévisible et causer une perte de contrôle, auquel cas les composants en rotation mal assujettis se détacheraient et seraient projetés violemment.

Ne laissez pas l'outil électroportatif en marche pendant que vous le transportez. Un contact accidentel avec l'accessoire pourrait lui faire accrocher vos vêtements, attirant ainsi l'accessoire vers votre corps et risquant de vous blesser.

Nettoyez régulièrement les événements d'aération de l'outil électroportatif. Le ventilateur du moteur attirera de la poussière à l'intérieur du carter, et une accumulation excessive de métal en poudre pourrait causer des dangers électriques.

N'utilisez pas l'outil électroportatif à proximité de matériaux inflammables. Des étincelles risqueraient de mettre le feu à ces matériaux.

N'utilisez pas d'accessoires qui nécessitent des liquides de refroidissement. L'utilisation d'eau ou d'autres liquides de refroidissement pourrait causer une électrocution ou un choc électrique.

Utilisez seulement dans un endroit bien ventilé. Travailler dans un environnement sécurisé réduit les risques de blessures.

Prévoyez suffisamment d'espace, au moins 15 cm, entre votre main et la mèche en train de tourner. Maintenez

Consignes de sécurité pour outils rotatifs - (suite)

toutes les parties de votre corps à une distance suffisante de la meche en rotation. La proximité de la meche en rotation par rapport à votre main n'est pas toujours évidente.

Ne touchez pas la meche ou la douille tout de suite après avoir utilisé l'outil. Après l'emploi, la meche et la douille sont trop chaudes pour que l'on puisse les toucher avec les mains nues.

Ne modifiez pas l'outil et ne le soumettez pas à un usage abusif. Toute altération ou modification est considérée comme une utilisation inappropriée et pourrait entraîner des blessures graves.

Ce produit n'a pas été conçu pour une utilisation comme foret dentaire ou pour d'autres applications médicales ou vétérinaires. Cela risquerait de causer des blessures graves.

Avertissements concernant l'effet de rebond et avertissements associés

L'effet de rebond est une réaction soudaine à un pincement ou à l'accrochage d'une meule, d'un plateau porte-disque, d'une brosse ou de tout autre accessoire en rotation. Le pincement ou l'accrochage cause un blocage rapide de l'accessoire en rotation, ce qui, à son tour, cause la projection de l'outil électroportatif qui n'est plus contrôlé dans le sens opposé à celui de la rotation de l'accessoire.

Par exemple, si une meule abrasive est accrochée ou pincée par l'ouvrage, le bord de la meule qui entre dans le point de pincement peut s'enfoncer dans la surface du matériau et causer un choc en retour, étant éjectée violemment du matériau. La meule peut alors être projetée vers l'opérateur, ou dans le sens contraire, en fonction du sens du mouvement de la meule au point de pincement. Les meules abrasives risquent également de se casser dans de telles circonstances.

L'effet de rebond est la conséquence d'une utilisation incorrecte de l'outil électroportatif et/ou de conditions ou de procédures d'utilisation incorrectes ; il peut être évité si l'on prend les précautions appropriées, comme indiqué ci-dessous.

Maintenez une prise ferme sur l'outil électroportatif et positionnez votre corps et vos bras de façon à vous permettre de résister à la force d'un tel effet de rebond éventuel. L'opérateur peut contrôler les forces des effets de rebond s'il prend les précautions nécessaires.

Faites particulièrement attention lorsque vous travaillez dans des coins, sur des bords tranchants, etc. Évitez de faire rebondir l'accessoire ou de le laisser s'accrocher. Les coins, les bords tranchants et les rebondissements ont tendance à accrocher un accessoire en rotation et de causer une perte de contrôle ou un choc en retour.

N'attachez pas une lame de scie dentelée. De telles lames causent souvent des effets de rebond et des pertes de contrôle.

Faites toujours pénétrer l'embout dans le matériau dans le même sens que celui dans lequel le bord coupant en ressort (qui est le même sens que celui dans lequel les copeaux sont projetés). Si l'embout pénètre dans le

matériau dans le mauvais sens, le bord coupant de l'embout risque d'être éjecté de l'ouvrage et d'attirer l'outil dans le sens de pénétration de l'embout.

Lorsque vous utilisez des limeuses, des meules de tronçonnage, des outils de coupe à haute vitesse ou des outils de coupe au carbure de tungstène rotatifs, utilisez toujours des brides de fixation pour immobiliser l'ouvrage de façon sécurisée. Ces meules s'accrocheront si elles sont légèrement inclinées dans la rainure, et un choc en retour est possible. Quand une meule de tronçonnage est accrochée, elle se casse la plupart du temps. Quand une limeuse, un outil de coupe à haute vitesse ou un outil de coupe au carbure de tungstène rotatif est accroché, il risque de sortir de la rainure et de vous faire perdre le contrôle de l'outil.

Avertissements relatifs à la sécurité pour les opérations de meulage et de tronçonnage abrasif :

N'utilisez que les types de meules qui sont recommandés pour votre outil électroportatif et pour certaines applications. Par exemple : ne meulez pas avec le côté d'une meule de tronçonnage. Comme les meules de tronçonnage abrasif sont conçues pour un meulage périphérique, les forces latérales appliquées sur ces meules pourraient les faire éclater.

Pour les cônes et les tampons abrasifs filetés, utilisez seulement des mandrins de meules en bon état avec une bride de fixation d'épaulement de la taille et de la longueur nécessaires. L'utilisation de mandrins appropriés réduira le risque de cassure.

Ne coincez pas une meule de tronçonnage et n'appliquez pas une pression excessive sur une telle meule. Ne tentez pas de réaliser une coupe de profondeur excessive. Ceci causerait une augmentation de la charge et le risque de voir la meule se tordre ou s'accrocher dans la rainure, avec comme conséquence possible un choc en retour ou la cassure de la meule.

Ne positionnez pas votre main dans la trajectoire de la meule en rotation ou derrière celle-ci. Lorsque la meule, au point de fonctionnement, s'éloigne de votre main, l'effet de rebond possible pourrait propulser la meule en rotation et l'outil électroportatif directement vers vous.

Lorsque la meule est pincée ou accrochée, ou quand une opération de coupe est interrompue pour quelque raison que ce soit, mettez l'outil électroportatif hors tension et tenez-le en position fixe jusqu'à ce que la meule s'arrête complètement. Ne tentez jamais de faire sortir la meule de tronçonnage de la rainure pendant qu'elle est toujours en train de tourner, car cela pourrait causer un choc en retour. Effectuez une inspection de la situation et prenez des mesures correctives pour éliminer la cause du pincement ou de l'accrochage de la meule.

Ne recommencez pas à couper dans l'ouvrage immédiatement. Attendez que la meule atteigne sa vitesse normale et introduisez-la alors à nouveau dans l'ouvrage en prenant les précautions nécessaires. La meule risquerait de se coincer, de sortir de la rainure ou de

Consignes de sécurité pour outils rotatifs - (suite)

causer un choc en retour si l'outil électroportatif était remis en marche alors qu'elle se trouvait toujours dans l'ouvrage.

Supportez les panneaux ou les ouvrages de grande taille afin de minimiser le risque de pincement de la meule et de choc en retour. Les ouvrages de grande taille ont tendance à s'affaisser sous leur propre poids. Des supports doivent être placés sous ces ouvrages, à proximité de la ligne de coupe et près du bord de l'ouvrage, des deux côtés de la meule.

Prenez encore plus de précautions lorsque vous découpez une cavité dans des murs existants ou dans d'autres endroits sans visibilité. La meule saillante risque de couper une canalisation d'eau ou de gaz, des fils électriques ou des objets pouvant causer un choc en retour.

Avertissements relatifs à la sécurité pour les opérations avec des brosses métalliques :

Tenez toujours compte du fait que des poils des brosses se détachent et sont projetés par les brosses même dans

des conditions de fonctionnement normales. N'aggravez pas ce problème en faisant pression excessivement sur la brosse. Les poils d'une brosse métallique ainsi projetés peuvent facilement s'enfoncer dans des vêtements légers et/ou dans la peau.

Laissez les brosses fonctionner à la vitesse normale pendant au moins une minute avant de les utiliser. Pendant ce temps personne ne doit se tenir devant la brosse ou dans sa trajectoire possible. Des fils ou poils lâches seront déchargés pendant cette période de fonctionnement initiale.

Dirigez la décharge de la brosse métallique en rotation dans le sens opposé à l'endroit où vous vous trouvez. De petites particules et de minuscules fragments de fils peuvent être déchargés à haute vitesse pendant l'utilisation de ces brosses et risquent de s'enfoncer dans votre peau.

Avertissements supplémentaires concernant la sécurité

⚠ AVERTISSEMENT **Ne pas utiliser un fer à toupie avec le mandrin Dremel.** Le fer pourrait être éjecté comme un projectile et causer de graves blessures.

L'emploi d'un GFCl et de dispositifs de protection personnelle tels que gants et chaussures d'électricien en caoutchouc améliorent votre sécurité personnelle.

Utilisez seulement une alimentation ayant le numéro 2610Z09738 qui est fournie avec l'outil.

N'utilisez pas un outil conçu uniquement pour le C.A. sur une alimentation en C.C. Même si l'outil semble fonctionner, les composants électriques d'un outil prévu pour le C.A. tomberont probablement en panne et risquent de créer un danger pour l'utilisateur.

Maintenez les poignées sèches et exemptes d'huile et de graisse. On ne peut pas maîtriser un outil électroportatif en toute sécurité quand on a les mains glissantes.

Utilisez des brides ou d'autres moyens pratiques de brider ou de supporter la pièce sur une plate-forme stable. Tenir la pièce à la main ou contre le corps est instable et risque de résulter en une perte de contrôle.

Créez un agenda d'entretien périodique pour votre outil. Quand vous nettoyez un outil, faites attention de n'en démonter aucune pièce car il est toujours possible de mal remonter ou de pincer les fils internes ou de remonter incorrectement les ressorts de rappel des capots de protection. Certains agents de nettoyage tels que l'essence, le tétrachlorure de carbone, l'ammoniaque, etc. risquent d'abîmer les plastiques.

Risque de blessure pour l'utilisateur. Le cordon d'alimentation électrique ne doit être réparé que par un Centre de service usine de Dremel ou à un centre de service après-vente Dremel agréé.





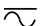


⚠ AVERTISSEMENT **Les travaux à la machine tel que ponçage, sciage, meulage, perçage et autres travaux du bâtiment peuvent créer des poussières contenant des produits chimiques qui sont des causes reconnues de cancer, de malformation congénitale ou d'autres problèmes reproductifs. Ces produits chimiques sont, par exemple :**

- Le plomb provenant des peintures à base de plomb,
- Les cristaux de silices provenant des briques et du ciment et d'autres produits de maçonnerie, et
- L'arsenic et le chrome provenant des bois traités chimiquement.

Le niveau de risque dû à cette exposition varie avec la fréquence de ces types de travaux. Pour réduire l'exposition à ces produits chimiques, il faut travailler dans un lieu bien ventilé et porter un équipement de sécurité approprié tel que certains masques à poussières conçus spécialement pour filtrer les particules microscopiques.











Symboles

IMPORTANT : Certains des symboles suivants peuvent être utilisés sur votre outil. Veuillez les étudier et apprendre leur signification. Une interprétation appropriée de ces symboles vous permettra d'utiliser l'outil de façon plus efficace et plus sûre.

Symbole	Désignation / Explication
V	Volts (voltage)
A	Ampères (courant)
Hz	Hertz (fréquence, cycles par seconde)
W	Watt (puissance)
kg	Kilogrammes (poids)
min	Minutes (temps)
s	Seconds (temps)
∅	Diamètre (taille des mèches de perceuse, meules, etc.)
n_0	Vitesse à vide (vitesse de rotation, à vide)
n	Vitesse nominale (vitesse maximum pouvant être atteinte)
.../min	Tours ou mouvement alternatif par minute (tours, coups, vitesse en surface, orbites, etc., par minute)
0	Position d'arrêt (vitesse zéro, couple zéro ...)
1, 2, 3, ... I, II, III,	Réglages du sélecteur (Réglages de vitesse, de couple ou de position. Un nombre plus élevé signifie une vitesse plus grande)
	Sélecteur variable à l'infini avec arrêt (La vitesse augmente depuis le réglage 0)
	Flèche (action dans la direction de la flèche)
	Courant alternatif (type ou caractéristique du courant)
	Courant continu (type ou caractéristique du courant)
	Courant alternatif ou continu (type ou caractéristique du courant)
	Construction classe II (désigne des outils construits avec double isolation)
	Borne de terre (borne de mise à la terre)

Symboles (suite)

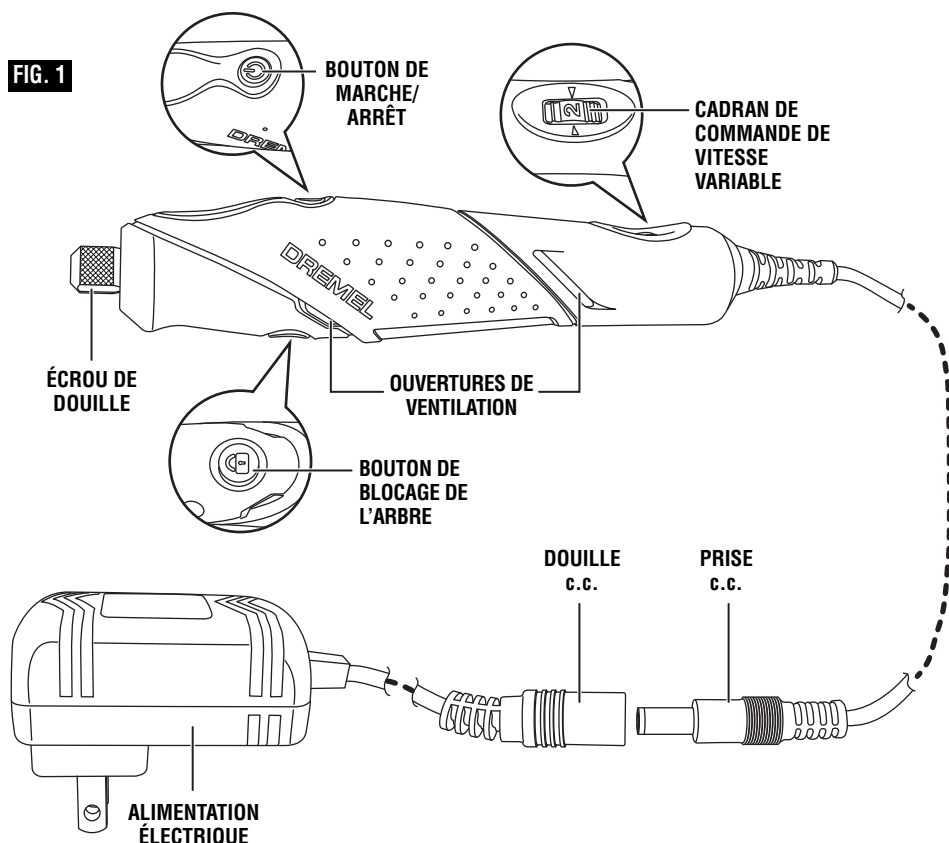
IMPORTANT : Certains des symboles suivants peuvent être utilisés sur votre outil. Veuillez les étudier et apprendre leur signification. Une interprétation appropriée de ces symboles vous permettra d'utiliser l'outil de façon plus efficace et plus sûre.

Symbole	Désignation / Explication
	Désigne le programme de recyclage des piles Li-ion.
	Désigne le programme de recyclage des piles Ni-Cad.
	Alerte l'utilisateur pour lire le mode d'emploi
	Alerte l'utilisateur pour porter des lunettes de sécurité
	Ce symbole signifie que cet outil est approuvé par Underwriters Laboratories.
	Ce symbole indique que ce composant est reconnu par Underwriters Laboratories.
	Ce symbole signifie que cet outil est approuvé par Underwriters Laboratories selon les normes des États-Unis et du Canada.
	Ce symbole signifie que cet outil est approuvé par l'Association canadienne de normalisation.
	Ce symbole signifie que cet outil est approuvé par l'Association canadienne de normalisation selon les normes des États-Unis et du Canada.
	Ce symbole signifie que cet outil est approuvé par Intertek Testing Services selon les normes des États-Unis et du Canada
	Ce symbole signifie que cet outil se conforme aux normes mexicaines NOM.

Description fonctionnelle et spécifications

AVERTISSEMENT Débranchez la fiche de la prise de courant avant d'effectuer quelque assemblage ou réglage que ce soit ou de changer les accessoires. Ces mesures de sécurité préventive réduisent le risque d'une mise en marche accidentelle de l'outil.

Outil rotatif à grande vitesse Modèle 2050



Numéro de modèle	2050
Puissance nominale d'entrée	120V \sim 50 – 60Hz
Puissance nominale de sortie	18V --- 0,5A
Vitesse nominale	n 5 000 – 22 000 /min
Capacité du mandrin	0,8 mm – 3,2 mm

Assemblage

AVERTISSEMENT Débranchez toujours l'outil rotatif avant de changer les accessoires ou les douilles, ou de faire l'entretien de votre outil rotatif.

DOUILLES

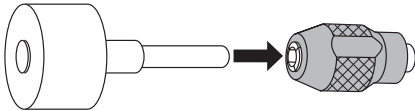
Quatre tailles différentes de douilles (reportez-vous à l'illustration), adaptées à des tailles différentes de tiges, sont offertes pour votre outil rotatif. Pour le montage une autre douille, retirez l'écrou de la douille ainsi que la douille à remplacer. Insérez l'extrémité non fendue de la douille dans l'ouverture à l'extrémité de l'arbre de l'outil. Remplacez l'écrou sur l'arbre.

MISE EN GARDE Utilisez toujours la douille de même grosseur que la tige de l'accessoire que vous désirez utiliser. Ne forcez jamais une tige trop grosse pour la douille.

Remarque : La plupart des kits d'outils rotatifs n'incluent pas tous les quatre formats de douilles.

DÉGAGEMENT DE DOUILLES COINCÉES

Il est possible qu'une douille se coince dans l'écrou, tout particulièrement si un écrou est serré sur l'outil sans que le foret ne soit en place. Dans un tel cas, la douille peut être dégagée de son écrou en poussant la tige d'un accessoire dans l'orifice de l'écrou de la douille. Ceci devrait causer l'éjection de la douille de son écrou.



ÉCROU DE DOUILLE

Pour desserrer, appuyez d'abord sur le bouton de blocage de l'arbre et tournez l'arbre à la main jusqu'à ce que le dispositif de blocage engage l'arbre, empêchant ainsi toute rotation ultérieure. Votre outil Dremel 2050 est fourni avec un mécanisme de blocage rapide de la douille.

MISE EN GARDE N'appuyez pas sur le bouton de blocage de l'arbre pendant que l'outil rotatif est en marche.

L'arbre étant bloqué, utilisez la clé à douille pour desserrer l'écrou de douille, au besoin. L'écrou de douille doit être engagé sans serrer lors de l'insertion d'un accessoire. Changez les accessoires en insérant le nouvel accessoire le plus loin possible dans la douille de serrage, réduisant ainsi les risques d'éjection ou de déséquilibre. Avec le mécanisme de verrouillage de l'arbre engagé, utilisez une clé de serrage pour serrer suffisamment l'écrou de fixation (Fig. 3). Évitez de serrer l'écrou de douille trop fort quand il n'y a pas d'embout.

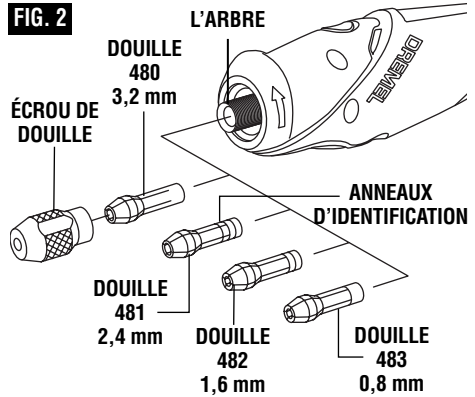


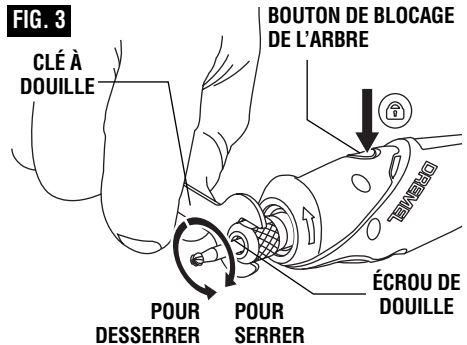
TABLEAU D'IDENTIFICATION DES DOUILLES DE SERRAGE — Les tailles des douilles de serrage peuvent être identifiées par les anneaux à l'extrémité arrière de la douille.

La douille de 0,8 mm possède un (1) anneau.

La douille de 1,6 mm possède deux (2) anneaux.

La douille de 2,4 mm possède trois (3) anneaux.

La douille de 3,2 mm ne possède aucun anneau. (Inclus dans la plupart des kits d'outils sur l'outil)



Assemblage

ÉQUILIBRAGE DES ACCESSOIRES

Pour les travaux de précision, il est important que tous les accessoires soient équilibrés correctement (exactement comme les pneus sur votre voiture). Pour restaurer la concentricité ou pour équilibrer un accessoire, desserrez légèrement le mandrin ou l'élément de fixation de mors, et faites tourner l'accessoire ou le mors d'un quart de tour. Resserrez le mandrin ou l'élément de fixation de mors, et remettez l'outil rotatif en marche. Vous devriez pouvoir reconnaître par le son et au toucher si votre accessoire

fonctionne de façon équilibrée. Continuez à ajuster de cette manière jusqu'au moment où vous aurez obtenu le meilleur équilibre possible. Pour maintenir l'équilibre sur les pointes rotatives abrasives, avant chaque utilisation, après avoir sécurisé la pointe rotative à l'intérieur du mors, mettez l'outil rotatif sous tension et appuyez légèrement sur la pierre de dressage 415 pour qu'elle frotte contre la pointe rotative en train de tourner. Ceci élimine les bosses et permet à la pointe rotative de tourner à nouveau de façon concentrique pour assurer un bon équilibre.

Consignes de fonctionnement

CONSIGNES DE SÉCURITÉ IMPORTANTES – CONSERVER CES CONSIGNES DE SÉCURITÉ.

DANGER – RESPECTER SCRUPULEUSEMENT CES CONSIGNES DE SÉCURITÉ AFIN DE RÉDUIRE LE RISQUE D'INCENDIE OU DE CHOC ÉLECTRIQUE.

Pour le raccordement à une source d'alimentation en dehors des États-Unis, utiliser un adaptateur de fiche ayant la configuration appropriée pour la prise de courant si nécessaire.

⚠ AVERTISSEMENT Observez tous les avertissements et toutes les consignes de sécurité lors de l'utilisation de l'outil rotatif. Le non-respect des procédures recommandées pourrait causer des blessures ou des dommages matériels.

Dremel 2050

Merci d'avoir acheté l'outil rotatif Dremel 2050. Ce produit a été conçu par les nombreux utilisateurs des produits Dremel, qui utilisent leurs outils rotatifs avec passion chaque jour. Cet outil a été conçu pour produire la meilleure performance possible lorsque vous travaillez sur des projets versatiles détaillés.

L'outil rotatif Dremel 2050 est un outil versatile qui produit les meilleurs résultats pour les projets artisanaux détaillés. Son profil mince vous permet de contrôler au maximum cet outil en travaillant très près de votre ouvrage. La conception légère et la préhension souple de l'outil signifient qu'il peut être tenu confortablement pendant des périodes d'utilisation prolongées.

L'inclusion du mandrin Dremel vous permet d'utiliser tout accessoire dont la tige ou la queue a un diamètre compris entre 1/32 po et 1/8 po. Vous n'avez donc pas besoin de changer de mors lorsque vous remplacez un accessoire par un autre accessoire ayant une taille différente. Vous apprécierez les nombreuses applications sur lesquelles vous pourrez travailler avec l'outil rotatif Dremel 2050.

Introduction à l'outil rotatif

Cet outil rotatif est tenu confortablement à la main, et il est conçu pour être compatible avec des accessoires variés, dont des pointes à graver et des couteaux, des disques de polissages, des brosses et des rubans de ponçage. Les accessoires sont offerts en différentes

formes et ils vous permettent d'exécuter différentes tâches. À mesure que vous vous familiariserez avec l'éventail d'accessoires et leurs usages, vous constaterez la grande souplesse d'emploi de l'outil rotatif et découvrirez de nombreux usages auxquels vous n'avez pas pensé auparavant.

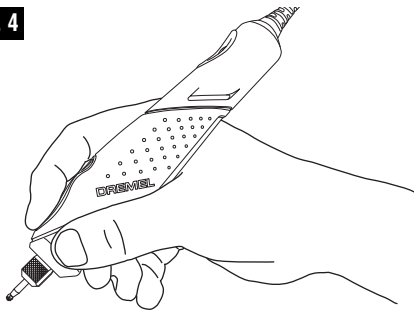
Le véritable secret de l'outil rotatif tient à sa vitesse. Pour comprendre les avantages de sa grande vitesse, il vous faut savoir que la perceuse électrique portative standard fonctionne à des vitesses allant jusqu'à 2 800 tours/minute. L'outil rotatif fonctionne à des vitesses allant jusqu'à 22 000 tours/minute. La perceuse électrique standard est un outil à basse vitesse mais à couple élevé ; l'outil rotatif est précisément l'inverse, un outil à grande vitesse mais à couple réduit. La principale différence pour l'utilisateur est que dans les outils à grande vitesse, la vitesse combinée avec l'accessoire monté dans le mandrin ou dans le mors fait le travail. Il ne vous est nullement nécessaire d'exercer une pression sur l'outil ; il vous suffit de tenir et de guider l'outil. Dans le cas des outils à basse vitesse, non seulement devez-vous guider l'outil, vous devez également exercer une pression sur celui-ci comme vous le faites, par exemple, en perçant un trou.

C'est cette vitesse élevée combinée avec sa taille compacte et des accessoires spéciaux variés qui rendent cet outil rotatif différent des autres outils. La vitesse lui permet de faire des travaux que des outils moins rapides ne pourraient pas faire, comme graver du verre ou poncer des bords en bois rugueux.

Pour tirer le maximum de votre outil rotatif, il vous faut apprendre comment mettre cette vitesse à votre service. Pour en savoir plus sur d'autres emplois et sur la versatilité des accessoires et compléments de Dremel,

Consignes de fonctionnement

FIG. 4



référez-vous à ce Mode d'emploi, rendez-vous sur notre site Web à www.Dremel.com, ou rejoignez la conversation sur [facebook.com/dremel](https://www.facebook.com/dremel).

Mise de l'outil sous tension/hors tension

Insérez la prise c.c. de l'outil rotatif dans la douille c.c. de l'alimentation électrique (Fig. 1). Insérez l'alimentation dans la prise de courant.

L'outil est mis sous tension en utilisant le bouton de marche/arrêt (Fig. 1 et 9).

POUR METTRE L'OUTIL SOUS TENSION, appuyez sur le bouton bleu de marche/arrêt, puis relâchez-le.

POUR METTRE L'OUTIL HORS TENSION, appuyez sur le bouton de marche/arrêt, puis relâchez-le.

Réglez la vitesse de l'outil en utilisant le cadran de commande de vitesse. Voir la section « Vitesses de fonctionnement ».

Comment éviter que le moteur ne cale

Cet outil incorpore un mécanisme de protection contre les blocages pour protéger le moteur au cas où il calerait. Si vous calez l'outil pendant trop longtemps, ou si la mèche se coince dans un ouvrage, en particulier à vitesse élevée, le moteur s'éteindra automatiquement.

Faites simplement sortir l'outil du matériau dans lequel il était coincé, remettez-le en marche et continuez à vous en servir.

Utilisation de l'outil rotatif

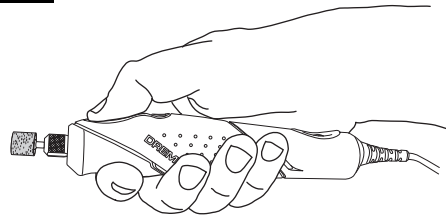
Apprendre à utiliser l'outil rotatif, c'est d'abord en connaître le maniement. Tenez-le dans votre main pour en sentir le poids et l'équilibre. Habituez-vous à la forme conique de son boîtier qui permet d'empoigner l'outil rotatif comme s'il s'agissait d'un stylo ou d'un crayon (Fig. 4)



Portez Des Lunettes De Protection

Tenez toujours l'outil éloigné de votre visage. Certains accessoires peuvent avoir été endommagés durant la manutention et peuvent alors se séparer en morceaux lorsqu'ils atteignent une certaine vitesse. Ceci ne survient pas fréquemment, mais il vaut mieux prévenir.

FIG. 5



⚠ MISE EN GARDE Chaque fois que vous prenez l'outil, veillez à ne pas couvrir les trous d'aération avec votre main, ce qui a pour effet d'empêcher l'air de circuler à l'intérieur et ainsi faire surchauffer le moteur.

Pratiquez d'abord sur des matériaux de rebut pour voir comment fonctionne l'action à haute vitesse de l'outil rotatif. N'oubliez pas que le travail est accompli par la vitesse de l'outil et par l'accessoire monté dans la douille. Vous ne devez pas appuyer sur l'outil ni pousser celui-ci pendant l'usage.

Abaissez légèrement l'accessoire en train de tourner au-dessus de l'ouvrage et laissez-le entrer en contact avec l'endroit où vous voulez commencer à poncer ou à graver. Ayez vos efforts sur le guidage de l'outil sur la pièce, en n'exerçant qu'une très faible pression de votre main. Laissez l'accessoire faire le travail.

Afin d'obtenir le meilleur contrôle possible pour des tâches effectuées de près ou pour la finition, saisissez l'outil rotatif comme s'il s'agissait d'un crayon entre le pouce et l'index (Fig. 4).

La méthode de tenue de l'outil du type golf est utilisée pour des opérations plus agressives telles que la rectification d'une surface plate ou le ponçage (Fig. 5).

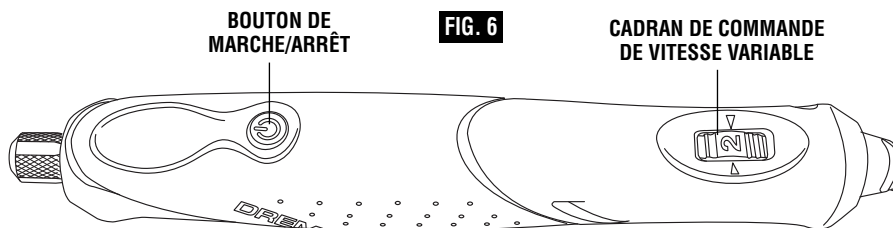
Il est habituellement préférable de passer l'outil plusieurs fois plutôt que de tenter de faire tout le travail d'une seule fois. Pour poncer une surface en bois, par exemple, faites passer l'outil à plusieurs reprises sur l'ouvrage, comme vous feriez avec un petit pinceau si vous vouliez le peindre. Poncez un peu de matériau lors de chaque passage jusqu'à ce que vous ayez atteint la profondeur désirée. L'approche douce et adroite est celle qui convient le mieux à la plupart des tâches. Vous exercez ainsi un meilleur contrôle, êtes moins susceptible de commettre des erreurs, et obtenez le meilleur rendement de l'accessoire.

Utilisez une pièce d'essai afin de sélectionner la vitesse convenant à chaque tâche.

CADRAN DE COMMANDE DE VITESSE VARIABLE

Votre outil est pourvu d'un cadran de commande de vitesse variable. La vitesse peut être contrôlée pendant

Vitesses de fonctionnement



le fonctionnement en réglant à l'avance le cadran sur l'une quelconque des positions ou entre deux positions quelconques.

Vous pouvez vous référer aux tableaux des page 34 pour déterminer la vitesse appropriée, en fonction du matériau sur lequel vous travaillez et du type d'accessoire utilisé. Ces tableaux vous permettent de sélectionner en un seul coup d'œil à la fois l'accessoire correct et la vitesse optimale.

La vitesse de l'outil rotatif est contrôlée par le réglage de ce cadran sur le bâti (Fig. 6).

Réglages pour les nombres approximatifs de révolutions suivants :

Réglage du cadran	Plage de vitesses
1	5 000-7 000 tr/mn
2	8 000-10 000 tr/mn
*3	11 000-14 000 tr/mn
4	15 000-18 000 tr/mn
5	19 000-22 000 tr/mn

* Réglage maximum pour une brosse en métal.

Nécessité de vitesses plus lentes

Cependant, certains matériaux (certains plastiques et métaux précieux, par exemple) nécessitent une vitesse relativement lente parce que la friction de l'accessoire à haute vitesse produit de la chaleur et peut endommager le matériau.

Les basses vitesses (15 000 tours/minute ou moins) sont généralement préférables pour les opérations de polissage ayant recours à des accessoires de polissage en feutre. Elles peuvent également être préférables pour certains travaux délicats tels que la sculpture ou la gravure délicate dans le bois, et les pièces fragiles de modelage. Toutes les applications de brossage nécessitent une vitesse plus faible pour éviter que les fils de fer ne soient éjectés du moyeu de la brosse.

Des vitesses plus élevées sont préférables pour graver et texturer du bois.

Les bois durs, les métaux et le verre nécessitent une vitesse élevée, tout comme le perçage qui doit également être effectué à haute vitesse.

Le point à retenir est celui-ci : Un grand nombre d'applications et d'accessoires de notre gamme de produits donneront les meilleurs résultats à la vitesse maximum, mais pour certains matériaux, applications et accessoires, des vitesses inférieures peuvent s'avérer nécessaires, ce qui est la raison pour laquelle nos modèles à vitesse variable sont disponibles.

Pour vous aider à déterminer la vitesse de

fonctionnement optimale pour différents matériaux et accessoires, nous avons construit une série de tableaux qui apparaissent aux page 34. En vous référant à ces tableaux, vous pouvez découvrir les vitesses recommandées pour chaque type d'accessoire. Regardez ces tableaux et familiarisez-vous avec eux.

En dernière analyse, la meilleure façon de déterminer la bonne vitesse de travail sur un matériau donné est de procéder à des essais pendant quelques minutes sur une pièce de rebut, même après avoir consulté le tableau. Vous apprendrez vite qu'une vitesse plus lente ou plus rapide est plus efficace, par une simple observation de ce qui se produit lorsque vous passez l'outil une ou deux fois à des vitesses différentes.

Certaines règles concernant la vitesse :

- Le polissage, l'émeulage et le nettoyage à l'aide d'un type quelconque de brosse métallique doivent se faire à des vitesses non supérieures à 15 000 tours/minute afin de prévenir les dommages à la brosse.
- Il ne suffit pas d'accroître la pression sur l'outil lorsqu'il ne coupe pas à votre satisfaction. Peut-être devriez-vous utiliser un accessoire différent, et peut-être qu'un ajustement de vitesse solutionnerait le problème. Faire pression sur l'outil n'est d'aucune aide.

Laissez la vitesse faire le travail !

Utilisez uniquement des accessoires Dremel® ultra-performants.

Questions ou problèmes ? Composez le 1-800-437-3635 ou visitez notre site web à www.Dremel.com

Réglage du cadran de commande de vitesse

Réglez le cadran de commande de vitesse sur le paramètre recommandé en fonction du matériau sur lequel vous travaillez et du numéro de catalogue de l'accessoire utilisé. Afin de déterminer la plage de vitesses recommandée pour chaque paramètre, veuillez vous référer à la section « Vitesses de fonctionnement » à la page 33.

Couteaux à coupe rapide								
Numéro de catalogue	Bois tendre	Bois dur	Stratifiés /plastique	Acier	Aluminium, laiton, etc.	Coquille/pierre	Céramique	Verre
191	5	5	2	3-4	3-4	-	-	-
125	5	3-4	2	3-4	3-4	-	-	-

Couteaux à graver								
Numéro de catalogue	Bois tendre	Bois dur	Stratifiés /plastique	Acier	Aluminium, laiton, etc.	Coquille/pierre	Céramique	Verre
105	5	5	5	2	3-4	-	-	-

Pointes de meule en diamant								
Numéro de catalogue	Bois tendre	Bois dur	Stratifiés /plastique	Acier	Aluminium, laiton, etc.	Coquille/pierre	Céramique	Verre
7103	5	5	-	-	-	5	5	5

Accessoires de polissage								
Numéro de catalogue	Bois tendre	Bois dur	Stratifiés /plastique	Acier	Aluminium, laiton, etc.	Coquille/pierre	Céramique	Verre
414, 429	-	-	-	3-4	3-4	3-4	3-4	3-4

Brosses métalliques								
Numéro de catalogue	Bois tendre	Bois dur	Stratifiés /plastique	Acier	Aluminium, laiton, etc.	Coquille/pierre	Céramique	Verre
428	2-3	2-3	1	2-3	2-3	-	-	-

Bandes et disques à poncer								
Numéro de catalogue	Bois tendre	Bois dur	Stratifiés /plastique	Acier	Aluminium, laiton, etc.	Coquille/pierre	Céramique	Verre
430, 431, 438	1-5	1-5	1-4	5	5-8	1-5	1-5	-

Entretien

Service

⚠ AVERTISSEMENT IL N'EXISTE À L'INTÉRIEUR AUCUNE PIÈCE SUSCEPTIBLE D'ÊTRE ENTRETENUE PAR L'UTILISATEUR. L'entretien préventif exécuté par des personnes non autorisés peut entraîner un positionnement erroné des composants et des fils internes, ce qui peut présenter de graves dangers. Nous recommandons de confier toute intervention d'entretien sur l'outil à un centre de service-usine Dremel. **TECHNICIENS** : Débranchez l'outil et/ou le chargeur de la source de courant avant d'entretenir.

MOTEURS C.C.

Le moteur de votre outil a été conçu pour de nombreuses heures d'utilisation fiable. Pour maintenir l'efficacité maximale du moteur, nous recommandons de l'examiner tous les six mois. Seul un moteur de remplacement Dremel authentique, conçu spécialement pour votre outil, doit être utilisé.

Nettoyage

⚠ AVERTISSEMENT Pour éviter les accidents, débranchez toujours l'outil et/ou le chargeur de la source de courant avant de nettoyer. La façon la plus efficace de nettoyer l'outil est à l'aide d'air sec comprimé. Portez toujours des lunettes de sécurité en nettoyant les outils à l'air comprimé.

Les prises d'air et les leviers de commutation doivent être gardés propres et exempts de corps étrangers. Ne tentez pas de nettoyer en insérant des objets pointus à travers l'ouverture.

⚠ MISE EN GARDE Certains agents de nettoyage et certains dissolvants abîment les pièces en plastique. Parmi ceux-ci se trouvent: l'essence, le tétrachlorure de carbone, les dissolvants de nettoyage chlorés, l'ammoniaque ainsi que les détergents domestiques qui en contiennent.

Cordons de rallonge

⚠ AVERTISSEMENT Si un cordon de rallonge s'avère nécessaire, vous devez utiliser un cordon avec conducteurs de dimension adéquate pouvant porter le courant nécessaire à votre outil. Ceci préviendra une chute excessive de tension, une perte de courant ou une surchauffe. Les outils mis à la terre doivent utiliser des cordons de rallonge trifilaires pourvus de fiches à trois broches ainsi que des prises à trois broches.

REMARQUE: Plus le calibre du cordon est petit, plus sa capacité est élevée.

DIMENSIONS DE RALLONGES RECOMMANDÉES OUTILS 120 VOLTS COURANT ALTERNATIF

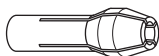
Intensité nominale de l'outil	Calibre A.W.G.				Calibre en mm ²			
	Longueur en pieds				Longueur en mètres			
	25	50	100	150	15	30	60	120
3-6	18	16	16	14	0.75	0.75	1.5	2.5
6-8	18	16	14	12	0.75	1.0	2.5	4.0
8-10	18	16	14	12	0.75	1.0	2.5	4.0
10-12	16	16	14	12	1.0	2.5	4.0	-
12-16	14	12	-	-	-	-	-	-

Accessoires Dremel

⚠ AVERTISSEMENT Utilisez uniquement des accessoires Dremel® ultra-performants. Aucun des autres accessoires n'a été conçu pour cet outil. Leur usage pourrait occasionner des blessures corporelles ou des dommages matériels.

Ranger les accessoires dans un environnement sec et tempéré pour éviter les risques de corrosion et de détérioration.

Le nombre et l'assortiment d'accessoires pour l'outil rotatif sont pratiquement illimités. Il existe une catégorie convenant à presque toutes les tâches que vous avez à accomplir — ainsi qu'un éventail de tailles et de formes à l'intérieur de chaque catégorie vous permettant ainsi d'obtenir l'accessoire parfait qui satisfait tous les besoins.

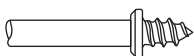


Douilles

Si vous vous attendez à utiliser différents accessoires, nous vous recommandons d'acheter initialement un jeu complet de quatre douilles. Rangez-les de manière à avoir la douille de taille appropriée pour tout accessoire ou foret que vous désirez utiliser. **Les douilles de 3,2 mm, 2,4 mm, 0,8 mm et 1,6 mm peuvent actuellement recevoir tous les accessoires Dremel offerts. Les douilles d'1/8 po sont comprises dans la plupart des kits d'outils rotatifs.**

Mandrins

Un mandrin est une tige à embout fileté ou à vis qui est nécessaire pour l'utilisation d'accessoires de polissage, de disques de découpage, de disques de ponçage ou de meules de polissage. Les mandrins sont utilisés parce que les disques de ponçage, les disques de découpage et les accessoires similaires doivent être remplacés souvent. Le mandrin est une tige permanente, ce qui vous permet de ne remplacer que la tête usée quand cela est nécessaire et d'économiser les frais de remplacer l'arbre chaque fois.



Mandrin à vis N° 401

Il s'agit d'un mandrin à vis utilisé avec la pointe de polissage en feutre et les disques de polissage en feutre. Tiges de 3,2 mm.



Mandrin à petite vis N° 402

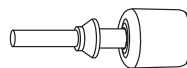
Il s'agit d'un mandrin avec une petite vis à son extrémité. Il s'utilise avec les disques de découpage en émeri et en fibre de verre, les disques de ponçage et les disques de polissage. Tiges de 3,2 mm.



EZ Lock™

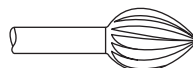
Mandrin EZ Lock N° 402

Le mandrin Dremel EZ Lock rend les changements d'accessoires aussi faciles que TIRER - TOURNER - RELÂCHER. Le modèle de mandrin monobloc simplifie le processus de remplacement des meules à tronçonner et facilite la coupe à travers le plastique.



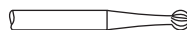
Mandrin EZ Drum™ N° EZ407SA

L'accessoire Dremel EZ Drum permet de changer d'accessoires en trois étapes simples : TIRER – POSITIONNER – ASSUJETTIR. La conception monobloc du mandrin simplifie le processus de changement des disques de ponçage.



Couteaux à grande vitesse

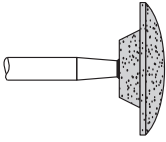
Offerts en un grand nombre de formes, les couteaux à grande vitesse servent à ciseler, couper et mortaiser dans le bois, les matières plastiques et les métaux mous tels que l'aluminium, le cuivre et le laiton. Ce sont les accessoires à utiliser pour le détournage à main libre ou le ciselage dans le bois ou le plastique, ainsi que pour le coupage de précision. Faits d'acier de haute qualité. Tiges de 3,2 mm.



Couteaux à graver

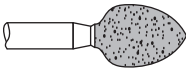
Ce groupe présente un vaste éventail de tailles et de formes, et ces couteaux sont conçus pour le travail délicat sur la céramique (à l'état vert), les sculptures en bois, les bijoux et la gravure sur coquillages, os, etc. On les utilise souvent dans le travail complexe de production des plaquettes à circuits imprimés. Ils ne doivent pas être utilisés sur l'acier et autres matériaux très durs, mais ils sont excellents sur le bois, les matières plastiques et les métaux mous. Ils nécessitent des tiges de 2,4 mm.

Accessoires Dremel - (suite)



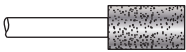
Meules en oxyde d'aluminium (orange/brun)

Rondes, pointues, plates : elles sont offertes dans toutes les formes. Ces meules sont faites d'oxyde d'aluminium et elles couvrent pratiquement chaque application de meulage. Vous pouvez les utiliser pour aiguiser les lames de tondeuse à gazon, les pointes de tournevis, les couteaux, les ciseaux, les burins et autres outils de coupe. Utilisez-les pour enlever les bavures sur les pièces coulées en métal, ébarber tout métal après la coupe, lisser les joints soudés, meuler les rivets et enlever la rouille. Ces meules peuvent être ré-aiguisées avec une pierre d'ébarbage. Dans les ateliers d'usinage, les forets et les couteaux pour usage à grande vitesse sont généralement meulés à l'aide de disques en oxyde d'aluminium. Tiges de 3,2 mm.



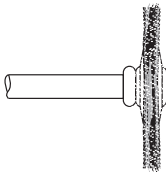
Meules au carbure de silicium (bleu/vert)

Plus robustes que les pointes en oxyde d'aluminium, ces meules sont conçues spécialement pour usage sur les matériaux durs tels que le verre et la céramique. On les utilise souvent pour enlever les marques et l'excès de glaçure sur la céramique, ainsi que la gravure sur le verre. Tiges de 3,2 mm.



Pointes de meule en diamant

Excellentes pour le travail de précision sur le bois, le jade, la céramique, le verre et autres matériaux durs. Les mèches sont recouvertes de particules de diamant. Tiges de 2,4 mm.

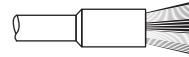


Brosses métalliques

AVERTISSEMENT Vitesse de fonctionnement maximum : 15 000 tr/min. Laissez la brosse tourner à 15 000 tr/min pendant une minute avant toute utilisation. Référez-vous à la section consacrée aux vitesses de fonctionnement pour trouver le réglage de vitesse approprié.

Trois formes différentes de brosses en fil métallique sont offertes. Les trois formes sont offertes en trois

matériaux différents : acier inoxydable, laiton et fil de carbone. L'acier inoxydable est efficace sur l'étain, l'aluminium, l'acier inoxydable et les autres métaux, sans laisser d'« après-rouille ». Les brosses en laiton ne forment pas d'étincelles et sont plus douces que l'acier, ce qui les rend adaptées pour usage sur les métaux mous tels que l'or, le cuivre et le laiton. Les brosses en fil de carbone sont bonnes pour le nettoyage à usage général.

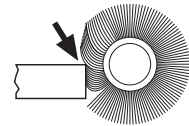
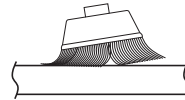


Brosses de soies de porc

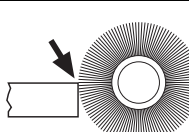
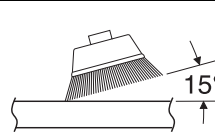
Ces brosses conviennent parfaitement bien au nettoyage de l'argenterie, des bijoux et des objets d'antiquité. Les trois formes permettent d'atteindre les angles étroits et autres endroits difficiles d'accès. Les brosses de soies de porc peuvent être utilisées avec la pâte à polir pour accélérer le nettoyage ou le polissage.

INCORRECT :

une pression excessive risquerait de casser les fils



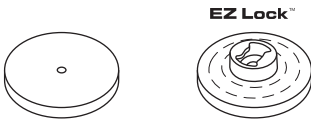
CORRECT : les pointes de la brosse font le travail



Pression de brossage

1. Souvenez-vous : ce sont les pointes d'une brosse métallique qui font le travail. N'appliquez qu'une pression très légère sur la brosse de sorte que seules les pointes des poils viennent en contact avec la pièce.
2. Si vous appliquez une pression trop importante, les poils seront surchargés, résultant en un balayage de la pièce. Si ceci se prolonge, la durée de vie de la brosse s'en trouvera écourtée à cause de la fatigue des poils.
3. Appliquez la brosse sur la pièce de manière à ce que la plus grande partie possible de sa tranche soit en contact total avec la pièce. Appliquer le côté ou le bord de la brosse sur la pièce résulterait en une cassure des poils et écourterait sa durée de vie.

Accessoires Dremel - (suite)

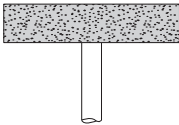


Accessoires de polissage

Ceux-ci comprennent une pointe ainsi qu'un disque à polir, tous deux imbibés, pour lisser les surfaces métalliques ; une pointe et un disque en feutre ainsi qu'un disque en tissu servant tous à polir les matières plastiques, les métaux et les petites pièces de bijouterie. Ce groupe comprend également une pâte à polir (N° 421) pour usage avec les disques à polir en feutre et en tissu.

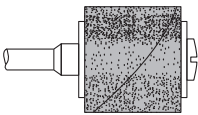
Les pointes de polissage produisent une surface très lisse, mais la surface est plus éclatante lorsque l'on utilise les disques en feutre ou en tissu et la pâte à polir. **Pour obtenir les meilleurs résultats, les accessoires de polissage doivent être utilisés à des vitesses non supérieures à 15 000 tr/mn.**

Aucune pâte à polir n'est nécessaire si on utilise le disque à polir N° 425.



Meules abrasives en oxyde d'aluminium

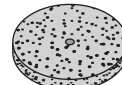
Servent à enlever la peinture, ébarber le métal et polir l'acier inoxydable ainsi que les autres métaux. Offertes en grains fin et moyen. Tiges de 3,2 mm.



Accessoires de ponçage

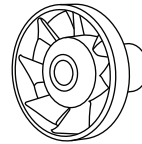
Les disques de ponçage, à grains fin, moyen et gros, sont adaptés au mandrin N° 402. Ils peuvent être utilisés pour pratiquement toute petite tâche de ponçage à exécuter, allant de la fabrication de maquettes à la finition de beaux meubles. Ces accessoires comprennent également le tambour ponceur, petit tambour qui s'insère dans l'outil rotatif et permet de façonner le bois, de lisser la fibre de verre, de poncer l'intérieur des courbes et autres endroits difficiles, et d'accomplir d'autres tâches de ponçage. Vous remplacez les bandes de ponçage sur le tambour à mesure qu'elles s'usent et perdent leur grain. Les bandes sont offertes en grains fin, moyen et gros. Les disques lamellaires meulent et polissent

les surfaces plates ou à contours. Ils peuvent être utilisés le plus efficacement possible en tant que ponceuses de finition après avoir procédé à un ponçage de surface et à une extraction de matériaux plus intensifs. On peut trouver des disques lamellaires à grain fin et à gros grain. Les buffles sont un excellent accessoire de finition pour le nettoyage et le ponçage léger. Ils sont d'un usage efficace sur le métal, le verre, le bois, l'aluminium et le plastique. Les buffles à gros grain et à grain moyen sont vendus ensemble. Tous les buffles sont vendus individuellement. **Ne dépassez pas une vitesse de 15 000 tr/mn. Tiges de 3,2 mm.**



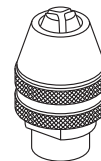
Meule

Utilisez pour ébavurer, enlever la rouille et la rectification à usage général. Utiliser avec le mandrin N° 402.



Ventilateur à douille

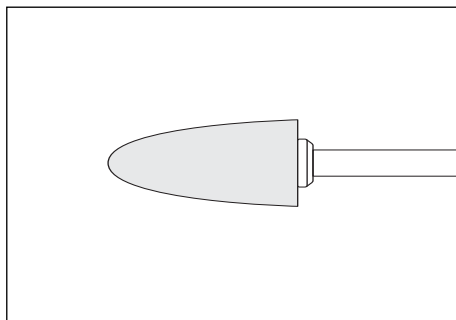
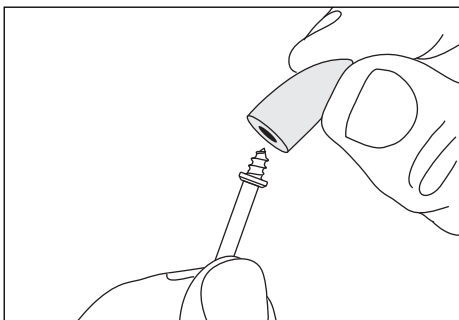
Cet appareil de soufflerie chasse la poussière pour améliorer la visibilité autour de l'ouvrage. Idéal pour les opérations de ponçage, de gravure et de sculpture. N'utilisez pas cet appareil pour arrêter ou ralentir l'outil. Ne mettez pas les doigts ou l'ouvrage en contact avec cet appareil de soufflerie pendant qu'il est en marche.



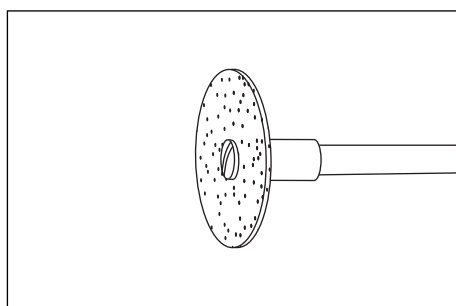
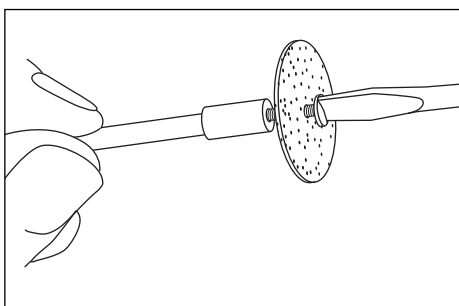
Mandrin Dremel

Ce mandrin vous permet de changer rapidement et facilement d'accessoires sur des outils rotatifs Dremel sans avoir besoin de changer de douille. Compatible avec les accessoires ayant des tiges de diamètre compris entre 1/32 po et 1/8 po. Lisez le mode d'emploi. Insérez et serrez la tige de l'accessoire de façon sécurisée à l'intérieur des mâchoires du mandrin.

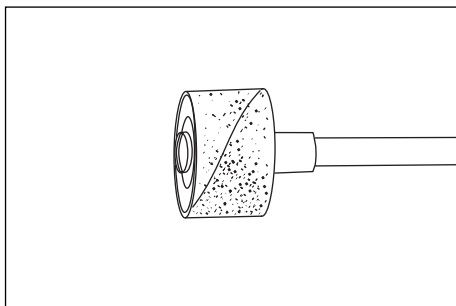
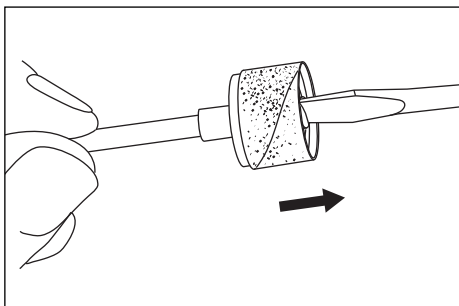
Remplacement des accessoires du mandrin de la vis



Le mandrin N° 401 s'emploie avec les meules et l'embout de polissage en feutre. Insérez l'embout sur la vis soigneusement. L'embout en feutre doit descendre droit sur le mandrin de la vis, et il doit être tourné complètement jusqu'à la douille.



Le mandrin N° 402 possède une petite vis à son extrémité, et cette vis est utilisée avec les patins de ponçage.



Pour remplacer une bande sur la **ponceuse à tambour**, desserrez la vis sans la retirer pour contracter le tambour, puis faites glisser la vieille bande à l'extérieur. Faites glisser la nouvelle bande de ponçage sur la ponceuse, puis donnez de l'expansion au tambour en serrant à nouveau la vis.

⚠ AVERTISSEMENT Avant chaque usage, vérifiez pour vous assurer que tous les composants sont assemblés sur la tige de l'accessoire et que le tambour est suffisamment étendu pour fixer solidement la bande durant l'utilisation. Si la bande de ponçage est lâche sur le tambour durant le fonctionnement, elle peut être projetée et vous frapper ou frapper les personnes présentes.

Mode d'emploi du mandrin EZ Lock™

Le mandrin EZ Lock™ N° EZ402 a un manchon à ressort et est utilisé avec des disques à poncer, des tampons abrasifs et des toiles de polissage.

⚠ AVERTISSEMENT Assurez-vous toujours que l'outil rotatif est dans la position Arrêt (hors tension) et débranchez la fiche de la prise de courant ou le bloc-piles de l'outil avant de changer des accessoires. De telles mesures de sécurité préventives réduisent le risque de déclenchement accidentel de l'outil électrique.

Pour charger l'accessoire :

1. Placez le mandrin EZ Lock™ 1 dans la douille aussi profondément que possible, et serrez l'écrou de fixation ou le mandrin Dremel (Fig. A1).

Remarque : Il existe une entretoise bleue qui reposera sur l'écrou de fixation de la douille et réglera ainsi le mandrin à la profondeur appropriée. En cas d'utilisation avec un mandrin Dremel, faites sortir légèrement le mandrin avant de serrer.

2. Tirez le manchon à ressort 2 en direction de l'outil, d'une main et tenez-le dans cette position. Vous pouvez caler l'outil sur le corps ou sur la table de travail pour augmenter la force disponible (Fig. A2).
3. De l'autre main, alignez l'interface à nœud papillon 4 sur le mandrin de façon que l'interface à nœud papillon en métal 5 soit au fond de l'accessoire 6 (Fig. A2).
4. Placez l'accessoire sur le mandrin jusqu'à un point situé juste en dessous du nœud papillon sur le mandrin 4 et tournez sur 90 degrés jusqu'à ce que l'interface à nœud papillon 5 sur l'accessoire 6 soit aligné sur le manchon 3. L'accessoire 6 devrait alors se bloquer en place (Fig. A3).

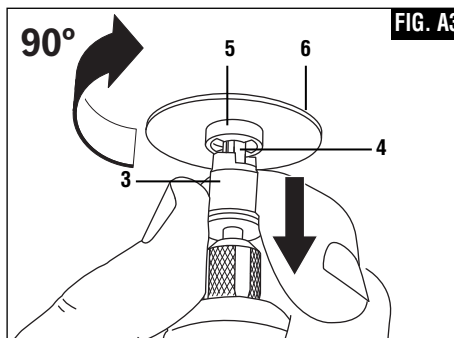
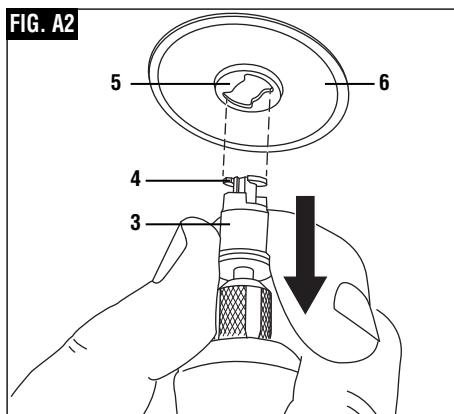
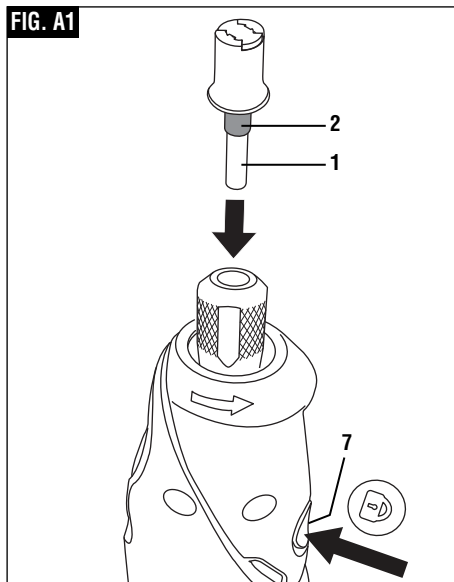
⚠ AVERTISSEMENT Un placement incorrect de l'accessoire dans le mandrin pourrait causer des blessures corporelles ou des dommages aux biens. Pour vérifier que le placement est correct, tenez le bouton de blocage de l'arbre 7 et faites tourner l'accessoire 6. L'accessoire 6 ne pourra plus tourner sur le mandrin.

Pour retirer l'accessoire :

1. Tirez le manchon à ressort 3 VERS LE BAS, en direction de l'outil, d'une main (Fig. A3).
2. Tenez le manchon 3 enfoncé tout en faisant tourner l'accessoire 6 sur 90 degrés (Fig. A3).
3. Retirez l'accessoire 6 (Fig. A3).

Pendant l'utilisation

Évitez d'endommager le mandrin EZ lock™ en ne le laissant pas entrer en contact avec l'ouvrage.



Mode d'emploi du mandrin EZ Drum™

Le mandrin EZ Drum™ N° EZ407SA a un manchon à ressort et est utilisé avec des bandes de ponçage.

⚠ AVERTISSEMENT Assurez-vous toujours que l'outil rotatif est dans la position Arrêt (« OFF ») et débranchez la fiche de la prise de courant ou le bloc-piles de l'outil avant de changer des accessoires. Ces mesures de sécurité préventive réduisent le risque d'une mise en marche accidentelle de l'outil.

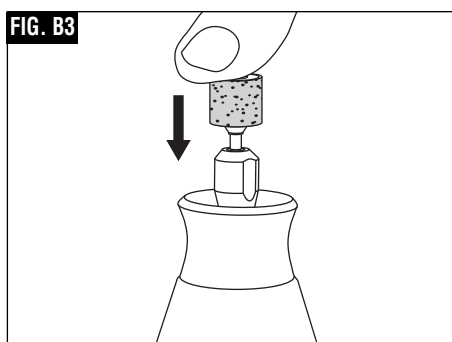
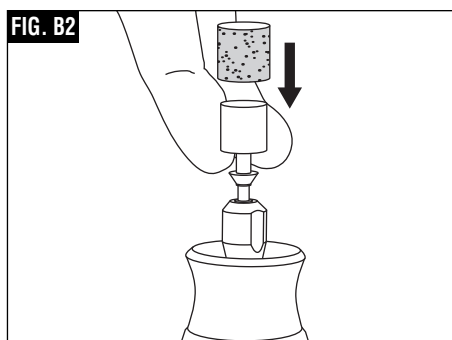
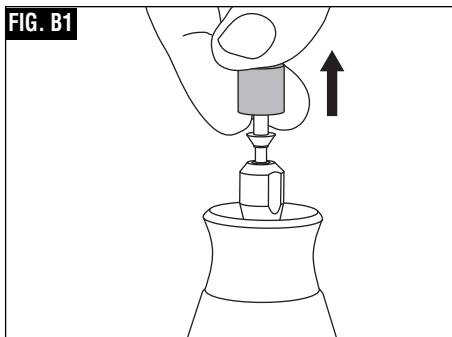
Assurez-vous toujours que l'accessoire est bien en place à l'intérieur du mandrin avant de commencer à l'utiliser. Un placement incorrect de l'accessoire dans le mandrin pourrait causer des blessures corporelles ou des dommages aux biens.

Pour charger l'accessoire :

1. Comme indiqué, placez deux doigts sous le mandrin et tirez fermement vers le haut. Ceci placera l'EZ Drum™ dans la position « déverrouillée » (Fig. B1).
2. En gardant vos deux doigts sous le mandrin, faites glisser la bande de ponçage vers le bas jusqu'à ce que le mandrin bleu soit couvert entièrement (Fig. B2).
3. Pour revenir à la position « verrouillée », appuyez fermement sur la partie supérieure du mandrin (Fig. B3).

Retrait de la bande de ponçage sur le mandrin :

1. Placez deux doigts sous le mandrin et tirez fermement vers le haut. Ceci placera l'EZ Drum™ dans la position « déverrouillée » (Fig. B1).
2. La bande de ponçage glissera maintenant facilement hors du mandrin (Fig. B2). Ne compressez pas la bande de ponçage quand vous la retirez du mandrin EZ Drum™, car la bande en caoutchouc pourrait tomber du mandrin et ne plus être utilisable.



Garantie limitée de Dremel®

Votre produit Dremel est garanti contre les vices de matériau ou de façon pendant un délai de deux ans à compter de la date d'achat. Dans l'hypothèse où le produit ne se conformerait pas à cette garantie écrite, veuillez procéder de la façon suivante :

1. NE RAPPORTEZ PAS votre produit à l'endroit où vous l'avez acheté.
2. Emballez avec soin le produit seul, sans aucun autre article, et renvoyez-le, en port payé, accompagné :
 - A. d'une copie de votre justificatif d'achat daté (veuillez en garder une copie pour vous-même)
 - B. d'une déclaration écrite concernant la nature du problème
 - C. d'une indication de vos nom, adresse et numéro de téléphone, à l'adresse suivante :

ÉTATS-UNIS

Dremel Service Center
4915 21st Street
Racine, WI 53406

OU

CANADA

Giles Tool Agency
47 Granger Ave
Scarborough, Ontario Canada
M1K 3K9
1-416-287-3000

À L'EXTÉRIEUR DU TERRITOIRE CONTINENTAL DES ÉTATS-UNIS

Consultez votre distributeur local ou écrivez à Dremel : 4915 21st Street Racine, WI 53406

Nous vous recommandons d'assurer le paquet contre la perte ou les dommages en cours de route dont nous ne pouvons assumer la responsabilité.

Cette garantie n'est offerte qu'à l'acheteur enregistré d'origine. LES DOMMAGES AU PRODUIT RÉSULTANT DE MANIPULATIONS ABUSIVES, D'ACCIDENTS, D'USAGES ABUSIFS, DE NÉGLIGENCE, DE RÉPARATIONS OU D'ALTÉRATIONS NON AUTORISÉES, D'UTILISATION D'ACCESSOIRES NON APPROUVÉS OU D'AUTRES CAUSES NON LIÉES AU MATÉRIAU OU À LA FAÇON NE SONT PAS COUVERTS PAR CETTE GARANTIE.

Aucun employé, mandataire, vendeur ou autre n'est autorisé à accorder des garanties au nom de Dremel. Si l'inspection effectuée par Dremel révèle que le problème a été causé par un problème de matériau ou de façon dans les limites de la garantie, Dremel réparera ou remplacera le produit gratuitement et renverra le produit en port payé. Si elles peuvent être effectuées, les réparations rendues nécessaires par l'usure normale ou un usage abusif, ou les réparations du produit une fois la période de garantie expirée, seront facturées aux tarifs réguliers de l'usine.

DREMEL N'ACCORDE AUCUNE AUTRE GARANTIE DE QUELQUE NATURE QUE CE SOIT, EXPLICITE OU IMPLICITE, ET TOUTES LES GARANTIES IMPLICITES DE COMMERCIALISATION ET D'APTITUDE À UN USAGE PARTICULIER EN PLUS DE L'OBLIGATION SUSVISÉE SONT REJETÉES PAR LES PRÉSENTES PAR DREMEL ET EXCLUES DE CETTE GARANTIE LIMITÉE.

Cette garantie vous accorde certains droits précis, et vous pouvez également avoir d'autres droits qui varient d'un endroit à un autre. L'obligation du garant se limite à réparer ou remplacer le produit. Le garant n'est responsable d'aucun dommage accessoire ou indirect attribuable à de telles défaillances alléguées. Certaines juridictions ne permettent pas l'exclusion ou la limitation des dommages accessoires ou indirects ; il se peut donc que les limitations ou l'exclusion qui précède ne s'appliquent pas à vous.





En ce qui concerne les prix et la façon de vous prévaloir de la garantie sur le territoire continental des États-Unis, mettez-vous en contact avec votre distributeur Dremel local.

Exportado por: © Robert Bosch Tool Corporation Mt. Prospect, IL 60056 -2230, E.U.A.

Importado a México por: Robert Bosch, S. de R.L. de C.V.
Calle Robert Bosch No. 405 - 50071 Toluca, Edo. de Méx. - México
Tel. 052 (722) 279 2300 ext 1160 / Fax. 052 (722) 216-6656

Símbolos de seguridad

Las definiciones que aparecen a continuación describen el nivel de gravedad de cada palabra de señal de seguridad. Por favor, lea el manual y preste atención a estos símbolos.

	<p>Éste es el símbolo de alerta de seguridad. Se utiliza para alertarle a usted de posibles peligros de lesiones corporales. Obedezca todos los mensajes de seguridad que sigan a este símbolo para evitar posibles lesiones o muerte.</p>
	<p>PELIGRO indica una situación peligrosa que, si no se evita, causará la muerte o lesiones graves.</p>
	<p>ADVERTENCIA indica una situación peligrosa que, si no se evita, podría causar la muerte o lesiones graves.</p>
	<p>PRECAUCIÓN, cuando se utiliza con el símbolo de alerta de seguridad, indica una situación peligrosa que, si no se evita, causará lesiones leves o moderadas.</p>

Advertencias generales de seguridad para herramientas mecánicas

ADVERTENCIA Lea todas las advertencias de seguridad y todas las instrucciones. Si no se siguen las advertencias e instrucciones, el resultado podría ser sacudidas eléctricas, incendio y/o lesiones graves.

GUARDE TODAS LAS ADVERTENCIAS E INSTRUCCIONES PARA REFERENCIA FUTURA

La expresión "herramienta mecánica" en las advertencias se refiere a su herramienta mecánica alimentada por la red eléctrica (herramienta alámbrica) o su herramienta mecánica alimentada por baterías (herramienta inalámbrica).

Seguridad del área de trabajo

Mantenga el área de trabajo limpia y bien iluminada.

Las áreas desordenadas u oscuras invitan a que se produzcan accidentes.

No utilice herramientas mecánicas en atmósferas explosivas, como por ejemplo en presencia de líquidos, gases o polvos inflamables. Las herramientas mecánicas generan chispas que pueden incendiar el polvo o los vapores.

Mantenga alejados a los niños y a las personas que estén presentes mientras esté utilizando una herramienta mecánica. Las distracciones pueden hacerle perder el control de la herramienta.

Seguridad eléctrica

Los enchufes de las herramientas mecánicas deben coincidir con el tomacorriente. No modifique nunca el enchufe de ningún modo. No use enchufes adaptadores con herramientas mecánicas conectadas a tierra (puestas a tierra). Los enchufes no modificados y los tomacorrientes coincidentes reducirán el riesgo de sacudidas eléctricas.

Evite el contacto del cuerpo con las superficies conectadas o puestas a tierra, tales como tuberías,

radiadores, estufas y refrigeradores. Hay un aumento del riesgo de sacudidas eléctricas si el cuerpo del operador se conecta o pone a tierra.

No exponga las herramientas mecánicas a la lluvia o a condiciones mojadas. La entrada de agua en una herramienta mecánica aumentará el riesgo de que se produzcan sacudidas eléctricas.

No maltrate el cordón de energía. No use nunca el cordón para transportar la herramienta mecánica, tirar de ella o desenchufarla. Mantenga el cordón alejado del calor, el aceite, los bordes afilados o las piezas móviles. Los cordones dañados o enganchados aumentan el riesgo de que se produzcan sacudidas eléctricas.

Cuando utilice una herramienta mecánica en el exterior, use un cordón de extensión adecuado para uso a la intemperie. La utilización de un cordón adecuado para uso a la intemperie reduce el riesgo de que se produzcan sacudidas eléctricas.

Si es inevitable utilizar una herramienta mecánica en un lugar húmedo, utilice una fuente de energía protegida por un interruptor de circuito accionado por corriente de pérdida a tierra (GFCI). El uso de un GFCI reduce el riesgo de sacudidas eléctricas.

Seguridad personal

Manténgase alerta, fíjese en lo que está haciendo y use el sentido común cuando esté utilizando una herramienta mecánica. No use una herramienta mecánica cuando esté cansado o bajo la influencia de drogas, alcohol o medicamentos. Un momento de distracción mientras esté utilizando herramientas mecánicas podría causar lesiones corporales graves.

Use equipo de protección personal. Use siempre protección de los ojos. El equipo de protección, como por ejemplo una máscara antipolvo, calzado de seguridad antideslizante, casco o protección de oídos, utilizado para las condiciones apropiadas, reducirá las lesiones corporales.

Evite el arranque accidental. Asegúrese de que el interruptor esté en la posición de apagado antes de conectar la herramienta a la fuente de energía y / o al paquete de batería, levantar la herramienta o transportarla. Transportar herramientas mecánicas con un dedo en el interruptor o encender herramientas mecánicas que tengan el interruptor en la posición de encendido invita a que se produzcan accidentes.

Quite todas las llaves de ajuste o de tuerca antes de encender la herramienta mecánica. Una llave de tuerca o de ajuste que se deje colocada en una pieza giratoria de la herramienta mecánica podría causar lesiones corporales.

No intente alcanzar demasiado lejos. Mantenga un apoyo de los pies y un equilibrio apropiados en todo momento. Esto permite controlar mejor la herramienta mecánica en situaciones inesperadas.

Vístase adecuadamente. No use ropa holgada ni alhajas holgadas. Mantenga el pelo, la ropa y los guantes alejados de las piezas móviles. La ropa holgada, las alhajas holgadas o el pelo largo pueden quedar atrapados en las piezas móviles.

Si se proporcionan dispositivos para la conexión de instalaciones de extracción y recolección de polvo, asegúrese de que dichas instalaciones estén conectadas y se usen correctamente. El uso de dispositivos de recolección de polvo puede reducir los peligros relacionados con el polvo.

Uso y cuidado de las herramientas mecánicas

No fuerce la herramienta mecánica. Use la herramienta mecánica correcta para la aplicación que

desea realizar. La herramienta mecánica correcta hará el trabajo mejor y con más seguridad a la capacidad nominal para la que fue diseñada.

No use la herramienta mecánica si el interruptor no la enciende y apaga. Toda herramienta mecánica que no se pueda controlar con el interruptor es peligrosa y debe ser reparada.

Desconecte el enchufe de la fuente de energía y/o el paquete de batería de la herramienta mecánica antes de hacer cualquier ajuste, cambiar accesorios o almacenar herramientas mecánicas. Dichas medidas preventivas de seguridad reducen el riesgo de arrancar accidentalmente la herramienta mecánica.

Guarde las herramientas que no esté usando fuera del alcance de los niños y no deje que personas que no estén familiarizadas con la herramienta mecánica o con estas instrucciones utilicen la herramienta. Las herramientas mecánicas son peligrosas en manos de usuarios que no hayan recibido capacitación.

Mantenga las herramientas mecánicas. Compruebe si hay piezas móviles desalineadas o que se atoran, si hay piezas rotas y si existe cualquier otra situación que podría afectar el funcionamiento de la herramienta mecánica. Si la herramienta mecánica está dañada, haga que la reparen antes de usarla. Muchos accidentes son causados por herramientas mecánicas mantenidas deficientemente.

Mantenga las herramientas de corte afiladas y limpias. Es menos probable que las herramientas de corte mantenidas apropiadamente, con bordes de corte afilados, se atoren, y dichas herramientas son más fáciles de controlar.

Utilice la herramienta mecánica, los accesorios, las brocas de la herramienta, etc., de acuerdo con estas instrucciones, teniendo en cuenta las condiciones de trabajo y el trabajo que se vaya a realizar. El uso de la herramienta mecánica para operaciones distintas a aquéllas para las que fue diseñada podría causar una situación peligrosa.

Servicio de ajustes y reparaciones

Haga que su herramienta mecánica reciba servicio de un técnico de reparaciones calificado, utilizando únicamente piezas de repuesto idénticas. Esto asegurará que se mantenga la seguridad de la herramienta mecánica.

Normas de seguridad para herramientas giratorias

Advertencias de seguridad comunes para las operaciones de amolado, lijado, cepillado con cepillo de alambre, pulido, tallado o tronzado con ruedas abrasivas:

Esta herramienta eléctrica está diseñada para funcionar como amoladora, lijadora, cepillo de alambre, pulidora, talladora o herramienta tronzadora. Lea

todas las advertencias de seguridad, instrucciones, ilustraciones y especificaciones suministradas con esta herramienta eléctrica. Si no se siguen todas las instrucciones que se indican a continuación, el resultado podría ser descargas eléctricas, incendio y/o lesiones graves.

No utilice accesorios que no estén diseñados y recomendados específicamente por el fabricante de la

Normas de seguridad para herramientas giratorias - (cont.)

herramienta. Sólo porque el accesorio se pueda acoplar a su herramienta eléctrica, eso no garantiza un funcionamiento seguro.

La VELOCIDAD NOMINAL de los accesorios debe ser por lo menos igual al ajuste de velocidad de funcionamiento marcado en la herramienta eléctrica. Los accesorios que funcionen más rápidamente que su VELOCIDAD NOMINAL se pueden romper y ser lanzados al aire.

El diámetro exterior y el grosor de su accesorio deben estar dentro de los límites de la capacidad nominal de su herramienta eléctrica. Los accesorios de tamaño incorrecto no se pueden controlar adecuadamente.

El tamaño del eje portaherramienta de las ruedas, los tambores de lijar o cualquier otro accesorio debe encajar apropiadamente en el husillo o el portaherramienta de la herramienta eléctrica. Los accesorios que no coincidan con los herrajes de montaje de la herramienta eléctrica funcionarán desequilibrados, vibrarán excesivamente y podrán causar pérdida de control.

Las RUEDAS MONTADAS en mandrín, los tambores de lijar, los cortadores u otros accesorios se deben insertar completamente en el portaherramienta o el mandril. Si el mandrín no está suficientemente sujeto y/o el saliente de la rueda es demasiado largo, la RUEDA MONTADA se podría aflojar y ser eyectada a alta velocidad.

No utilice un accesorio que esté dañado. Antes de cada uso, inspeccione el accesorio, como por ejemplo las ruedas abrasivas para comprobar si tienen picaduras y grietas, el tambor de lijar para revisar si tiene grietas, desgarraduras o desgaste excesivo, y el cepillo de alambre para comprobar si hay alambres flojos o agrietados. Si la herramienta eléctrica o el accesorio se cae, realice una inspección para comprobar si se ha dañado o instale un accesorio que no esté dañado. Después de inspeccionar e instalar un accesorio, posicione usted y posicione a las personas que estén presentes alejados del plano del accesorio que rota y haga funcionar la herramienta eléctrica a la máxima velocidad sin carga durante un minuto. Normalmente, los accesorios dañados se romperán en pedazos durante este tiempo de prueba.

Use equipo de protección personal. Dependiendo de la aplicación, use una careta, anteojos de seguridad o gafas de seguridad. Según sea apropiado, use una máscara antipolvo, protectores de la audición, guantes y un delantal de taller capaz de detener pequeños fragmentos de abrasivo o de la pieza de trabajo. La protección de los ojos debe ser capaz de detener los residuos que salgan despedidos al ser generados por diversas operaciones. La máscara antipolvo o el respirador debe ser capaz de impedir mediante filtración el paso de las partículas generadas por la operación que usted vaya a realizar. La exposición prolongada a ruido de alta intensidad podría causar pérdida de audición.

Mantenga a las personas que estén presentes a una distancia segura del área de trabajo. Toda persona que entre al área de trabajo debe usar equipo de protección personal. Los fragmentos de la pieza de trabajo o de un accesorio roto pueden salir despedidos y causar lesiones más allá del área de operación inmediata.

Agarre la herramienta eléctrica solamente por las superficies de agarre con aislamiento cuando realice una operación en la que el accesorio de corte pueda entrar en contacto con cables ocultos o con su propio cable de alimentación. Si el accesorio de corte entra en contacto con un cable con corriente, el resultado podría ser que las partes metálicas de la herramienta que están al descubierto lleven corriente, con lo cual podrían causarle descargas eléctricas al operador.

Sostenga siempre firmemente la herramienta en la(s) mano(s) durante el arranque. La fuerza de torsión de reacción del motor, a medida que acelera hasta la máxima velocidad, puede hacer que la herramienta se tuerza.

Use abrazaderas para soportar la pieza de trabajo siempre que sea práctico. No sostenga nunca una pieza de trabajo pequeña en una mano y la herramienta en la otra mano mientras esté en uso. Si sujeta con una abrazadera una pieza de trabajo pequeña, podrá usar la(s) mano(s) para controlar la herramienta. El material redondo, como las varillas de unión, las tuberías o los tubos, tiene tendencia a rodar mientras está siendo cortado y puede hacer que la broca se atore o salte hacia usted.

Posicione el cable de alimentación lejos del accesorio que gira. Si usted pierde el control, es posible que el cable de alimentación resulte cortado o enganchado y puede que la mano o el brazo sean jalados hasta el accesorio que gira.

No deje nunca la herramienta eléctrica en ningún lugar hasta que el accesorio se haya detenido por completo. El accesorio que gira se puede enganchar en la superficie y jalar la herramienta eléctrica hasta hacer que usted pierda el control de la misma.

Después de cambiar las brocas o hacer cualquier ajuste, asegúrese de que la tuerca del portaherramienta, el mandril o cualquier otro dispositivo de ajuste estén firmemente apretados. Los dispositivos de ajuste flojos pueden cambiar de posición inesperadamente, causando pérdida de control, y los componente que roten estando flojos serán arrojados violentamente.

No tenga la herramienta eléctrica en marcha mientras la lleva junto a usted. Un contacto accidental con el accesorio que gira podría engancharle la ropa y jalar el accesorio hasta su cuerpo.

Limpie regularmente las aberturas de ventilación de la herramienta eléctrica. El ventilador del motor absorberá el polvo en el interior de la carcasa y la acumulación excesiva de metal en polvo podría causar peligros eléctricos.

Normas de seguridad para herramientas giratorias - (cont.)

No utilice la herramienta eléctrica cerca de materiales inflamables. Las chispas podrían incendiar estos materiales.

No utilice accesorios que requieran refrigerantes líquidos. El uso de agua u otros refrigerantes líquidos podría causar electrocución o descargas eléctricas.

Utilice la herramienta únicamente en un área bien ventilada. Al trabajar en un entorno seguro se reduce el riesgo de lesiones.

Deje suficiente espacio, por lo menos 6 pulgadas, entre la mano y la broca que gira. No ponga la mano en el área de la broca que gira. Puede que la proximidad de la mano a la broca que gira no siempre sea obvia.

No toque la broca ni el portaherramienta después de usar la herramienta. Después del uso, la broca y el portaherramienta están demasiado calientes para tocarlos con las manos desnudas.

No altere ni utilice incorrectamente la herramienta. Cualquier alteración o modificación es un uso incorrecto y es posible que cause lesiones corporales graves.

Este producto no está diseñado para utilizarse como taladro dental, en aplicaciones médicas en humanos o en veterinaria. El resultado podrá ser lesiones graves.

Retroceso y advertencias relacionadas

El retroceso es una reacción repentina a una rueda, una almohadilla de refuerzo, un cepillo o cualquier otro accesorio que esté rotando y que resulte pellizcado o enganchado. El pellizcamiento o el enganche causan una parada rápida del accesorio que rota, lo cual a su vez hace que la herramienta eléctrica descontrolada sea forzada en sentido opuesto al de rotación del accesorio.

Por ejemplo, si una rueda abrasiva es enganchada o pellizcada por la pieza de trabajo, el borde de la rueda que esté entrando en el punto de pellizcamiento puede penetrar en la superficie del material y hacer que la rueda se salga del corte o experimente retroceso. La rueda puede saltar hacia el operador o alejándose de éste, dependiendo del sentido del movimiento de dicha rueda en el punto de pellizcamiento. Las ruedas abrasivas también se pueden romper en estas condiciones.

El retroceso es el resultado de la utilización indebida de la herramienta eléctrica y/o de procedimientos o condiciones de operación incorrectos, y se puede evitar tomando las precauciones apropiadas tal y como se indica a continuación.

Mantenga un agarre firme de la herramienta eléctrica y posicione el cuerpo y el brazo de manera que le permitan resistir las fuerzas de retroceso. El operador puede controlar las fuerzas de retroceso, si se toman las precauciones adecuadas.

Tenga cuidado especial cuando trabaje en esquinas, bordes afilados, etc. Evite hacer rebotar y enganchar el accesorio. Las esquinas, los bordes afilados o los rebotes tienen tendencia enganchar el accesorio que rota

y causar pérdida de control o retroceso.

No instale una hoja de sierra dentada. Dichas hojas crean retroceso y pérdida de control frecuentes.

Haga avanzar siempre la broca hacia el interior del material en el mismo sentido en el que el borde de corte esté saliendo del material (que es el mismo sentido en que las virutas son arrojadas). Si se hace avanzar la herramienta en sentido incorrecto, el resultado será que el borde de corte de la broca se saldrá de la pieza de trabajo y jalará la herramienta en el sentido de este avance.

Cuando utilice limas rotativas, ruedas tronzadoras, cortadores de alta velocidad o cortadores de carburo de tungsteno, tenga siempre la pieza de trabajo sujeta firmemente con una abrazadera. Estas ruedas se engancharán si se inclinan ligeramente en la ranura y pueden experimentar retroceso. Cuando una rueda tronzadora se engancha, generalmente la propia rueda se rompe. Cuando una lima rotativa, un cortador de alta velocidad o un cortador de carburo de tungsteno se engancha, puede saltar de la ranura y usted podría perder el control de la herramienta.

Advertencias de seguridad específicas para las operaciones de amolado y tronzado con ruedas abrasivas:

Utilice únicamente los tipos de rueda que estén recomendados para su herramienta eléctrica y sólo para las aplicaciones recomendadas. Por ejemplo: no amole con el lado de una rueda tronzadora. Las ruedas tronzadoras abrasivas están diseñadas para realizar amolado periférico; la aplicación de fuerzas laterales a estas ruedas puede hacer que se rompan en pedazos.

Para conos y tapones abrasivos roscados, utilice únicamente mandrines de rueda no dañados, con una pestaña de resalto sin relieve, que tengan el tamaño y la longitud correctos. Los mandrines apropiados reducirán la posibilidad de rotura.

No atore una rueda tronzadora ni aplique una presión excesiva. No intente hacer un corte de profundidad excesiva. Si la rueda se somete a un esfuerzo excesivo, se aumentan la carga y la susceptibilidad a que la rueda se tuerza o se enganche en el corte, así como la posibilidad de retroceso o rotura de la rueda.

No posicione la mano en línea con la rueda que rota ni detrás de ella. Cuando la rueda, en el punto de operación, se esté moviendo alejándose de la mano, el posible retroceso podrá impulsar la rueda que gira y la herramienta eléctrica directamente hacia usted.

Cuando la rueda se esté pellizcando o enganchando, o cuando se interrumpa un corte por cualquier motivo, apague la herramienta eléctrica y manténgala inmóvil hasta que la rueda se detenga por completo. No intente nunca retirar la rueda tronzadora del corte mientras la rueda esté en movimiento, ya que de lo contrario podría ocurrir retroceso. Investigue y tome

Normas de seguridad para herramientas giratorias - (cont.)

medidas correctivas para eliminar la causa de que la rueda se pellizque o se enganche.

No reinicie la operación de corte en la pieza de trabajo. Deje que la rueda alcance la máxima velocidad y reingrese cuidadosamente en el corte. La rueda podría atorarse, desviarse o experimentar retroceso si la herramienta eléctrica es rearrancada en la pieza de trabajo.

Soporte los paneles o cualquier pieza de trabajo extragrande para minimizar el riesgo de que la rueda se pellizque y experimente retroceso. Las piezas de trabajo grandes tienden a combarse bajo su propio peso. Se deben colocar soportes debajo de la pieza de trabajo cerca de la línea de corte y cerca del borde de la pieza de trabajo a ambos lados de la rueda.

Tenga precaución extra cuando haga un corte de bolsillo en paredes existentes u otras áreas ciegas. La rueda que sobresale puede cortar tuberías de gas o agua, cables eléctricos u objetos que pueden causar retroceso.

Advertencias de seguridad específicas para las operaciones de cepillado con cepillo de alambre:

Tenga presente que el cepillo lanza cerdas de alambre incluso durante la operación ordinaria. No someta los alambres a un esfuerzo excesivo aplicando una carga excesiva al cepillo. Las cerdas de alambre pueden penetrar fácilmente en la ropa ligera y/o la piel.

Deje que los cepillos giren a la velocidad de funcionamiento durante por lo menos un minuto antes de usarlos. Durante este tiempo nadie debe ubicarse delante del cepillo ni en línea con él. Las cerdas o los alambres que estén flojos se lanzarán durante el tiempo de asentamiento.

Dirija la descarga del cepillo de alambre que gira alejándola de usted. Es posible que se lancen partículas pequeñas y fragmentos diminutos de alambre a alta velocidad durante el uso de estos cepillos y puede que dichas partículas y fragmentos se incrusten en la piel.

Advertencias de seguridad adicionales

⚠ ADVERTENCIA No utilice una broca de fresadora con el mandril Dremel. Es posible que la broca se convierta en un proyectil y cause lesiones graves.

Un GFCI y los dispositivos de protección personal, como guantes de goma y calzado de goma de electricista, mejorarán más su seguridad personal.

Utilice únicamente la fuente de alimentación número 2610Z09738 suministrada con la herramienta.

No use herramientas mecánicas con capacidad nominal solamente para CA con una fuente de energía de CC. Aunque pueda parecer que la herramienta funciona correctamente, es probable que los componentes eléctricos de la herramienta con capacidad nominal para CA fallen y creen un peligro para el operador.

Mantenga los mangos secos, limpios y libres de aceite y grasa. Las manos resbalosas no pueden controlar de modo seguro la herramienta mecánica.

Use abrazaderas u otro modo práctico de sujetar y soportar la pieza de trabajo en una plataforma estable. Si se sujeta la pieza de trabajo con la mano o contra el cuerpo, se crea una situación inestable que podría causar pérdida de control.

Desarrolle un programa de mantenimiento periódico de la herramienta. Cuando limpie una herramienta, tenga cuidado de no desmontar ninguna de sus partes, ya que los cables internos podrían reubicarse

incorrectamente o pellizcarse, o los resortes de retorno de los protectores de seguridad podrían montarse incorrectamente. Ciertos agentes de limpieza, tales como gasolina, tetracloruro de carbono, amoníaco, etc., podrían dañar las piezas de plástico.

Riesgo de lesiones para el usuario. El cordón de energía debe recibir servicio de ajustes y reparaciones solamente por un Centro de servicio de fábrica Dremel.



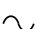

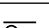
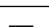
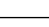
⚠ ADVERTENCIA Cierta polvos generados por el lijado, aserrado, amolado y taladrado mecánicos, y por otras actividades de construcción, contiene agentes químicos que se sabe que causan cáncer, defectos de nacimiento u otros daños sobre la reproducción. Algunos ejemplos de estos agentes químicos son:

- Plomo de pinturas a base de plomo,
- Sílice cristalina de ladrillos y cemento y otros productos de mampostería, y
- Arsénico y cromo de madera tratada químicamente.

Su riesgo por causa de estas exposiciones varía, dependiendo de con cuánta frecuencia realice este tipo de trabajo. Para reducir su exposición a estos agentes químicos: trabaje en un área bien ventilada y trabaje con equipo de seguridad aprobado, como por ejemplo máscaras antipolvo que estén diseñadas especialmente para impedir mediante filtración el paso de partículas microscópicas.

Símbolos

IMPORTANTE: Es posible que algunos de los símbolos siguientes se usen en su herramienta. Por favor, estúdielos y aprenda su significado. La interpretación adecuada de estos símbolos le permitirá utilizar la herramienta mejor y con más seguridad.

Símbolo	Désignation / Explication
V	Volt (tensión)
A	Ampere (corriente)
Hz	Hertz (frecuencia, ciclos por segundo)
W	Watt (potencia)
kg	Kilogramo (peso)
min	Minuto (tiempo)
s	Segundo (tiempo)
∅	Diámetro (tamaño de las brocas taladradoras, muelas, etc)
n_0	Velocidad sin carga (velocidad rotacional sin carga)
n	Velocidad nominal (máxima velocidad obtenible)
.../min	Revoluciones o alternación por minuto (revoluciones, golpes, velocidad de superficie, órbitas, etc., por minuto)
0	Posición "off" (velocidad cero, par motor cero...)
1, 2, 3, ... I, II, III,	Graduaciones del selector (graduaciones de velocidad, par motor o posición. Un número más alto significa mayor velocidad)
	Selector infinitamente variable con apagado (la velocidad aumenta desde la graduación de 0)
	Flecha (Acción en la dirección de la flecha)
	Corriente alterna (tipo o una característica de corriente)
	Corriente continua (tipo o una característica de corriente)
	Corriente alterna o continua (tipo o una característica de corriente)
	Construcción de clase II (designa las herramientas de construcción con aislamiento doble)
	Terminal de toma de tierra (terminal de conexión a tierra)

Símbolos (continuación)

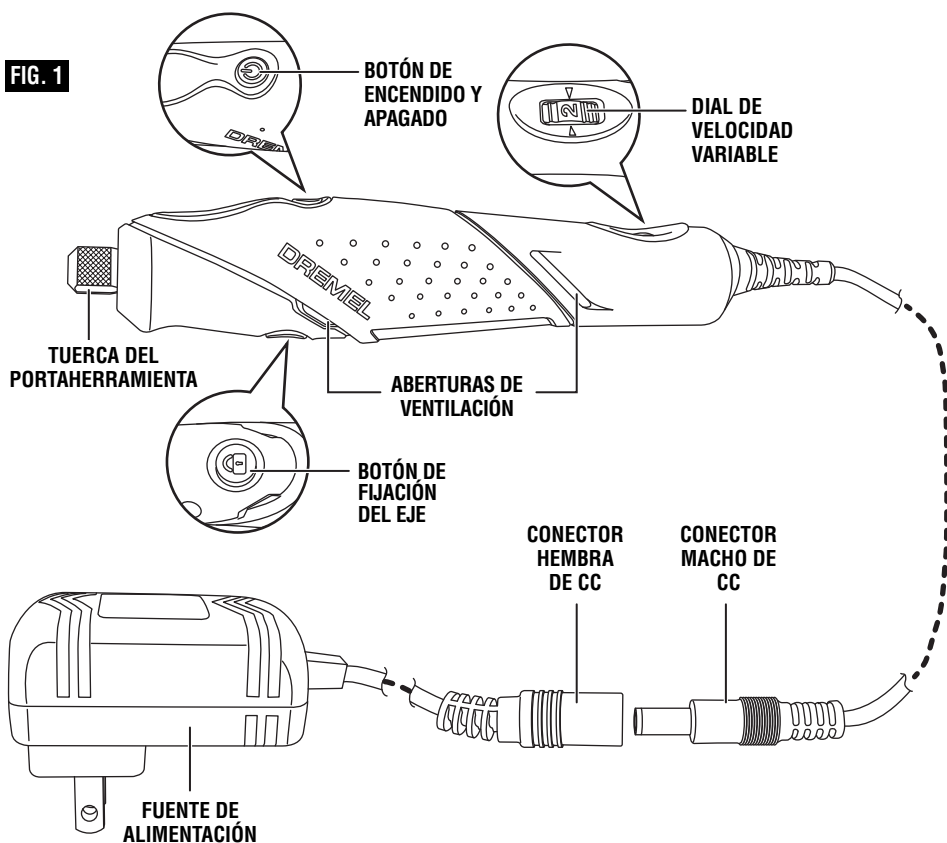
IMPORTANTE: Es posible que algunos de los símbolos siguientes se usen en su herramienta. Por favor, estúdielos y aprenda su significado. La interpretación adecuada de estos símbolos le permitirá utilizar la herramienta mejor y con más seguridad.

Símbolo	Designación/explicación
	Designa el programa de reciclaje de baterías de Li-ion.
	Designa el programa de reciclaje de baterías de Ni-Cd.
	Alerta al usuario para que lea el manual.
	Alerta al usuario para que use protección de los ojos.
	Este símbolo indica que esta herramienta está catalogada por Underwriters Laboratories.
	Este símbolo indica que este componente está reconocido por Underwriters Laboratories.
	Este símbolo indica que Underwriters Laboratories ha catalogado esta herramienta indicando que cumple con las normas estadounidenses y canadienses.
	Este símbolo indica que esta herramienta está catalogada por la Canadian Standards Association.
	Este símbolo indica que la Canadian Standards Association ha catalogado esta herramienta indicando que cumple con las normas estadounidenses y canadienses.
	Este símbolo indica que Intertek Testing Services ha catalogado esta herramienta indicando que cumple con las normas estadounidenses y canadienses.
	Este símbolo indica que esta herramienta cumple con la norma mexicana oficial (NOM).

Descripción funcional y especificaciones

⚠ ADVERTENCIA Desconecte el enchufe de la fuente de energía antes de realizar cualquier ensamblaje o ajuste, o cambiar accesorios. Estas medidas de seguridad preventivas reducen el riesgo de arrancar la herramienta accidentalmente.

Herramienta giratoria de alta velocidad modelo 2050



Número de modelo	2050
Potencia de entrada nominal	120V ~ 60Hz
Potencia de salida nominal	18V --- 0,5A
Velocidad nominal	n 5.000—22.000 /min
Capacidad del mandril	0,8 mm – 3,2 mm

Ensamblaje

PORTAHERRAMIENTAS

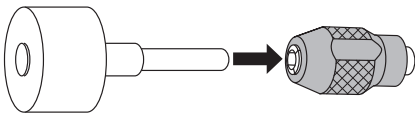
Hay portaherramientas de cuatro tamaños distintos (vea la ilustración) disponibles para la herramienta giratoria con objeto de acomodar diferentes tamaños de cuerpo. Para instalar un portaherramienta distinto, saque la tuerca del portaherramienta y quite el portaherramienta viejo. Introduzca el extremo no ranurado del portaherramienta en el agujero que se encuentra al final del eje de la herramienta. Vuelva a colocar la tuerca del portaherramienta en el eje.

PRECAUCIÓN Utilice siempre el portaherramienta que corresponda al tamaño del cuerpo del accesorio que usted piensa utilizar. Nunca intente introducir a la fuerza en un portaherramienta un cuerpo de diámetro más grande que el que pueda aceptar dicho portaherramienta.

Nota: La mayoría de los juegos de herramienta giratoria no incluyen los cuatro tamaños de portaherramienta

LIBERACIÓN DE PORTAHERRAMIENTAS ATORADOS

Es posible que un portaherramienta se atore dentro de la tuerca del portaherramienta, especialmente si dicha tuerca está apretada en la herramienta sin que haya una broca instalada en la misma. Si esto sucede, el portaherramienta se puede retirar de la tuerca del portaherramienta empujando el vástago de un accesorio hacia el interior del agujero de la tuerca del portaherramienta. Esto debería hacer que el portaherramienta salga de la tuerca del portaherramienta.

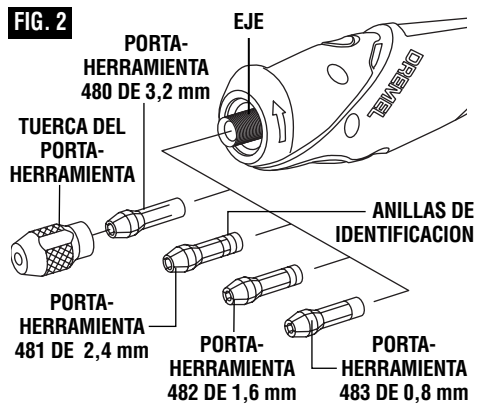


TUERCA DEL PORTAHERRAMIENTA

Para aflojar la tuerca, oprima primero el botón de fijación del eje y gire el eje a mano hasta que el cierre acople el eje, impidiendo así toda rotación posterior. La Dremel 2050 está equipada con un mecanismo de cierre rápido del portaherramienta.

PRECAUCIÓN No acople el cierre mientras la herramienta giratoria está en marcha.

Con el cierre del eje acoplado, utilice la llave de portaherramienta para aflojar la tuerca del portaherramienta en caso de que sea necesario. La tuerca del portaherramienta debe estar enroscada flojamente cuando se introduzca un accesorio. Cambie accesorios introduciendo el nuevo accesorio en el portaherramienta hasta donde se pueda para minimizar el descentramiento y el desequilibrio. Con el cierre del eje acoplado, utilice la llave de tuerca para el portaherramienta para apretar firmemente la tuerca del portaherramienta (Fig. 3). Evite apretar excesivamente la tuerca del portaherramienta cuando no haya una broca introducida.



CUADRO DE IDENTIFICACIÓN DE PORTAHERRAMIENTAS

Los tamaños de portaherramienta se pueden identificar por medio de las anillas que se encuentran en el extremo posterior del portaherramienta.

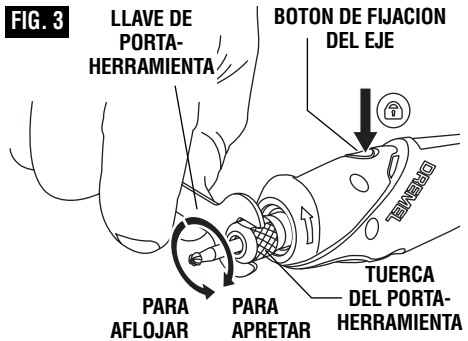
El portaherramienta de 0,8 mm tiene (1) anilla.

El portaherramienta de 1,6 mm tiene (2) anillas.

El portaherramienta de 2,4 mm tiene (3) anillas.

El portaherramienta de 3,2 mm no tiene anillas.

(incluido en la herramienta en la mayoría de los juegos de herramienta)



Ensamblaje

EQUILIBRADO DE LOS ACCESORIOS

Para realizar trabajo de precisión, es importante que todos los accesorios estén bien equilibrados (de manera muy parecida a las llantas de su automóvil). Para alinear o equilibrar un accesorio, afloje ligeramente el mandril o la tuerca del portaherramienta y dé al accesorio o al portaherramienta 1/4 de vuelta. Reapriete el mandril o la tuerca del portaherramienta y haga funcionar la herramienta giratoria. Debería poder determinar por el sonido y la sensación si el accesorio está funcionando

en equilibrio. Continúe ajustando de esta manera hasta que se logre el mejor equilibrio. Para mantener el equilibrio en puntas de disco abrasivo, antes de cada uso, con la punta de rueda firmemente sujeta en el portaherramienta, encienda la herramienta giratoria y haga pase la piedra de reacondicionamiento 415 ligeramente contra la punta de disco que gira. Esto retira los puntos salientes y alinea la punta de disco para lograr un buen equilibrio.

Instrucciones de utilización

INSTRUCCIONES DE SEGURIDAD IMPORTANTES – CONSERVE ESTAS INSTRUCCIONES.

PELIGRO: PARA REDUCIR EL RIESGO DE INCENDIO O DESCARGAS ELÉCTRICAS, SIGA DETENIDAMENTE ESTAS INSTRUCCIONES

Para realizar la conexión a una fuente de alimentación fuera de los E.U.A., utilice un adaptador de enchufe de conexión con la configuración apropiada para el tomacorriente si es necesario.

⚠ ADVERTENCIA Haga caso de todas las advertencias e instrucciones de seguridad cuando utilice la herramienta rotativa. Si no se siguen los procedimientos recomendados, el resultado podría ser lesiones corporales o daños materiales.

Dremel 2050

Gracias por comprar la Dremel 2050. Este producto fue diseñado para los muchos usuarios de Dremel que utilizan apasionadamente a diario sus herramientas rotatorias. Esta herramienta se diseñó para ofrecerle a usted el máximo rendimiento cuando trabaje en proyectos detallados versátiles.

La Dremel 2050 es una versátil herramienta rotativa de elaboración, que produce los mejores resultados para proyectos detallados versátiles. El tamaño delgado de la herramienta ofrece un control máximo y le permite a usted acercarse más a la pieza de trabajo. El diseño ligero y el agarre blando de la herramienta significan que ésta se puede agarrar cómodamente durante periodos de uso prolongado.

La inclusión del mandril Dremel le permite utilizar cualquier accesorio con un tamaño de vástago de 1/32 a 1/8 de pulgada, por lo que no tendrá que cambiar los portaherramientas cuando cambie a un accesorio de tamaño diferente. Usted apreciará las muchas aplicaciones que la Dremel 2050 puede completar fácilmente.

Introducción a la herramienta giratoria

La herramienta rotativa es cómoda en la mano y está hecha para aceptar una variedad de accesorios, incluyendo puntas y cortadores de grabar, discos y cepillos de pulir y bandas de lijar. Los accesorios vienen en formas diversas y le permiten a usted realizar varios trabajos diferentes. A medida que se

vaya familiarizando con la gama de accesorios y sus usos, irá dándose cuenta de la gran versatilidad de la herramienta giratoria. Descubrirá docenas de usos en los que no había pensado hasta ahora.

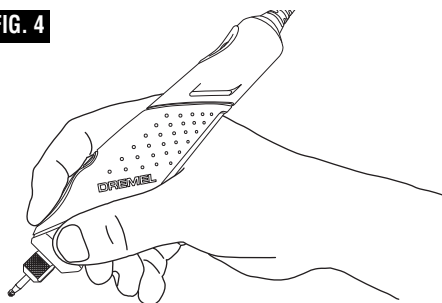
El verdadero secreto de la herramienta giratoria es su velocidad. Para entender las ventajas que ofrece su alta velocidad, usted ha de saber que el taladro eléctrico portátil estándar funciona a velocidades de hasta 2.800 revoluciones por minuto. La herramienta giratoria funciona a velocidades de hasta 22.000 revoluciones por minuto. El taladro eléctrico típico es una herramienta de baja velocidad y par motor alto; la herramienta giratoria es justo lo contrario — una herramienta de alta velocidad y par motor bajo. La principal diferencia para el usuario es que, en las herramientas de alta velocidad, la velocidad combinada con el accesorio montado en el mandril o en el portaherramienta hace el trabajo. Usted no tiene que ejercer presión sobre la herramienta, sino simplemente sujetarla y guiarla. En las herramientas de baja velocidad, usted no sólo tiene que guiar la herramienta, sino que además tiene que ejercer presión sobre ella, tal como lo hace, por ejemplo, al taladrar un agujero.

Esta alta velocidad, junto con su tamaño compacto y su amplia variedad de accesorios especiales, es lo que hace que la herramienta rotativa sea diferente a otras herramientas. La velocidad permite hacer trabajos que las herramientas de baja velocidad no pueden realizar, tales como grabar en vidrio y lijar bordes de madera desiguales.

El sacar el mayor provecho a la herramienta giratoria es cuestión de aprender cómo dejar que la velocidad haga el trabajo para usted. Para informarse sobre más usos y la versatilidad de los accesorios y aditamentos Dremel, consulte este manual del usuario o visite nuestro sitio web en www.Dremel.com, o únase a la conversación en [facebook.com/dremel](https://www.facebook.com/dremel).

Instrucciones de utilización

FIG. 4



Encendido y apagado de la herramienta

Inserte el conector macho de CC de la herramienta rotativa en el conector hembra de CC de la fuente de alimentación (Fig. 1). Inserte la fuente de alimentación en un tomacorriente.

La herramienta se “ENCIENDE” por medio del botón de encendido y apagado (Fig. 1 y 9).

PARA “ENCENDER” LA HERRAMIENTA, presione y suelte el botón de encendido y apagado.

PARA “APAGAR” LA HERRAMIENTA, presione y suelte el botón de encendido y apagado.

Ajuste la velocidad de la herramienta utilizando el dial de velocidad. Consulte la sección “Velocidades de funcionamiento”.

Protección contra paradas

Esta herramienta tiene incorporada una función de protección contra paradas para proteger el motor en el caso de una parada. Si usted detiene el motor demasiado tiempo, o si atora la broca en una pieza de trabajo, especialmente a altas velocidades, el motor se apagará automáticamente.

Simplemente retire la herramienta del material en el que se haya detenido, enciéndala de nuevo y continúe utilizándola.

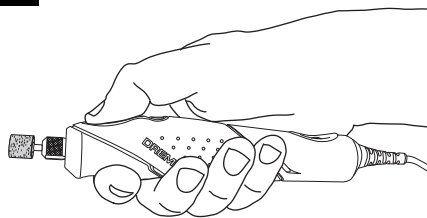
Utilización de la herramienta giratoria

El primer paso para aprender a utilizar la herramienta giratoria consiste en acostumbrarse a la herramienta. Téngala en la mano y experimente la sensación que producen su peso y equilibrio. Toque la parte cónica de la caja protectora. Esta parte cónica permite agarrar la herramienta giratoria de manera muy parecida a como se agarra una pluma o un lápiz (Fig. 4).



Sostenga siempre la herramienta alejada de la cara. Los accesorios pueden resultar dañados durante el manejo y pueden salir despedidos al ganar velocidad. Esto no es común, pero sí sucede.

FIG. 5



PRECAUCIÓN Cuando agarre la herramienta, tenga cuidado de no cubrir las aberturas de ventilación con la mano. Esto bloquea el flujo de aire y hace que el motor se recaliente.

Practique primero en materiales de desecho para ver cómo funciona la acción de alta velocidad de la herramienta giratoria. Tenga presente que el trabajo es realizado por la velocidad de la herramienta y por el accesorio instalado en el portaherramienta. Usted no debe apoyarse en la herramienta ni empujarla durante el uso.

En lugar de eso, baje ligeramente el accesorio que gira hasta la pieza de trabajo y deje que toque el punto en el cual desea comenzar a lijar o grabar. Concéntrese en guiar la herramienta sobre la pieza de trabajo ejerciendo muy poca presión con la mano. Deje que el accesorio realice el trabajo.

Para tener el mejor control al realizar trabajo en espacios estrechos o de tipo detallado, agarre la herramienta giratoria como un lápiz entre el dedo pulgar y el dedo índice (Fig. 4).

El método de “empuñadura de golf” para agarrar la herramienta se utiliza para operaciones más agresivas, tales como lijar o amolar una superficie plana (Fig. 5).

Normalmente, es mejor realizar una serie de pasadas con la herramienta en vez de intentar hacer todo el trabajo en una sola pasada. Para lijar una superficie de madera, por ejemplo, pase la herramienta hacia detrás y hacia delante sobre la pieza de trabajo, de manera muy parecida a como lo haría con una brocha de pintor pequeña. Lije un poco de material en cada pasada hasta que alcance la profundidad deseada. Para la mayoría de los trabajos, es mejor utilizar un toque hábil y suave. Con éste, usted logra el mejor control, reduce las posibilidades de cometer errores y logrará que el accesorio realice el trabajo de la manera más eficaz posible.

Con objeto de seleccionar la velocidad correcta para cada trabajo, utilice una pieza de material de práctica.

Velocidades de funcionamiento

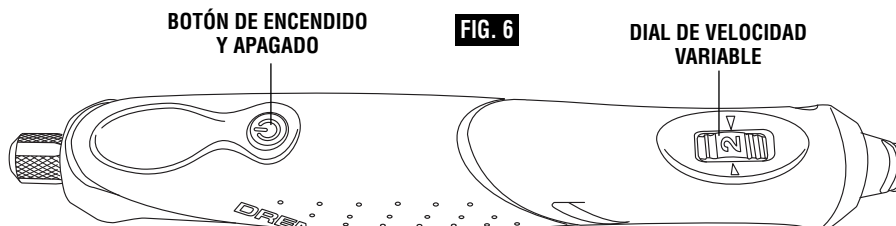


FIG. 6

DIAL DE VELOCIDAD VARIABLE

La herramienta está equipada con un dial de velocidad variable. La velocidad se puede ajustar durante la utilización preajustando el dial en cualquiera de las posiciones o entre ellas.

Puede consultar los cuadros de la página 55 para determinar la velocidad adecuada, basándose en el material en el que se esté trabajando y el tipo de accesorio que se esté utilizando. Estos cuadros le permiten seleccionar tanto el accesorio correcto como la velocidad óptima con sólo echar un vistazo.

La velocidad de la herramienta giratoria se controla ajustando este dial ubicado en la carcasa (Fig. 6).

Posiciones para las revoluciones apropiadas.

Ajuste del dial	Intervalo de velocidad
1	5 000 – 7 000/min
2	8 000 – 10 000/min
*3	11 000 – 14 000/min
4	15 000 – 18 000/min
5	19 000 – 22 000/min

* Ajuste máximo para el cepillo de alambre.

Necesidades de velocidades más lentas

Sin embargo, determinados materiales (algunos plásticos y metales preciosos, por ejemplo) requieren una velocidad relativamente lenta debido a que a alta velocidad la fricción del accesorio genera calor y puede causar daños en el material.

Las velocidades lentas (15.000 RPM o menos) normalmente son mejores para operaciones de pulido utilizando los accesorios de pulir de fieltro. Puede que también sean mejores para trabajar en proyectos delicados tales como trabajo de tallado de "cáscaras de huevo", tallado de madera delicada y trabajo con piezas frágiles de modelos. Todas las aplicaciones de cepillado requieren velocidades más bajas para evitar que el alambre se desprenda del soporte.

Las velocidades más altas son mejores para tallar, cortar, fresar, dar forma y cortar ranuras o rebajos en madera.

Las maderas duras, los metales y el vidrio requieren un funcionamiento a alta velocidad, y el taladrado también deberá realizarse a altas velocidades.

El punto que hay que recordar es el siguiente: Muchas aplicaciones y accesorios de nuestra línea brindarán el mejor rendimiento a la máxima velocidad, pero para ciertos materiales, aplicaciones y accesorios se necesitarán velocidades más lentas, lo cual es el motivo por el cual se encuentran disponibles nuestros modelos de velocidad variable.

Para ayudarle a determinar la velocidad de funcionamiento óptima para diferentes materiales y distintos accesorios, hemos preparado una serie de tablas que aparecen en la página 55. Al consultar estas tablas, usted puede determinar obtener las velocidades recomendadas para cada tipo de accesorio. Eche un vistazo a estas tablas y familiarícese con ellas.

En última instancia, la mejor manera de determinar la velocidad correcta para realizar trabajo en cualquier material es practicar durante unos minutos utilizando una pieza de desecho, incluso después de consultar el cuadro. Usted puede descubrir rápidamente que una velocidad más lenta o más rápida es mucho más eficaz simplemente observando qué pasa cuando usted realiza una o dos pasadas a diferentes velocidades.

Algunas reglas prácticas en cuanto a velocidad:

- El pulido, el bruñido y la limpieza con cualquier tipo de cepillo de cerdas deben realizarse a velocidades que no superen las 15.000 RPM para evitar dañar el cepillo.
- Aumentar la presión sobre la herramienta no es la respuesta cuando ésta no esté funcionando como usted cree que debe hacerlo. Quizás usted debería estar utilizando un accesorio distinto, y tal vez un ajuste de la velocidad resolvería el problema. Apoyarse sobre la herramienta no ayuda.

¡Deje que la velocidad haga el trabajo!

Utilice únicamente accesorios de alto rendimiento comprobados por Dremel®.

**¿Preguntas o problemas? Llame al 1-800-437-3635
o visite nuestro sitio Web en www.Dremel.com**

Posiciones del dial de

Ajuste el dial de velocidad en la posición recomendada para el material en el que se esté trabajando y el número de catálogo del accesorio que se esté utilizando. Para conocer el intervalo de velocidad para cada posición, sírvase consultar "Velocidades de funcionamiento" en la página 54.

Cortadores de alta velocidad								
Número de catálogo	Madera blanda	Madera dura	Laminados/plásticos	Acero	Aluminio, latón, etc.	Caparazón/piedra	Cerámica	Vidrio
191	5	5	2	3-4	3-4	-	-	-
125	5	3-4	2	3-4	3-4	-	-	-

Cortadores para grabar								
Número de catálogo	Madera blanda	Madera dura	Laminados/plásticos	Acero	Aluminio, latón, etc.	Caparazón/piedra	Cerámica	Vidrio
105	5	5	5	2	3-4	-	-	-

Fresas con punta de diamante								
Número de catálogo	Madera blanda	Madera dura	Laminados/plásticos	Acero	Aluminio, latón, etc.	Caparazón/piedra	Cerámica	Vidrio
7103	5	5	-	-	-	5	5	5

Accesorios para pulir								
Número de catálogo	Madera blanda	Madera dura	Laminados/plásticos	Acero	Aluminio, latón, etc.	Caparazón/piedra	Cerámica	Vidrio
414, 429	-	-	-	3-4	3-4	3-4	3-4	3-4

Escobillas de alambre								
Número de catálogo	Madera blanda	Madera dura	Laminados/plásticos	Acero	Aluminio, latón, etc.	Caparazón/piedra	Cerámica	Vidrio
428	2-3	2-3	1	2-3	2-3	-	-	-

Cintas y discos de lijar								
Número de catálogo	Madera blanda	Madera dura	Laminados/plásticos	Acero	Aluminio, latón, etc.	Caparazón/piedra	Cerámica	Vidrio
430, 431, 438	1-5	1-5	1-4	5	5-8	1-5	1-5	-

Mantenimiento

Servicio

⚠ ADVERTENCIA NO HAY PIEZAS EN EL INTERIOR QUE PUEDAN SER AJUSTADAS O REPARADAS POR EL USUARIO. El mantenimiento preventivo realizado por personal no autorizado puede dar lugar a la colocación incorrecta de cables y componentes internos que podría constituir un peligro serio. Recomendamos que todo el servicio de las herramientas sea realizado en un Centro de Servicio Dremel. TÉCNICOS DE REPARACIONES: Desconecten la herramienta y/o el cargador de la fuente de energía antes de realizar servicio de ajustes y reparaciones.

MOTORES DE CC

El motor de la herramienta ha sido diseñado para muchas horas de servicio confiable. Para mantener un rendimiento óptimo del motor, recomendamos que éste sea examinado cada seis meses. Sólo se debe usar un motor de repuesto Dremel genuino diseñado especialmente para la herramienta.

Limpieza

⚠ ADVERTENCIA Para evitar accidentes, asegúrese siempre de que la herramienta esté APAGADA antes de la limpieza. La herramienta se puede limpiar más eficazmente con aire comprimido seco. Use gafas de seguridad siempre que limpie herramientas con aire comprimido.

Las aberturas de ventilación y las palancas de interruptor deben mantenerse limpias y libres de materias extrañas. No intente limpiar introduciendo objetos puntiagudos a través de las aberturas.

⚠ PRECAUCIÓN Ciertos agentes de limpieza y disolventes dañan las piezas de plástico. Algunos de estos son: gasolina, tetracloruro de carbono, disolventes de limpieza clorados, amoníaco y detergentes domésticos que contienen amoníaco

Cordones de extensión

⚠ ADVERTENCIA Si es necesario un cordón de extensión, se debe usar un cordón con conductores de tamaño adecuado que sea capaz de transportar la corriente necesaria para la herramienta. Esto evitará caídas de tensión excesivas, pérdida de potencia o recalentamiento. Las herramientas conectadas a tierra deben usar cordones de extensión de 3 hilos que tengan enchufes de 3 terminales y receptáculos para 3 terminales.

NOTA: Cuanto más pequeño sea el número de calibre, más alta será la capacidad del cordón.

TAMAÑOS RECOMENDADOS DE CORDONES DE EXTENSION HERRAMIENTAS DE 120 V CORRIENTE ALTERNA

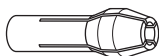
Capacidad nominal en amperes de la herramienta	Tamaño del cordón en A.W.G.				Tamaños del cable en mm ²			
	Longitud del cordón en pies				Longitud del cordón en metros			
	25	50	100	150	15	30	60	120
3-6	18	16	16	14	0.75	0.75	1.5	2.5
6-8	18	16	14	12	0.75	1.0	2.5	4.0
8-10	18	16	14	12	0.75	1.0	2.5	4.0
10-12	16	16	14	12	1.0	2.5	4.0	–
12-16	14	12	–	–	–	–	–	–

Accesorios para la Dremel

⚠ ADVERTENCIA Utilice únicamente accesorios de alto rendimiento comprobados por Dremel®. Otros accesorios no están diseñados para esta herramienta y pueden causar lesiones personales o daños materiales.

Almacene los accesorios en un entorno seco y templado para evitar la corrosión y el deterioro.

El número y la diversidad de accesorios para la Herramienta Giratoria son casi ilimitados. Hay una categoría adecuada para casi todos los trabajos que usted tenga que realizar — y una diversidad de tamaños y formas dentro de cada categoría que le permiten a usted obtener el accesorio perfecto para cada necesidad.

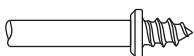


Portaherramientas

Si usted piensa utilizar diversos accesorios, le recomendamos que inicialmente compre un juego completo de cuatro portaherramientas. Guárdelos con objeto de tener el tamaño adecuado de portaherramienta para cualquier accesorio o broca taladradora que quiera usar. **En la actualidad los portaherramientas de 3,2 mm, 2,4 mm, 0,8 mm y 1,6 mm acomodan todos los accesorios Dremel disponibles. Los portaherramientas de 3,2 mm (1/8") se incluyen en la mayoría de juegos de herramienta giratoria.**

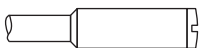
Vástagos

Un vástago es un cuerpo con una cabeza roscada o de tornillo, y es necesario cuando se utilicen accesorios de pulir, ruedas de corte, discos de lijar y puntas de pulir. La razón por la cual se utilizan vástagos es que los discos de lijar, las ruedas de corte y accesorios similares deben ser sustituidos frecuentemente. El vástago es una espiga permanente que permite que usted cambie únicamente la cabeza desgastada cuando sea necesario, por lo que se ahorra el costo de sustituir el eje cada vez.



Vástago de tornillo No. 401

Este es un vástago de tornillo utilizado con la punta de pulir de fieltro y las ruedas de pulir de fieltro. Espiga de 3,2 mm.



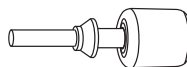
Vástago de tornillo pequeño No. 402

Este es un vástago con un tornillo pequeño en la punta y se utiliza con ruedas de corte de esmeril y de fibra de vidrio, discos de lijar y ruedas de pulir. Espiga de 3,2 mm.



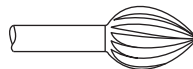
Vástago EZ Lock No. 402

El EZ Lock de Dremel hace que los cambios de accesorio sean tan fáciles como JALAR, GIRAR Y SOLTAR. El diseño de vástago de una pieza simplifica el proceso de cambio de ruedas de corte y facilita el corte a través de plástico.



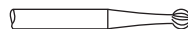
Vástago EZ Drum™ No. EZ407SA

El EZ Drum de Dremel hace que los cambios de accesorios sean tan fáciles como JALAR, INSTALAR Y ASEGURAR. El diseño de vástago de una pieza simplifica el proceso de cambio de los discos de lijar.



Cortadores de alta velocidad

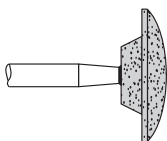
Disponibles en muchas formas, los cortadores de alta velocidad se utilizan para tallar, cortar y ranurar madera, plásticos y metales blandos tales como aluminio, cobre y latón. Estos son los accesorios que se han de utilizar para realizar a pulso fresado o tallado de madera o plástico y para realizar cortes de precisión. Fabricados con acero de alta calidad. Espiga de 3,2 mm.



Cortadores para grabar

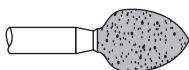
Este grupo de cortadores abarca una amplia gama de tamaños y formas, y los cortadores están hechos para realizar trabajo complicado en cerámica (del tipo no cocido en horno), tallados en madera, joyas y tallados en marfil, caparazones de moluscos o barbas de ballena. Se utilizan frecuentemente para hacer placas de circuitos impresos complicados. No se deben utilizar en acero ni en otros materiales muy duros, pero son excelentes en madera, plástico y metales blandos. Espiga de 2,4 mm.

Accesorios para la Dremel - (cont.)



Piedras de amolar de óxido de aluminio (naranja/marrón)

Redondas, puntiagudas, planas — diga qué forma quiere y habrá alguna disponible en esta categoría. Estas piedras están hechas de óxido de aluminio y cubren prácticamente todos los tipos posibles de aplicaciones de amolado. Utilícelas para afilar hojas de cortadoras de césped, puntas de destornillador, cuchillos, tijeras, cinceles y otras herramientas de corte. Utilícelas para quitar rebabas de piezas metálicas fundidas, desbarbar cualquier metal después de cortarlo, alisar juntas soldadas, amolar remaches y quitar herrumbre. Estas piedras de amolar pueden reafilarse con una piedra de reacondicionamiento. En los talleres de maquinaria, normalmente las brocas y los cortadores de alta velocidad son amolados con muelas de óxido de aluminio. Espiga de 3,2 mm.



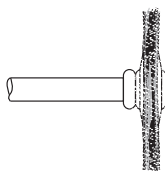
Piedras de amolar de carburo de silicio (verde/gris)

Más duras que las puntas de óxido de aluminio, estas piedras están hechas especialmente para la utilización en materiales duros tales como vidrio y cerámica. Algunos usos típicos podrían ser la remoción de marcas que sobresalgan y el exceso de esmalte en cerámica, y el grabar en vidrio. Espiga de 3,2 mm.



Fresas con punta de diamante

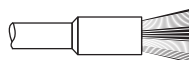
Excelentes para trabajos que involucran detalles finos en madera, jade, cerámica, vidrio y otros materiales duros. Las brocas están cubiertas con partículas de diamante. Espigas de 2,4 mm. (No se recomiendan para taladrar.)



Escobillas de alambre

⚠ ADVERTENCIA Máxima velocidad de funcionamiento 15.000/min. Deje que el cepillo gire a 15.000/min durante un minuto antes de utilizarlo. Consulte la

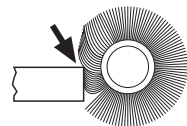
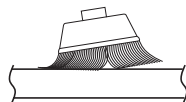
sección "Velocidades de funcionamiento" para obtener el ajuste de velocidad adecuado para la herramienta. Hay disponibles escobillas de alambre de tres formas distintas. Las tres formas de escobillas vienen en tres materiales distintos: alambre de acero inoxidable, de latón y de carbono. El acero inoxidable da buenos resultados en peltre, aluminio, acero inoxidable y otros metales, sin dejar "residuos de herrumbre". Las escobillas de latón no generan chispas y son más blandas que las de acero, por lo que dan buenos resultados cuando se usan en metales blandos como oro, cobre y latón. Las escobillas de alambre de carbono dan buenos resultados para limpieza de propósito general.



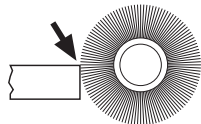
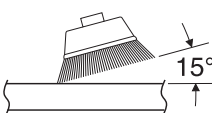
Cepillos de cerda

Estos cepillos constituyen excelentes herramientas para la limpieza de objetos de plata, joyas y antigüedades. Las tres formas hacen posible tener acceso a rincones estrechos y otros lugares difíciles. Los cepillos de cerda se pueden utilizar con compuesto para pulir con objeto de lograr una limpieza o pulido más rápido.

INCORRECTO: Una presión excesiva puede causar la rotura del alambre.



CORRECTO: Las puntas de alambre hacen el trabajo.

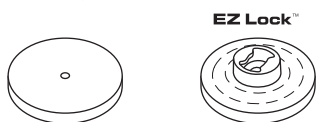


Presión de cepillado

1. Recuerde que las puntas de un cepillo de alambre hacen el trabajo. Utilice el cepillo con la presión más ligera para que solamente las puntas del alambre entren en contacto con la pieza de trabajo.
2. Si se utilizan presiones más grandes, se someterá a los alambres a una tensión excesiva, lo cual dará como resultado una acción de barrido, y si se continúa haciendo esto, podrá acortarse la duración del cepillo debido a la fatiga del alambre.
3. Aplique el cepillo a la pieza de trabajo de manera que tanta cara del cepillo como sea posible esté en contacto completo con la pieza de trabajo.

Accesorios para la Dremel - (cont.)

aplicación del lado o del borde del cepillo a la pieza de trabajo causará la rotura del alambre y acortará la duración del cepillo.

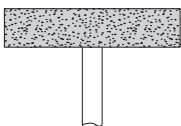


Accesorios para pulir

Entre estos accesorios se encuentran una punta de pulir impregnada y una rueda de pulir impregnada para dar un acabado liso a las superficies metálicas; una punta de pulir de fieltro y una rueda de pulir de fieltro, y una rueda de pulir de tela. Todos estos accesorios se utilizan para pulir plásticos, metales, joyas y pequeñas piezas. También se encuentra en este grupo un compuesto para pulir (No. 421) para utilizarlo con los pulidores de fieltro y de tela.

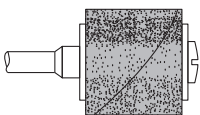
Las puntas de pulir dejan una superficie muy lisa, pero se obtiene un brillo mayor utilizando ruedas de fieltro o de tela y compuesto para pulir. **Para obtener los mejores resultados, los accesorios de pulir deben utilizarse a velocidades que no superen las 15.000 RPM. Consulte la sección Velocidades de funcionamiento para informarse sobre el ajuste adecuado de la velocidad de la herramienta.**

No se necesita compuesto para pulir cuando se utiliza la rueda de pulir 425.



Ruedas abrasivas de óxido de aluminio

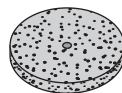
Se utilizan para quitar pintura, desbarbar metal y pulir acero inoxidable y otros metales. Disponibles con grano fino y mediano. Espiga de 3,2 mm.



Accesorios para lijar

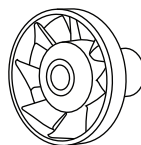
Los discos de lijar de grado fino, mediano y grueso están hechos para acoplarse en el vástago No. 402. Se pueden utilizar para casi todos los trabajos pequeños de lijado que usted tenga que realizar, desde la fabricación de modelos hasta el acabado de muebles finos. Además, está la lijadora de tambor, un diminuto tambor que encaja en la herramienta giratoria y que hace posible dar forma a madera, alisar fibra de vidrio, lijar en el interior de curvas y otros lugares difíciles y realizar

otros trabajos de lijado. Cambie las bandas de lijar del tambor a medida que se vayan desgastando y pierdan el grano. Las bandas vienen en grados finos, mediano y gruesos. Las ruedas de aletas amuelan y pulen superficies planas o contorneadas. Se utilizan con la máxima eficacia como lijadora de acabado después de completar un lijado más pesado de la superficie y la remoción de material. Las ruedas de aletas vienen en calidades fina y gruesa. Los discos de pulir son un magnífico accesorio de acabado para limpieza y lijado ligero. Funcionan eficazmente en metal, vidrio, madera, aluminio y plásticos. Los discos de pulir gruesos y medianos se venden juntos. Todos los discos de pulir se venden individualmente. **No exceda 15.000 RPM de velocidad. Espiga de 3,2 mm.**



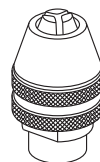
Muela

Se utiliza para desbarbar, quitar herrumbre y amolado de propósito general. Utilízela con el vástago de tornillo No. 402.



Ventilador para portaherramientas

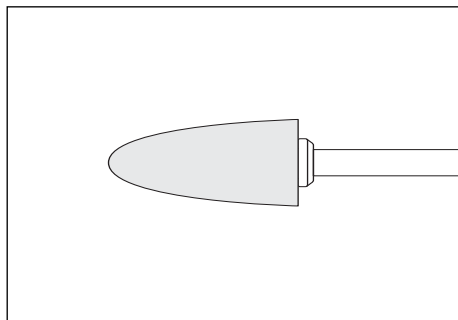
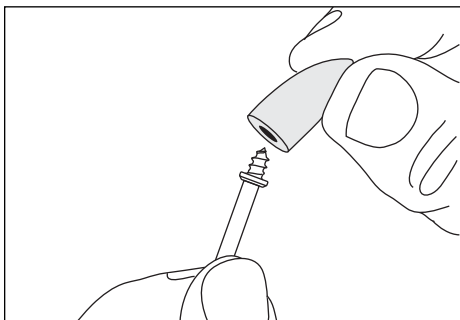
Sopla el polvo alejándolo para brindar mayor visibilidad de la pieza de trabajo. Magnífico para lijar, grabar y tallar. No use el soplador de polvo para detener la herramienta o reducir su velocidad. No contacte el soplador de polvo con los dedos ni con la pieza de trabajo durante el uso.



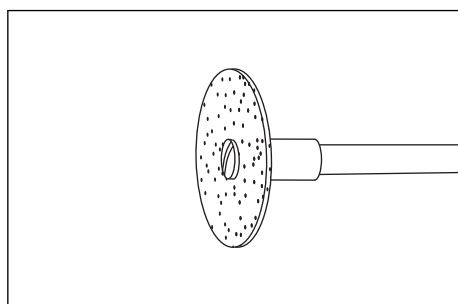
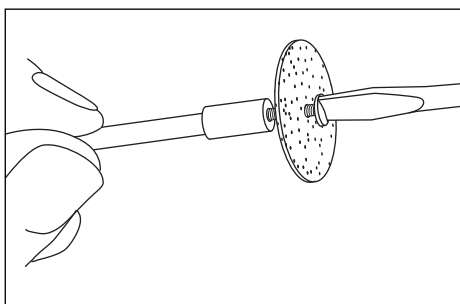
Mandril Dremel

Este mandril le permite cambiar los accesorios rápida y fácilmente en las herramientas giratorias Dremel sin cambiar los portaherramientas. Acepta accesorios con un vástago de 1/32 - 1/8 de pulgada. Lea el manual de instrucciones. Inserte y apriete firmemente el vástago del accesorio bien a fondo dentro de las mandíbulas del mandril.

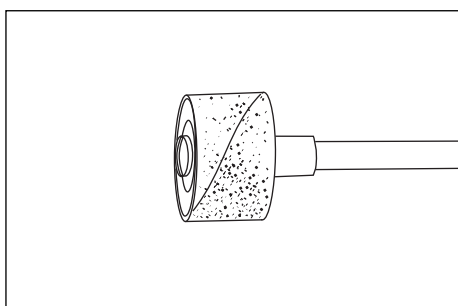
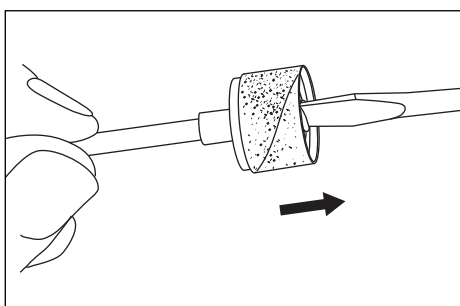
Reemplazo de los accesorios de mandril de tornillo



El vástago **No. 401** se utiliza con la punta de pulir de fieltro y las ruedas de pulir de fieltro. Enrosque la punta en el tornillo cuidadosamente. La punta de fieltro debe enroscarse hacia abajo en línea recta sobre el vástago de tornillo y se debe girar del todo hasta el collarín.



El vástago **No. 402** tiene un tornillo pequeño en la punta y se utiliza con discos de lijar.



Para cambiar una cinta de lijar en la **lijadora de tambor**, afloje el tornillo sin quitarlo para contraer el tambor y luego deslice la cinta vieja hasta sacarla. Deslice la cinta de lijar nueva sobre el tambor hasta que esté colocada y luego expanda el tambor apretando el tornillo una vez más.

⚠ ADVERTENCIA Antes de cada uso, asegúrese de que todos los componentes estén montados en el cuerpo del accesorio y de que el tambor esté suficientemente expandido para mantener fija la cinta de lijar durante el uso. Si dicha cinta está floja en el tambor durante la operación, podrá salir despedida y golpearles a usted o las personas que se encuentren presentes.

Instrucciones de utilización del EZ Lock™

El vástago EZ Lock™ núm. EZ402 tiene un manguito accionado por resorte y se utiliza con discos de lijar, discos de pulir abrasivos y el paño de pulir.

⚠ ADVERTENCIA Asegúrese siempre de que la herramienta rotativa esté “APAGADA” y desconecte siempre el enchufe de la fuente de alimentación o el paquete de batería de la herramienta antes de cambiar accesorios. Dichas medidas preventivas de seguridad reducen el riesgo de arrancar accidentalmente la herramienta eléctrica.

Para cargar el accesorio:

1. Coloque el vástago EZ Lock™ 1 en el interior del portaherramienta tan profundamente como sea posible y apriete el mandril Dremel o la tuerca del portaherramienta (Fig. A1).

Nota: Hay un espaciador azul 2 que tocará fondo sobre la tuerca del portaherramienta, con lo cual el vástago se ajustará a la profundidad correcta. Cuando lo utilice con el mandril Dremel, retroceda el vástago ligeramente hacia fuera antes de apretar.

2. Jale el manguito accionado por resorte 3 hacia ABAJO, hacia la herramienta, con una mano, y manténgalo en esa posición. Puede apoyar la herramienta en el cuerpo o sobre un banco de trabajo para hacer palanca adicional (Fig. A2).
3. Con la otra mano, alinee la interfaz de corbatín 4 ubicada en el vástago con la interfaz de corbatín de metal 5 ubicada en la parte inferior del accesorio 6 (Fig. A2).
4. Coloque el accesorio en el vástago hasta un punto justo debajo del corbatín ubicado en el vástago 4 y gírelo 90 grados hasta que la interfaz de corbatín 5 ubicada en el accesorio 6 se alinee con el manguito 3. Suelte el manguito 3. El accesorio 6 debería quedar fijo en la posición correcta (Fig. A3).

⚠ ADVERTENCIA Es posible que un asentamiento incorrecto del accesorio en el vástago cause lesiones corporales o daños materiales. Para comprobar si el asentamiento es correcto, mantenga presionado el botón de fijación del eje 7 y gire el accesorio 6. El accesorio 6 no podrá rotar sobre el vástago.

Para descargar el accesorio:

1. Jale el manguito accionado por resorte 3 hacia ABAJO, hacia la herramienta, con una mano (Fig. A3).
2. Sujete el manguito 3 hacia abajo mientras gira el accesorio 6 90 grados (Fig. A3).
3. Retire el accesorio 6 (Fig. A3).

Durante el uso

Evite los daños al vástago EZ Lock™ no dejando que éste entre en contacto con la pieza de trabajo.

FIG. A1

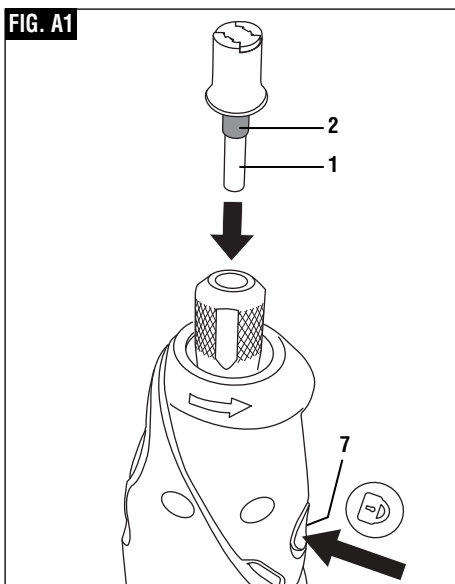


FIG. A2

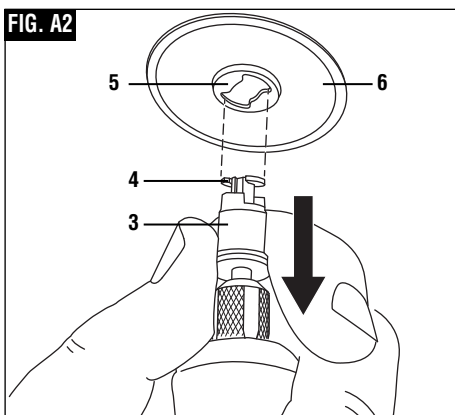
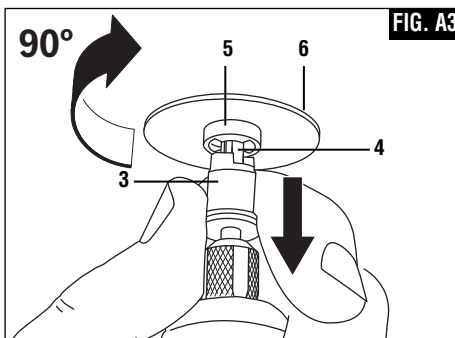


FIG. A3



Instrucciones de utilización del EZ Drum™

El vástago EZ Drum™ No. EZ407SA tiene un manguito accionado por resorte y se utiliza con bandas de lijar.

⚠ ADVERTENCIA Asegúrese de que la herramienta rotativa esté "APAGADA" y desconecte el enchufe de la fuente de alimentación o el paquete de batería de la herramienta antes de cambiar accesorios. Estas medidas de seguridad preventivas reducen el riesgo de arrancar la herramienta accidentalmente.

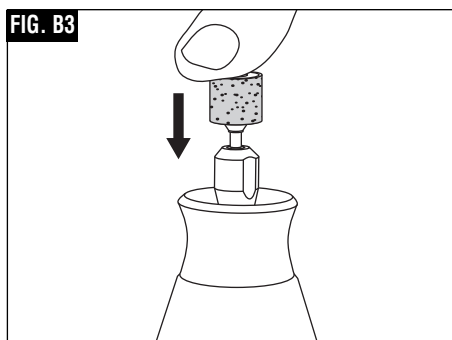
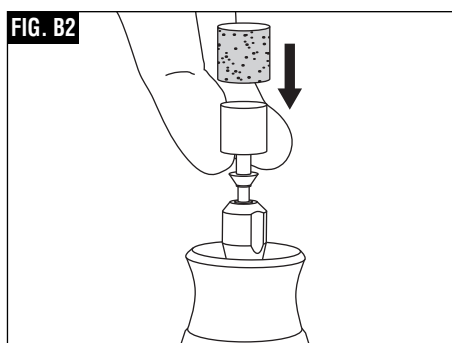
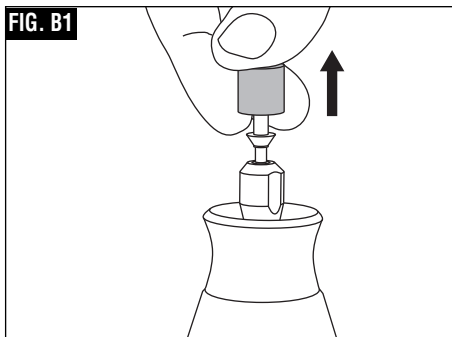
Asegúrese siempre de que el accesorio esté asentado correctamente sobre el mandril antes de utilizarlo. Es posible que un asentamiento incorrecto del accesorio sobre el mandril cause lesiones corporales o daños materiales.

Para cargar el accesorio:

1. Tal y como se indica, coloque dos dedos debajo del vástago y jale firmemente hacia arriba. Esto colocará el EZ Drum™ en la posición "desbloqueada" (Fig. B1).
2. Manteniendo los dos dedos debajo del vástago, deslice la banda de lijar hacia abajo hasta que todo el vástago azul esté cubierto (Fig. B2).
3. Para regresar a la posición "bloqueada", presione firmemente hacia abajo sobre la parte de arriba del vástago (Fig. B3).

Remoción de la banda de lijar del mandril:

1. Coloque dos dedos debajo del mandril y jale firmemente hacia arriba. Esto colocará el EZ Drum™ en la posición "desbloqueada" (Fig. B1).
2. La banda de lijar se deslizará ahora fácilmente hasta separarse del mandril (Fig. B2). No comprima la banda de lijar cuando la retire del mandril EZ Drum™. Esto puede hacer que la banda de caucho jale el mandril hasta retirarlo y la unidad quede inoperativa.



Garantía limitada de Dremel®

Su producto Dremel está garantizado contra defectos de material o de fabricación durante un período de dos años a partir de la fecha de compra. En caso de que un producto no se ajuste a esta garantía escrita, por favor, tome las medidas siguientes:

1. NO devuelva el producto al lugar de compra.
2. Empaquete el producto cuidadosamente y solo, sin otros artículos, y envíelo con el porte pagado junto con:
 - A. Una copia de la prueba de compra fechada (por favor, conserve una copia para usted).
 - B. Una explicación por escrito de la naturaleza del problema.
 - C. Su nombre, dirección y número de teléfono a:

ESTADOS UNIDOS

Dremel Service Center
4915 21st Street
Racine, WI 53406

O

CANADÁ

Giles Tool Agency
 47 Granger Ave
 Scarborough, Ontario Canada
 M1K 3K9
 1-416-287-3000

FUERA DE LOS TERRITORIOS CONTINENTALES DE LOS EE.UU.

Vea al distribuidor local o escriba a Dremel, 4915 21st Street Racine, WI 53406

Recomendamos que el paquete sea asegurado contra pérdida o daños durante el transporte por los cuales no podemos ser responsables.

Esta garantía tiene validez únicamente para el comprador original inscrito. LOS DAÑOS AL PRODUCTO PRODUCIDOS POR MANIPULACION INCORRECTA, ACCIDENTE, ABUSO, NEGLIGENCIA, REPARACIONES O ALTERACIONES NO AUTORIZADAS, ACCESORIOS NO APROBADOS U OTRAS CAUSAS NO RELACIONADAS CON PROBLEMAS DEL MATERIAL O LA FABRICACION NO ESTAN CUBIERTOS POR ESTA GARANTIA.

Ningún empleado, agente, distribuidor, ni ninguna otra persona está autorizado a dar ninguna garantía en nombre de Dremel. Si la inspección de Dremel demuestra que el problema fue causado por problemas con el material o la fabricación dentro de los límites de la garantía, Dremel reparará o reemplazará el producto gratuitamente y devolverá el producto con el porte pagado. Las reparaciones necesarias debido al desgaste normal o al abuso, o las reparaciones de productos que se encuentren fuera del período de garantía, en caso de que se puedan realizar, se cobrarán a precios de fábrica normales.

DREMEL NO DA NINGUNA OTRA GARANTIA DE NINGUN OTRO TIPO, EXPRESA O IMPLICITA, Y TODAS LAS GARANTIAS IMPLICITAS DE COMERCIABILIDAD E IDONEIDAD PARA UN PROPOSITO ESPECIFICO QUE EXCEDEN LA OBLIGACION MENCIONADA ANTERIORMENTE QUEDAN POR LA PRESENTE RECHAZADAS POR PARTE DE DREMEL Y ESTAN EXCLUIDAS DE ESTA GARANTIA LIMITADA.

Esta garantía le confiere a usted derechos legales específicos y es posible que usted también tenga otros derechos que varían de un estado a otro. La obligación del garante consiste únicamente en reparar o reemplazar el producto. El garante no es responsable de ningún daño incidental o emergente debido a cualquiera de dichos defectos alegados. Algunos estados no permiten la exclusión o limitación de los daños incidentales o emergentes, por lo que es posible que las limitaciones o la exclusión anteriores no sean aplicables en el caso de usted.

Para precios y cumplimiento de la garantía en los territorios continentales de los Estados Unidos, póngase en contacto con el distribuidor local Dremel.

Exportado por: © Robert Bosch Tool Corporation Mt. Prospect, IL 60056 -2230, E.U.A.

Importado a México por: Robert Bosch, S. de R.L. de C.V.
 Calle Robert Bosch No. 405 - 50071 Toluca, Edo. de Méx. - México
 Tel. 052 (722) 279 2300 ext 1160 / Fax. 052 (722) 216-6656

Dremel® Limited Warranty

Your Dremel product is warranted against defective material or workmanship for a period of two years from date of purchase. In the event of a failure of a product to conform to this written warranty, please take the following action:

1. DO NOT return your product to the place of purchase.
2. Carefully package the product by itself, with no other items, and return it, freight prepaid, along with:
 - A. A copy of your dated proof of purchase (please keep a copy for yourself).
 - B. A written statement about the nature of the problem.
 - C. Your name, address and phone number to:

UNITED STATES

Dremel Service Center
4915 21st Street
Racine, WI 53406

OR

CANADA

Giles Tool Agency
47 Granger Av.
Scarborough, Ontario Canada
M1K 3K9
1-416-287-3000

OUTSIDE CONTINENTAL UNITED STATES CONTINENTAL UNITED STATES

See your local distributor or write to Dremel, 4915 21st Street Racine, WI 53406

We recommend that the package be insured against loss or in transit damage for which we cannot be responsible.

This warranty applies only to the original registered purchaser. DAMAGE TO THE PRODUCT RESULTING FROM TAMPERING, ACCIDENT, ABUSE, NEGLIGENCE, UNAUTHORIZED REPAIRS OR ALTERATIONS, UNAPPROVED ATTACHMENTS OR OTHER CAUSES UNRELATED TO PROBLEMS WITH MATERIAL OR WORKMANSHIP ARE NOT COVERED BY THIS WARRANTY.

No employee, agent, dealer or other person is authorized to give any warranties on behalf of Dremel. If Dremel inspection shows that the problem was caused by problems with material or workmanship within the limitations of the warranty, Dremel will repair or replace the product free of charge and return product prepaid. Repairs made necessary by normal wear or abuse, or repair for product outside the warranty period, if they can be made, will be charged at regular factory prices.

DREMEL MAKES NO OTHER WARRANTY OF ANY KIND WHATEVER, EXPRESSED OR IMPLIED, AND ALL IMPLIED WARRANTIES OF MERCHANTABILITY AND FITNESS FOR A PARTICULAR PURPOSE WHICH EXCEED THE ABOVE MENTIONED OBLIGATION ARE HEREBY DISCLAIMED BY DREMEL AND EXCLUDED FROM THIS LIMITED WARRANTY.

This warranty gives you specific legal rights and you may also have other rights which vary from state to state. The obligation of the warrantor is solely to repair or replace the product. The warrantor is not liable for any incidental or consequential damages due to any such alleged defect. Some states do not allow the exclusion or limitation of incidental or consequential damages, so the above limitations or exclusion may not apply to you.

For prices and warranty fulfillment in the continental United States, contact your local Dremel distributor.

Exportado por: © Robert Bosch Tool Corporation Mt. Prospect, IL 60056 -2230, E.U.A.

Importado a México por: Robert Bosch, S. de R.L. de C.V.
Calle Robert Bosch No. 405 - 50071 Toluca, Edo. de Méx. - México
Tel. 052 (722) 279 2300 ext 1160 / Fax. 052 (722) 216-6656

