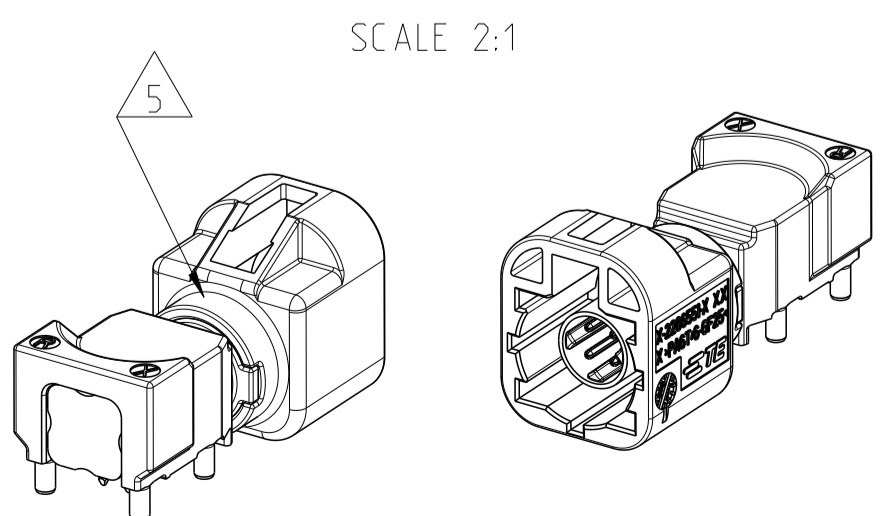
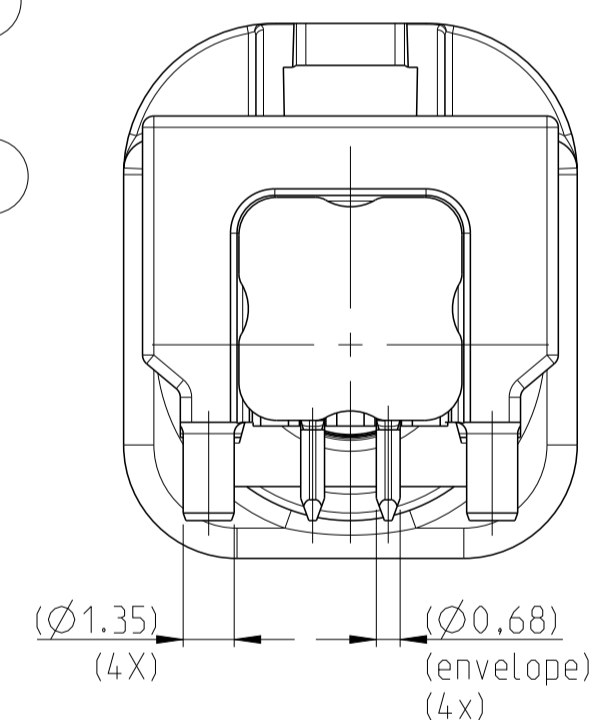
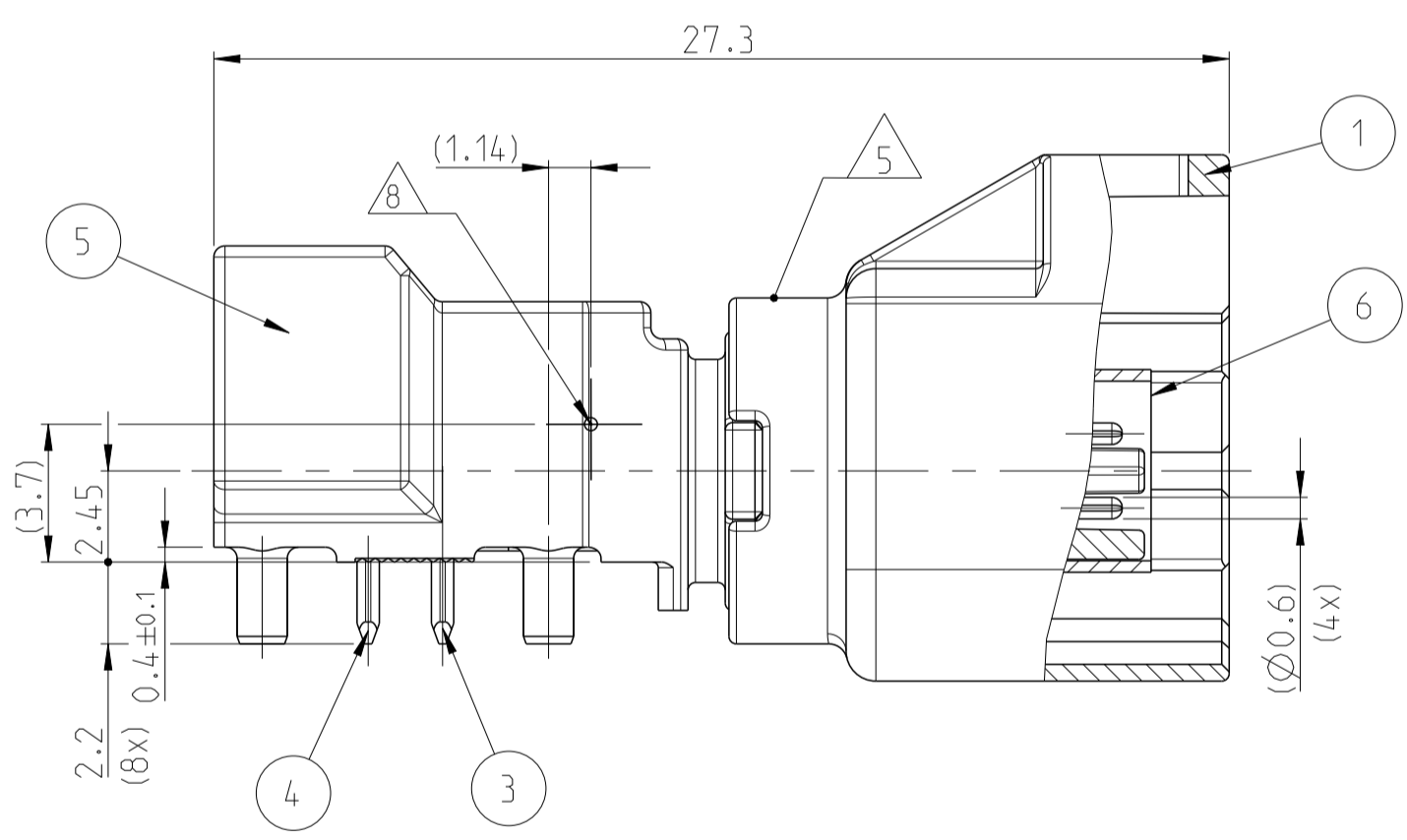
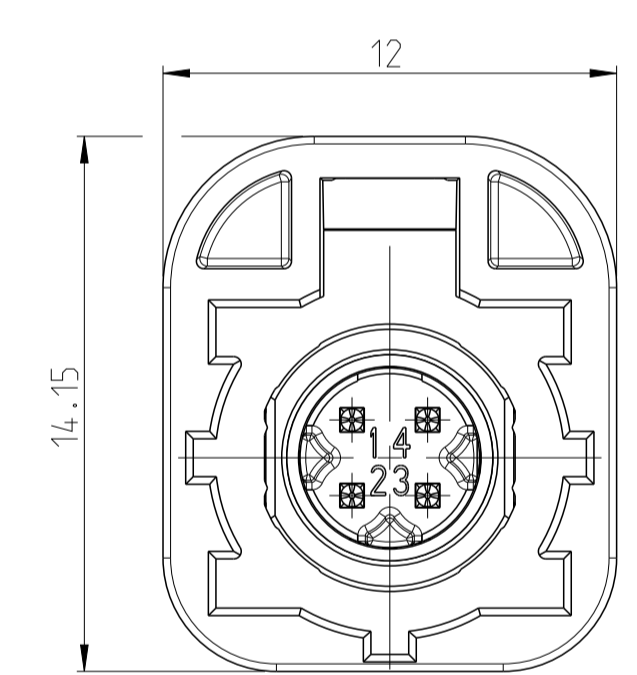
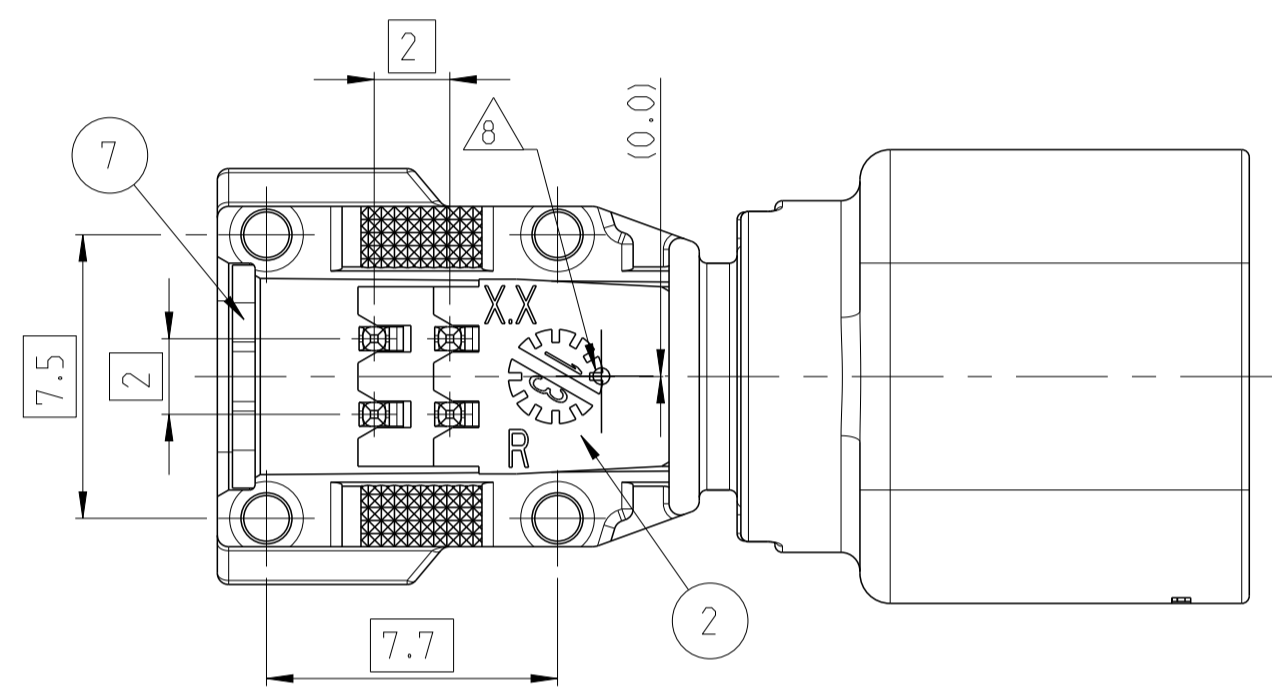


CODINGS 2:1

CODE A	CODE B	CODE C	CODE D	CODE E	CODE F	CODE Z
CODE G	CODE H	CODE J	CODE K	CODE L	CODE M	CODE O
CODE A Reverse	CODE B Reverse	CODE C Reverse	CODE D Reverse			



REVISONS		DATE	OWN	APVD
P	LTN	DESCRIPTION		
A7		E-15-000302	16JUL2015	AL MR
C		E-16-011578	11AUG2016	AW MR
C1		E-16-004349	22MAR2018	AW MR
C2		E-19-013508	26AUG2019	YC MR

- NOTES
Bemerkung
- ONLY THE GERMAN LANGUAGE SHALL BE BINDING
Massgebend ist der deutsche Text
 - DETAILS OF DESIGN ARE LEFT TO TE CONNECTIVITY
Einzelheiten der Ausführung bleiben TE CONNECTIVITY ueberlassen
 - HSD INTERFACE ACC. TO TE SPEC. 114-18950
HSD Schnittstelle nach TE-Spez. 114-18950
 - PACKAGING TAPE AND REEL
Verpackung Blistergurt
 - MARKING OF 100% TEST PASSED
Gutteilmarkierung nach bestandener 100% Pruefung
 - FOR FITTING HSD CONNECTOR PLEASE CONTACT TE CONNECTIVITY.
Fuer passenden HSD Gegenstecker bitte TE Connectivity kontaktieren.
 - ALL DIMENSIONS IN BRACKETS () FOR INFORMATION ONLY
Alle Masse in Klammern () nur zur Information
 - CENTER OF GRAVITY
Schwerpunkt
 - PCB LAYOUT ACCORDING TO TE SPEC. 114-94381
Platinenlayout nach TE-Spez. 114-94381
- WEIGHT [g]: 6.7
Gewicht [g]: 6.7
- AS SHOWN /
wie gezeigt Codierung Z

QTY	DESCRIPTION	MATERIAL	FINISH COLOUR, SIMILAR RAL	ITEM NO
1	SHIELDING CAP Schirmkappe	CuZn37	TIN PLATING Verzinnung	7
1	SHIELDING TUBE Schirmrohr	Cu-DHP	INTERFACE SIDE: NICKEL PLATING MIN. 3-6 µm Steckseite: Vernickelung min. 3-6 µm	6
1	SHIELDING BODY Schirmgehäuse	ZnAl4Cu1	SOLDER SIDE: TIN PLATING Lotseite: Verzinnung	5
2	CONTACT PIN (LONG) Kontaktpin (lang)	CuSn4	SOLDER SIDE: TIN PLATING MIN 3µm Lotseite: Verzinnung min. 3µm INTERFACE SIDE: GOLD PLATING Steckseite: Vergoldung	4
2	CONTACT PIN (SHORT) Kontaktpin (kurz)			3
1	CAVITY BLOCK Kontakttraeger	PA4T-GF30 or alternative	BLACK	2
1	CAVITY BLOCK REVERSE Kontakttraeger	PA4T-GF30 or alternative	BLACK	2
1	CODING COVER Kodierkappe	PA6T/6-GF25	CLARET VIOLET. 4004	1
1			SIGNAL BLUE. 5005	
1			CREAM WHITE. 9001	
1			JET BLACK. 9005	
1			LIGHT GREEN. 6027	
1			PASTEL ORANGE. 2003	
1			YELLOW GREEN. 6018	
1			CURRY. 1027	
1			BEIGE. 1001	
1			HEATHER VIOLET. 4003	
1			BLuish GREY. 7031	
1			WATER BLUE. 5021	
1			NUT BROWN. 8011	
1			LEAF GREEN. 6002	
1			CLARET VIOLET. 4004	
1			SIGNAL BLUE. 5005	
1	CREAM WHITE. 9001			
1	JET BLACK. 9005			

THIS DRAWING IS A CONTROLLED DOCUMENT. DIMENSIONS: mm. TOLERANCES UNLESS OTHERWISE SPECIFIED: 0 PLC ± 0.3, 1 PLC ± 0.3, 2 PLC ± 0.3, 3 PLC ±, 4 PLC ±, ANGLES ±.

OWN: A. Weiss, 15 JUL 2014. CHK: M. Reinhardt, 15 JUL 2014. APVD: M. Reinhardt, 15 JUL 2014. NAME: HSD Header 90deg, HSD Header 90deg. PRODUCT SPEC: 108-94479. APPLICATION SPEC: 114-94381. WEIGHT: -. FINISH: -. Customer Drawing.

SCALE: 5:1. SHEET: 1 OF 2. REV: C2.

ASSY NO. X-2286546-Y

ASSY CODE

REVISION

Customer Drawing

