

**NOTES :**

- 1- MATERIAL:**  
 -HOUSING: POLYESTER FIBER GLASS FILLED UL 94-V0, COLOR BLACK.  
 -TERMINAL: PHOSPHOR BRONZE .  
**PLATING 2:**  
 POST PLATE (0.00127)/.000050 MIN GOLD IN CONTACT AREA  
 (0.00190)/.000075 MIN PURE TIN IN TAIL AREA  
 BOTH OVER (0.00127)/.000050 MIN NICKEL OVERALL.  
**PLATING 7.**  
 POST PLATE (0.00005)/.000002 MIN GOLD OVER (0.00076)/.000030 MIN  
 PALLADIUM NICKEL IN CONTACT AREA (0.00190)/.000075 MIN  
 PURE TIN IN TAIL AREA BOTH OVER (0.00127)/.000050 MIN NICKEL OVERALL (4 CKTS VERSION)

- 2- JACK FOR MATING WITH F.C.C. 68 PLUGS 90075 MOLEX SERIES.  
 3- PRODUCT SPECIFICATION PS-9500I.  
 4- APPLICATION SPECIFICATION AS-9500I.  
 5- PACKAGING SPECIFICATION PK-9500I; STANDARD PACKAGING SHEET 1.  
 SPECIAL PACKAGING SHEET 2. TUBE PACKAGING SHEET 3.

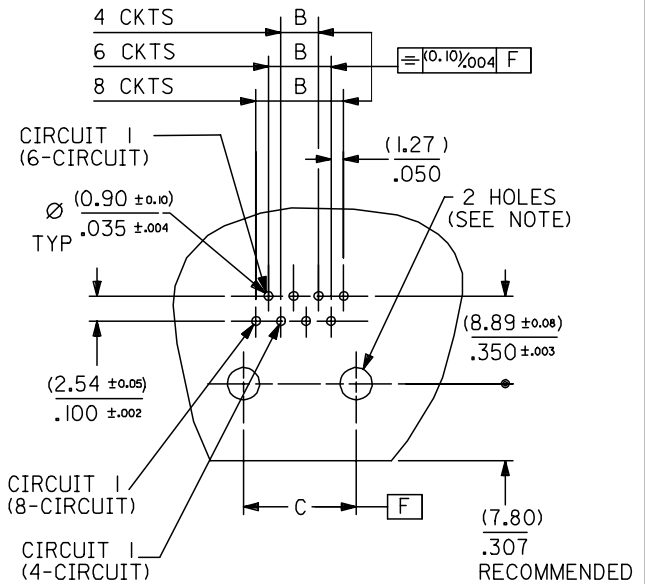
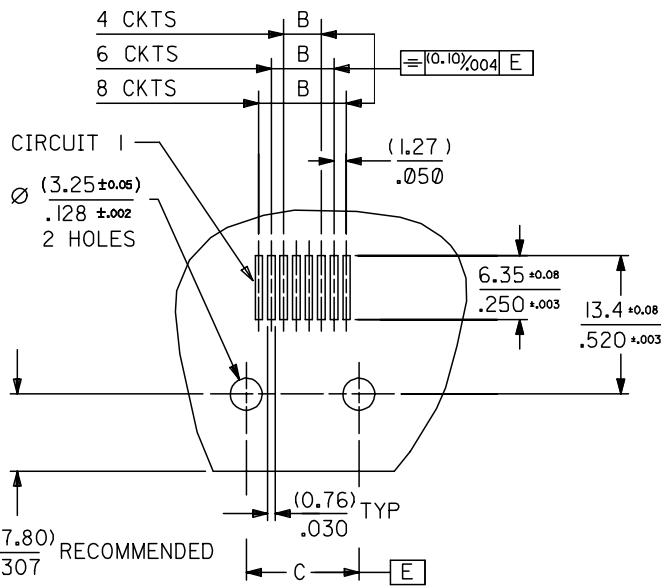
EC NO: MG2005-0106 DRWN: MARTIN 2004/10/12 CHKD: FCARABET 2004/10/12 APPR: KNOLLER 2004/10/13	QUALITY SYMBOLS ▽=0 ▽=0	GENERAL TOLERANCES (UNLESS SPECIFIED)		DIMENSION STYLE MM/IN		SCALE 4:1	DESIGN UNITS METRIC	THIRD ANGLE PROJECTION			
		4 PLACES ± --- ± ---	3 PLACES ± --- ± .006	DRAWN BY FB	DATE 1993/02/24	TITLE R/A LOW PROFILE PC JACK 4,6,8 CKTS SIZE THROUGH HOLE VERSION					
		2 PLACES ± 0.15 ± .010	1 PLACE ± 0.25 ± ---	CHECKED BY ER	DATE 1993/02/24	MOLEX INCORPORATED					
		ANGULAR ± ---°		APPROVED BY JB	DATE 1993/02/24	MATERIAL NO. SEE CHART SHEETS 4.5688	DOCUMENT NO. SDA-9500I	SHEET NO. 1 OF 9			
DRAFT WHERE APPLICABLE MUST REMAIN WITHIN DIMENSIONS		THIS DRAWING CONTAINS INFORMATION THAT IS PROPRIETARY TO MOLEX INCORPORATED AND SHOULD NOT BE USED WITHOUT WRITTEN PERMISSION									

TYPE \ DIM.	POS. 4		POS. 6		POS. 8	
	4 CKTS.	4 CKTS.	6 CKTS.	4 CKTS.	6 CKTS.	8 CKTS.
A	(11.18) / .440	(13.21) / .520	(13.21) / .520	(15.24) / .600	(15.24) / .600	(15.24) / .600
C $\pm 0.05 / \pm 0.002$	(7.62) / .300	(10.16) / .400	(10.16) / .400	(11.43) / .450	(11.43) / .450	(11.43) / .450
B $\pm 0.05 / \pm 0.002$	(3.81) / .150	(3.81) / .150	(6.35) / .250	(3.81) / .150	(6.35) / .250	(8.89) / .350

P.C.B. MOUNTING PATTERNS - SEE FROM COMPONENT SIDE

FOR SMT JACK TYPE (SURFACE MOUNT)

FOR STANDARD JACK TYPE (THROUGH HOLE)



FOR ALL VERSIONS, CIRCUIT 1 ALWAYS ON THE LEFT SIDE

**NOTE:**  
 FOR CONVECTION SOLDERING: DIA 3.25±0.05 / .128±.002  
 FOR WAVE SOLDERING: DIA 3.20±0.10 / .126±.004

EC NO: MG2005-0106 DRAWN: MARTIN 2004/10/12 CHKD: FCARABET 2004/10/12 APPR: KNOLLER 2004/10/13	QUALITY SYMBOLS ▽=0 ▽=0	GENERAL TOLERANCES (UNLESS SPECIFIED)		DIMENSION STYLE MM/IN		SCALE 2:1	DESIGN UNITS METRIC	THIRD ANGLE PROJECTION	
		4 PLACES ± --- ± --- 3 PLACES ± --- ± .006 2 PLACES ± 0.15 ± .010 1 PLACE ± 0.25 ± --- ANGULAR ± ---°	mm INCH FB 2004/09/25	DRAWN BY DATE CHECKED BY DATE APPROVED BY DATE		TITLE R/A LOW PROFILE JACK PC JACK 4,6,8 CKT SIZE SMT AND STANDARD VERSION		MOLEX MOLEX INCORPORATED	
REV DESCRIPTION	DRAFT WHERE APPLICABLE MUST REMAIN WITHIN DIMENSIONS		MATERIAL NO. SEE CHART SHEETS 4,5&6		DOCUMENT NO. SDA-95001		THIS DRAWING CONTAINS INFORMATION THAT IS PROPRIETARY TO MOLEX INCORPORATED AND SHOULD NOT BE USED WITHOUT WRITTEN PERMISSION		

# SPECIAL PACKAGING TUBE, SEE PACKAGING SPEC PK95001 SHEET 3

PART NO FOR JACK ASSEMBLY  
STANDARD VERSION

PART NO FOR JACK ASSEMBLY  
S.M.T. VERSION

HOUSING SIZE	LOADED CONTACTS	PLATING	POLYESTER FIBER GLASS FILED 94V0, COLOR BLACK.						POLYAMIDE 4/6 FIBER GLASS FILED 94V0 COLOR GREY						SPECIAL VERSION				
			NO KEY		KEY		TOOLED	TOOLED	NO KEY		KEY		NOT KEY		TOOLED	TOOLED	POLYESTER BLACK LOW TEMP.		
			NOT RIBBED	TOOLED	NOT RIBBED	TOOLED			NOT RIBBED	TOOLED	NOT RIBBED	TOOLED	NOT RIBBED	TOOLED			NOT RIBBED	TOOLED	
4	4	2	95001-2401	X	95001-2402					95001-6441	X	95001-6442	95001-6449	X					
		7	95001-4401	X															
6	4	2	95001-2601	X	95001-2602					95001-6641	X	95001-6642	95001-6649	X					
6	6	2	95001-2611	X	95001-2612					95001-6661	X	95001-6662	95001-6669	X					
		7	95001-4611	X															
8	4	2	95001-2801		95001-2802					95001-6841		95001-6842	95001-6849				95001-2843	X	
8	6	2	95001-2811	X	95001-2812					95001-6861	X	95001-6862	95001-6869	X			95001-2863	X	
8	8	2	95001-2821	X	95001-2822	X				95001-6881	X	95001-6882	X	95001-6889	X				

EC NO: MG2005-0106 2004/10/12 DRAWN: MARTIN 2004/10/12 CHKD: FCARABET 2004/10/13 APPR: KNOLLER 2004/10/13	QUALITY SYMBOLS ▽=0 ▽=0	GENERAL TOLERANCES (UNLESS SPECIFIED)		DIMENSION STYLE MM ONLY	SCALE ---	DESIGN UNITS METRIC	THIRD ANGLE PROJECTION		
				mm	INCH				
		4 PLACES		±---	±---	DRAWN BY GP		DATE 1993/10/05	
		3 PLACES		±---	±---	CHECKED BY FB		DATE 1993/10/05	
2 PLACES		±---	±---	APPROVED BY JB		DATE 1993/10/05		MOLEX INCORPORATED DOCUMENT NO. SDA-95001 SHEET NO. 6 OF 9	
1 PLACE		±---	±---	MATERIAL NO.		SEE CHART			
ANGULAR		±----°		DRAFT WHERE APPLICABLE MUST REMAIN WITHIN DIMENSIONS					