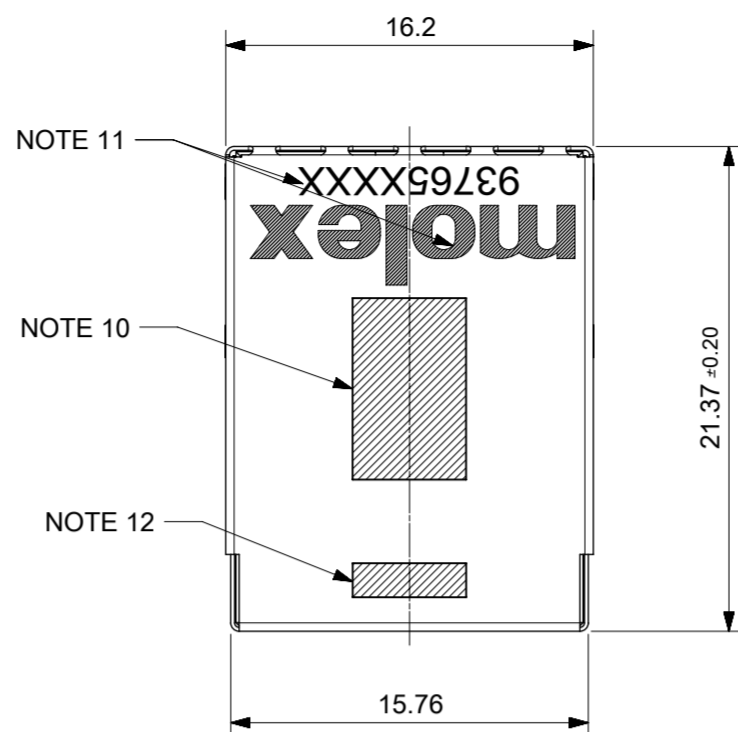
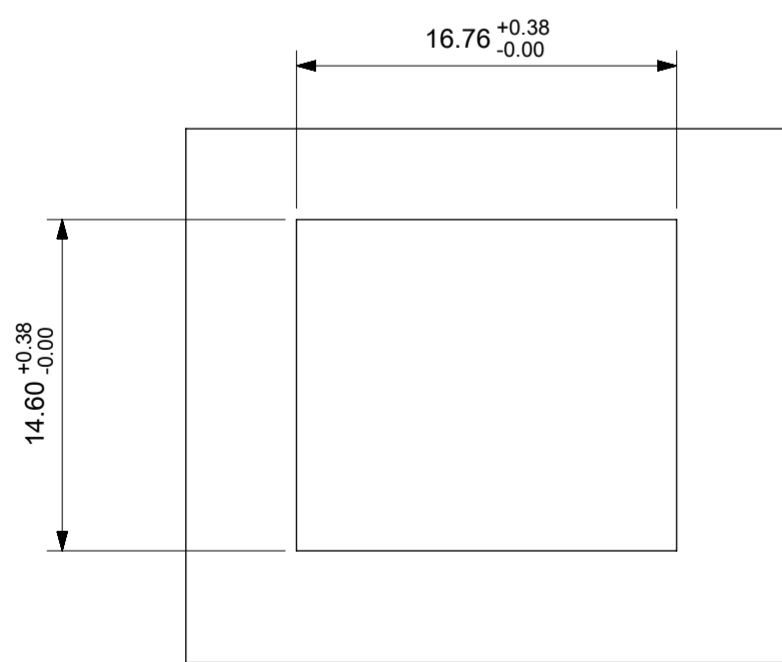
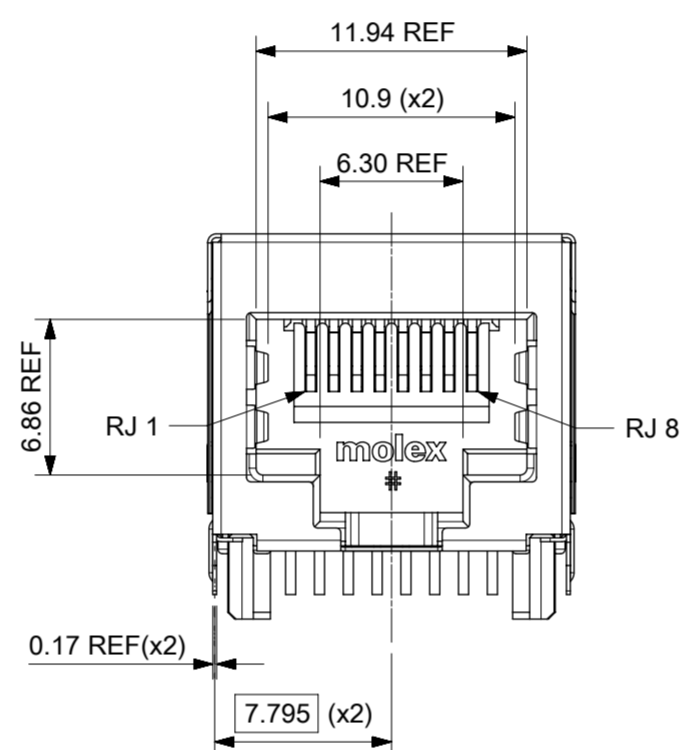
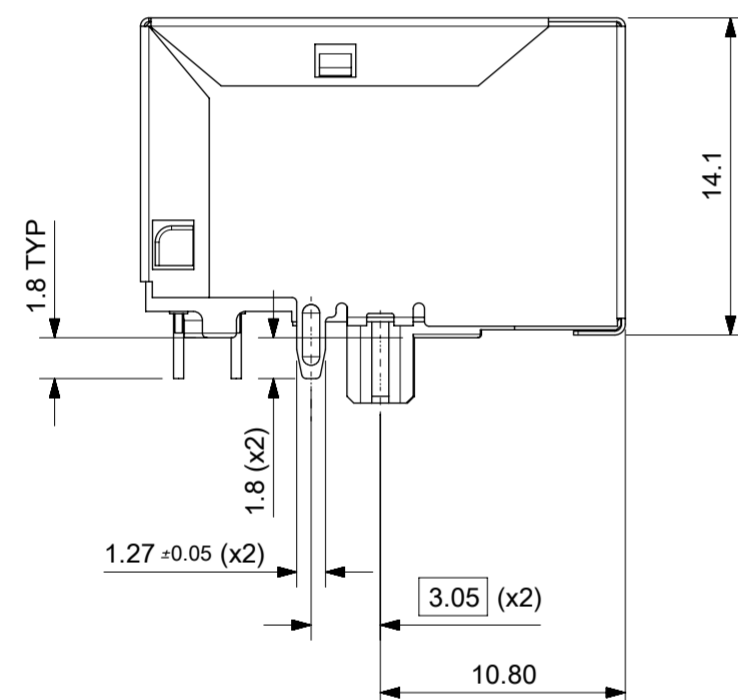


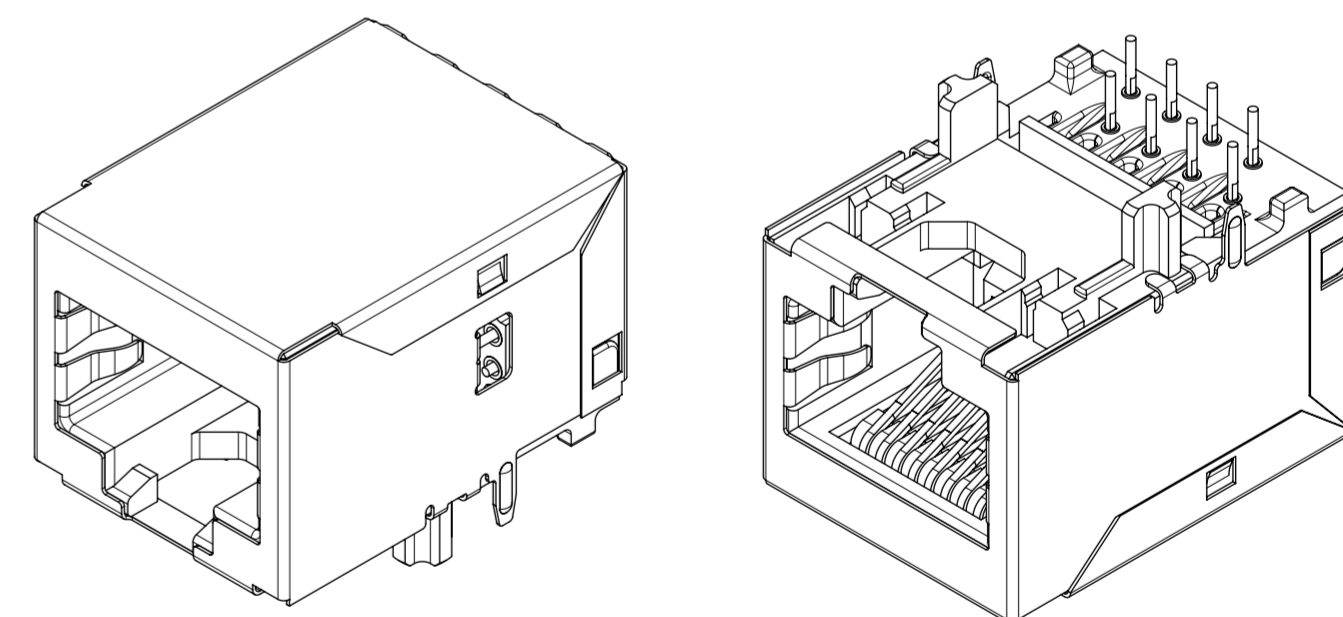
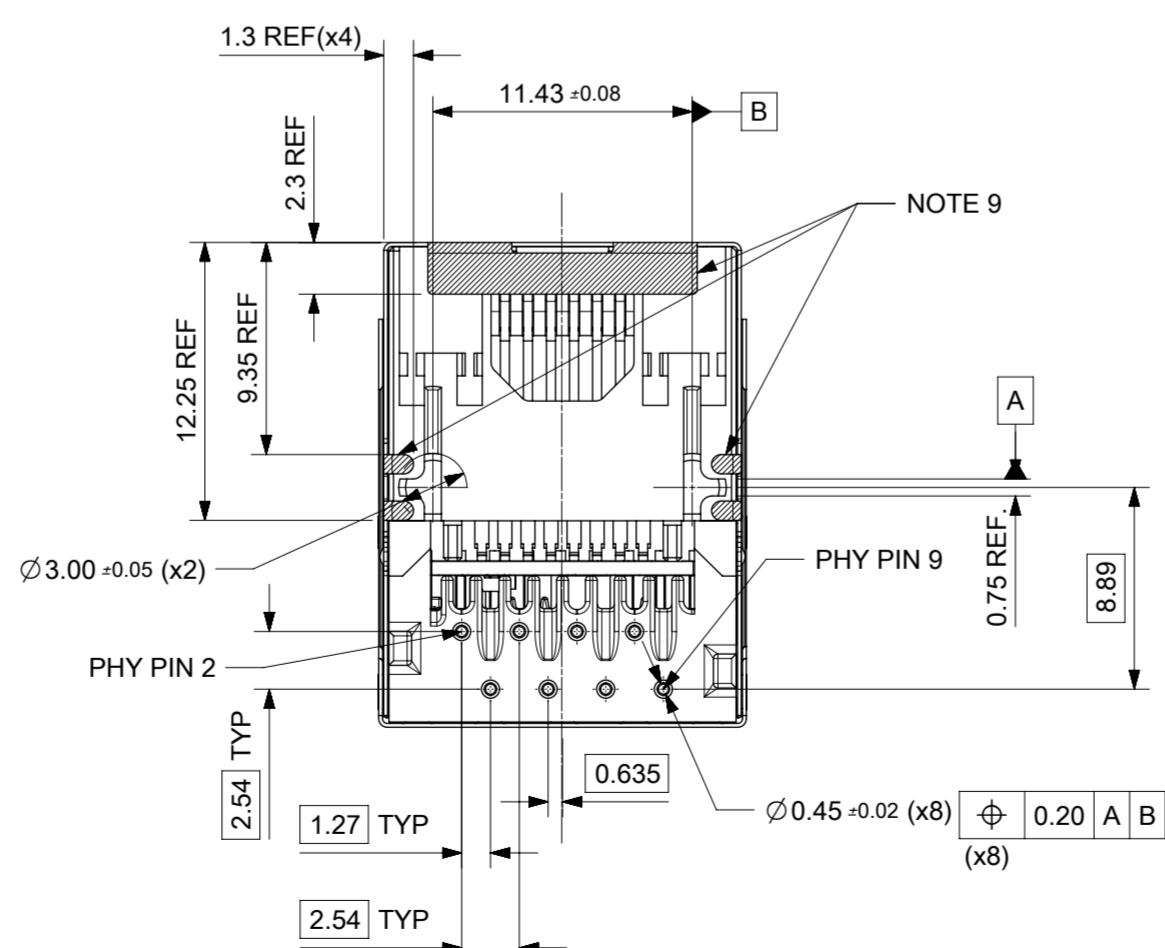
STANDARD PROFILE MAGNETIC JACK  
FAST ETHERNET W/O LEDS  
AND W/O SHIELD TABS TOP AND SIDE  
PIN IN PASTE CAPABLE



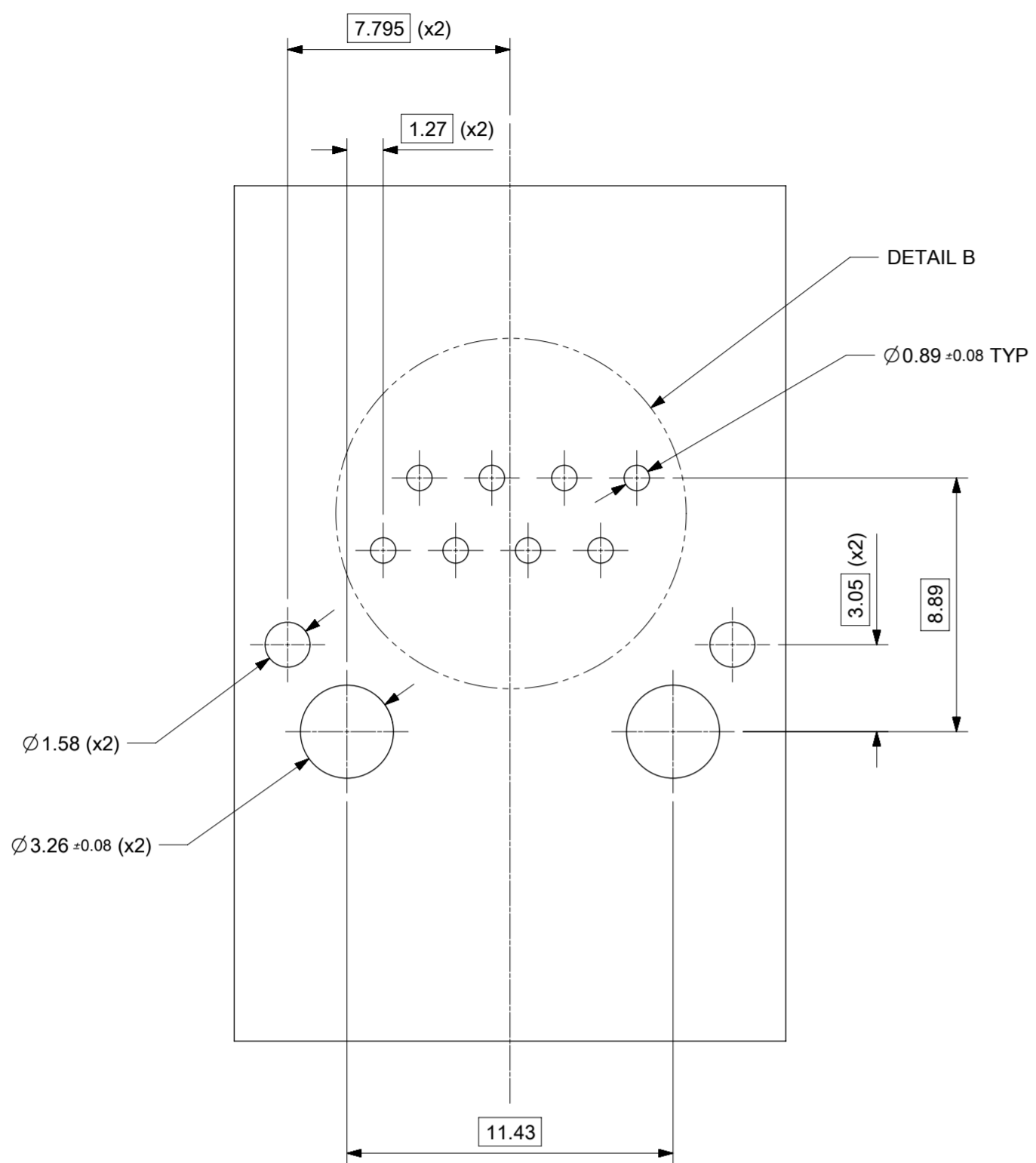
- NOTES:
- 1 - SHIELD MATERIAL: 0.17 mm THICK BRASS PRE-PLATED WITH NICKEL  
SOLDER TABS POST DIPPED WITH MIN. 1.27 μm TIN
  - 2 - HOUSING MATERIAL: LCP, BLACK, UL 94V-0
  - 3 - TERMINAL MATERIAL: PHOSPHOR BRONZE  
RJ45 CONTACTS PLATING: BASE NICKEL PLATED WITH GOLD  
FLASH OVER PALLADIUM NICKEL. REFER TO 934620001 PSP  
PHY SOLDER TAILS: COPPER ALLOY
  - 4 - MATING INTERFACE ACCORDING TO IEC 60603-7 & TIA-1096-A
  - 5 - PRODUCT SPECIFICATION: 934620001 PSP
  - 6 - PACKAGING SPECIFICATION: 934620002 PSK TAPE & REEL  
TAPE AND REEL PACKAGING DRAWING: 934629001 PSD.
  - 7 - STAND OFF TO SYSTEM BOARD 0.30 mm MINIMUM
  - 8 - RECOMMENDED PCB THICKNESS: 1.57 mm
  - 9 - SHIELD: AVOID ROUTING TRACES  
OR PLACING ANY VIAS BELOW THESE AREAS
  - 10 - AREA FOR PICK AND PLACE: 5.0 mm X 8.0 mm MINIMUM.
  - 11 - INSCRIPTION MARKED BY LASER:  
1st : MOLEX  
2nd : P/N (SEE BOM)
  - 12 - DATE CODE(DAY/WEEK/YEAR)



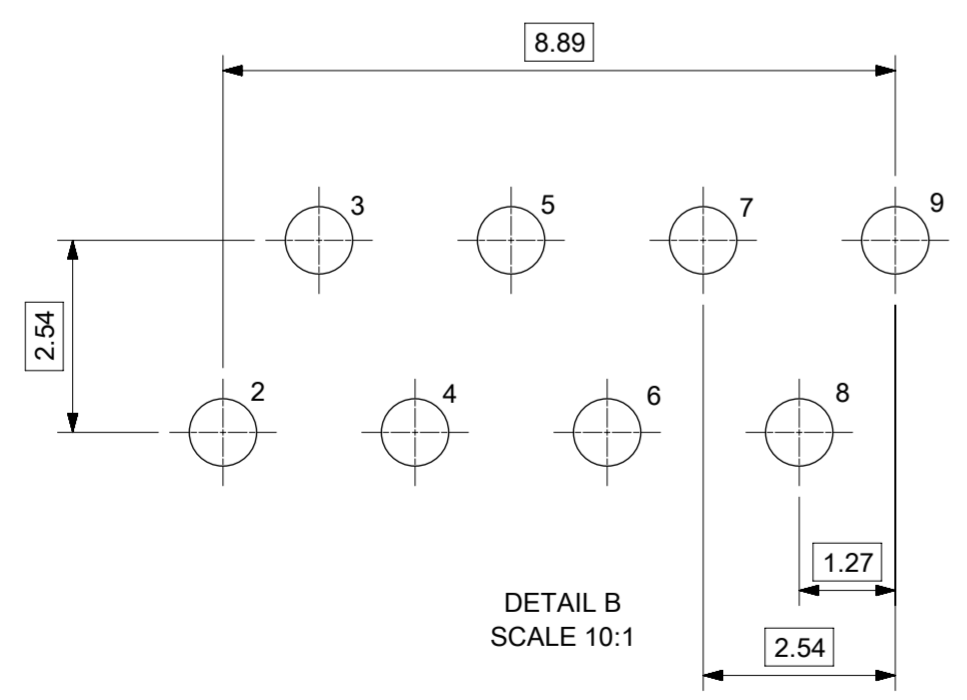
SUGGESTED PANEL CUT-OUT



THIS DRAWING CONTAINS INFORMATION THAT IS PROPRIETARY TO MOLEX ELECTRONIC TECHNOLOGIES, LLC AND SHOULD NOT BE USED WITHOUT WRITTEN PERMISSION																	
DIMENSION UNITS		SCALE		CURRENT REV DESC: ORIGINAL RELEASE.													
mm		3:1		<div style="text-align: center;"><b>molex</b></div> <p>STD PRO MXMAG P.I.P. 4 CORE FE</p> <p>PRODUCT CUSTOMER DRAWING</p> <table border="1" style="width: 100%;"> <tr> <td>DOCUMENT NUMBER</td> <td>DOC TYPE</td> <td>DOC PART</td> <td>REVISION</td> </tr> <tr> <td style="text-align: center;">937655320</td> <td style="text-align: center;">PSD</td> <td style="text-align: center;">000</td> <td style="text-align: center;">A</td> </tr> </table>						DOCUMENT NUMBER	DOC TYPE	DOC PART	REVISION	937655320	PSD	000	A
DOCUMENT NUMBER	DOC TYPE	DOC PART	REVISION														
937655320	PSD	000	A														
GENERAL TOLERANCES (UNLESS SPECIFIED)										EC NO: 624196		2019/09/17					
ANGULAR TOL ± 2.0°										DRWN: DBYRNES		2019/10/02					
4 PLACES ±										CHK'D: BODEA		2019/10/08					
3 PLACES ±				APPR: DSHEA		2019/10/08											
2 PLACES ± 0.1				INITIAL REVISION:													
1 PLACE ± 0.2				DRWN: DBYRNES		2019/09/17											
0 PLACES ±				APPR: DSHEA		2019/10/08											
DRAFT WHERE APPLICABLE MUST REMAIN WITHIN DIMENSIONS		THIRD ANGLE PROJECTION		DRAWING		SERIES		MATERIAL NUMBER									
				A2-SIZE		93765		SEE SHEET 2									
				GENERAL MARKET				SHEET NUMBER									
								1 OF 3									



SUGGESTED BOARD LAYOUT  
FAST ETHERNET VERSION  
COMPONENT SIDE  
ALL DIMENSIONS ARE REFERENCE DIMENSIONS



PIN CONFIGURATION  
FOR FAST ETHERNET VERSION

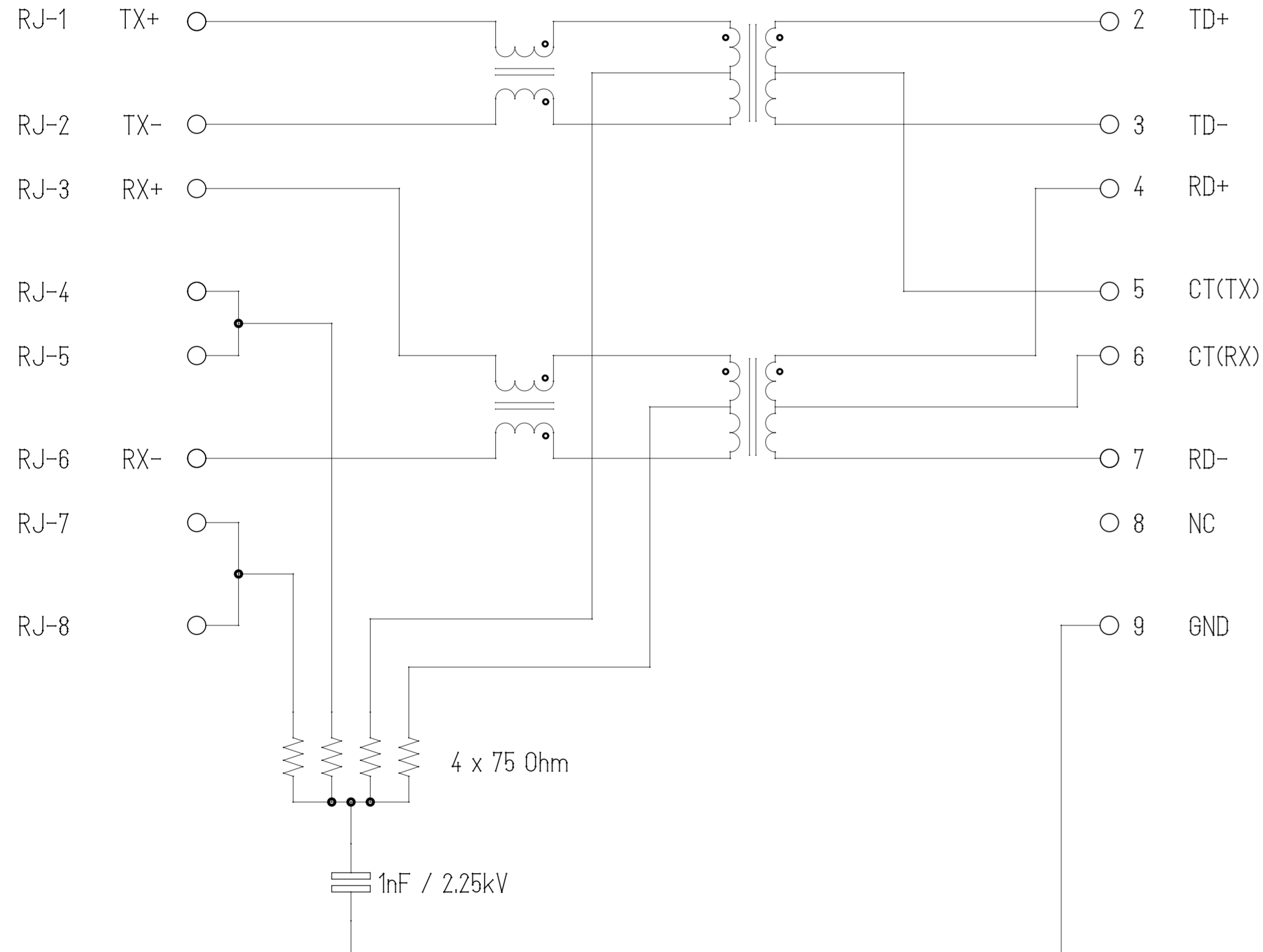
PART NUMBER 93765-5320

THIS DRAWING CONTAINS INFORMATION THAT IS PROPRIETARY TO MOLEX ELECTRONIC TECHNOLOGIES, LLC AND SHOULD NOT BE USED WITHOUT WRITTEN PERMISSION									
DIMENSION UNITS	SCALE	CURRENT REV DESC: ORIGINAL RELEASE.			<b>molex</b>				
mm	5:1								
GENERAL TOLERANCES (UNLESS SPECIFIED)		EC NO: 624196			STD PRO MXMAG P.I.P. 4 CORE FE				
ANGULAR TOL	± 2.0°	DRWN: DBYRNES 2019/09/17							
4 PLACES	±	CHK'D: BODEA 2019/10/02			PRODUCT CUSTOMER DRAWING				
3 PLACES	±	APPR: DSHEA 2019/10/08							
2 PLACES	± 0.1	INITIAL REVISION:			DOCUMENT NUMBER				
1 PLACE	± 0.2	DRWN: DBYRNES 2019/09/17							
0 PLACES	±	APPR: DSHEA 2019/10/08			937655320				
DRAFT WHERE APPLICABLE MUST REMAIN WITHIN DIMENSIONS		THIRD ANGLE PROJECTION	DRAWING	SERIES					
			A2-SIZE	93765	SEE SHEET 2	GENERAL MARKET	PSD	000	A

WIRE-SIDE / RJ-45

ETHERNET MAGNETICS

PHY-SIDE / PCB SIDE



Description	Value	
OCL @100 kHz, 0.1 V, 8 mA DC bias (-40°C to +85°C)	350 μH min.	
Turns ratio	1CT:1CT	
Transmission characteristics @ 25°C, all four pairs		
Insertion Loss		
Frequency f, (MHz)	Limits (dB max.)	Typical Values (dB max.)
1.0-9.9	0.4+0.1*log(f)	0.5 @ 10 MHz
10-49.9	0.5+0.3*log(f/10)	0.7 @ 50 MHz
50-79.9	1+1.4*log(f/80)	1.0 @ 80 MHz
80-100	1.3+3*log(f/100)	1.3 @ 100 MHz
Return Loss		
Frequency f, (MHz)	Limits (dB min.)	Typical Values (dB min.)
1.0-39.9	18	18 @ 40 MHz
40-100	12-20*log(f/80)	10 @ 100 MHz
CMR		
Frequency f, (MHz)	Limits (dB min.)	Typical Values (dB min.)
1.0-100	30	30 @ 100 MHz
NEXT		
Frequency f, (MHz)	Limits (dB min.)	Typical Values (dB min.)
1.0-39.9	35	35 @ 40 MHz
40-100	33-20*log(f/50)	27 @ 100 MHz
Isolation PHY to wire side	2.25 kV DC/60sec	

ETHERNET TERMINALS

Shield

THIS DRAWING CONTAINS INFORMATION THAT IS PROPRIETARY TO MOLEX ELECTRONIC TECHNOLOGIES, LLC AND SHOULD NOT BE USED WITHOUT WRITTEN PERMISSION

DIMENSION UNITS <b>mm</b>	SCALE <b>1:1</b>	CURRENT REV DESC: ORIGINAL RELEASE.	<b>molex</b>		
GENERAL TOLERANCES (UNLESS SPECIFIED)					
ANGULAR TOL ± 2.0°		EC NO: 624196	PRODUCT CUSTOMER DRAWING		
4 PLACES ±		DRWN: DBYRNES 2019/09/17	DOCUMENT NUMBER		
3 PLACES ±		CHK'D: BODEA 2019/10/02	937655320		
2 PLACES ± 0.1		APPR: DSHEA 2019/10/08	DOC TYPE	DOC PART	REVISION
1 PLACE ± 0.2		INITIAL REVISION:	PSD	000	A
0 PLACES ±		DRWN: DBYRNES 2019/09/17	MATERIAL NUMBER		
		APPR: DSHEA 2019/10/08	SEE SHEET 2		
DRAFT WHERE APPLICABLE MUST REMAIN WITHIN DIMENSIONS	THIRD ANGLE PROJECTION	DRAWING	CUSTOMER		SHEET NUMBER
		A2-SIZE	GENERAL MARKET		3 OF 3
		SERIES	93765		