

MATERIALS & FINISHES

BODY: BRASS
PLATED GOLD

CONTACT: BERYLLIUM COPPER
PLATED GOLD

INSULATOR: TEFLON

JAM NUT: BRASS
PLATED GOLD

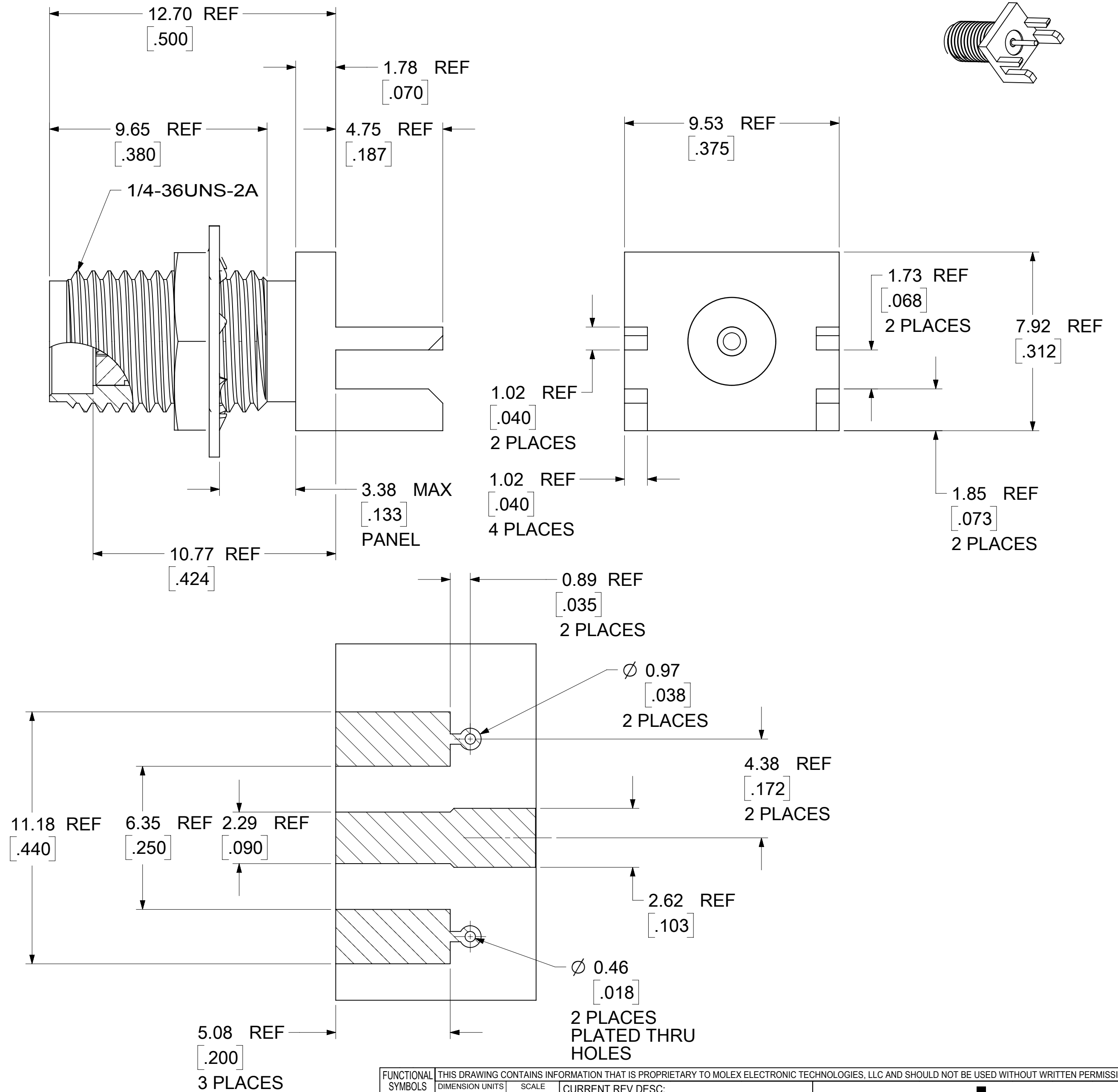
LOCK WASHER: PHOSPHOR BRONZE
PLATED GOLD

PACKAGE SEE TABLE

HARDWARE:

JAM NUT: 7.87/.310 HEX X 1.55/.061

LOCK WASHER: \varnothing 10.26/.404 X \varnothing 6.65/.262 X .46/.018



RECOMMENDED PCB LAYOUT

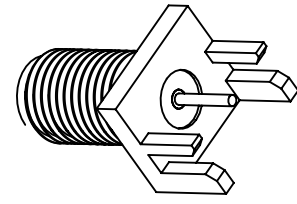
BOARD THICKNESS 1.57/.062

73251-1291	BAG
73251-1290	TRAY
PART NO.	PACKAGING

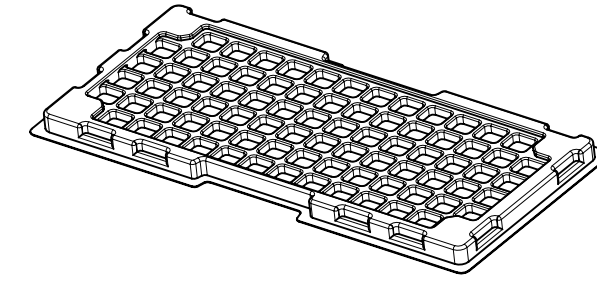
MIL-STD-348A, FIG. 310.2	INTERFACE
SPECIFICATION	DESCRIPTION

FUNCTIONAL SYMBOLS	THIS DRAWING CONTAINS INFORMATION THAT IS PROPRIETARY TO MOLEX ELECTRONIC TECHNOLOGIES, LLC AND SHOULD NOT BE USED WITHOUT WRITTEN PERMISSION		CURRENT REV DESC: EWR-14242-J ADDED LABEL FORMAT FOR 73251-1291		molex		
	DIMENSION UNITS	SCALE					
$\frac{F}{A} = 0$	MM/INCH	NTS	EC NO: 659677		SMA, JACK		
$\frac{F}{C} = 0$	GENERAL TOLERANCES (UNLESS SPECIFIED)		DRWN: JSU18		EDGEMOUNT FOR .062 PCB SMA-J/PCB, EWR-2864		
$\frac{F}{P} = 0$	ANGULAR TOL \pm 2.0°		2021/03/24		PRODUCT CUSTOMER DRAWING		
DIVISIONAL SYMBOLS	4 PLACES \pm	3 PLACES \pm	2021/04/06		DOCUMENT NUMBER		
	2 PLACES \pm	1 PLACE \pm	2021/04/06		SD-73251-129		
	0 PLACES \pm	0 PLACES \pm	INITIAL REVISION:		DOC TYPE		
	DRAFT WHERE APPLICABLE MUST REMAIN WITHIN DIMENSIONS		DRWN: RFC_PLMIMP		DOC PART		
	THIRD ANGLE PROJECTION		2017/12/12		REVISION		
	DRAWING		2005/08/29		A5		
	SERIES		C-SIZE		SHEET NUMBER		
	73251		GENERAL MARKET		1 OF 3		

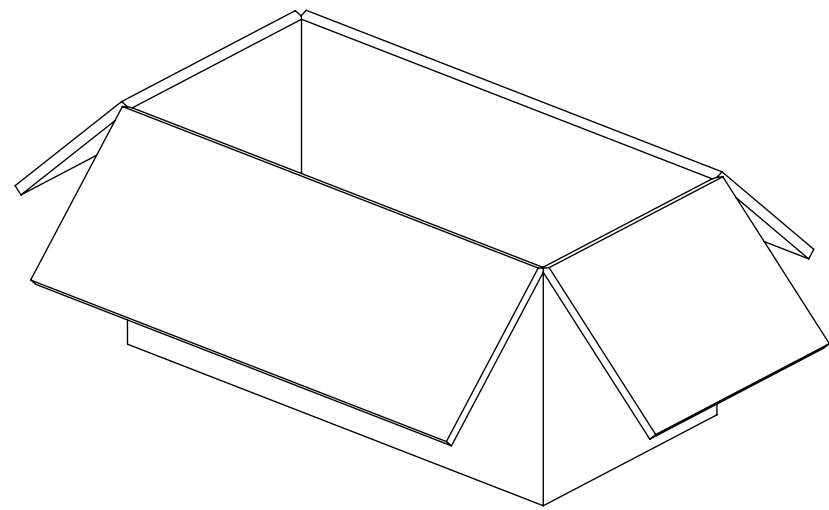
DOCUMENT STATUS	P1	RELEASE DATE	2021/04/06	01:47:33
-----------------	----	--------------	------------	----------



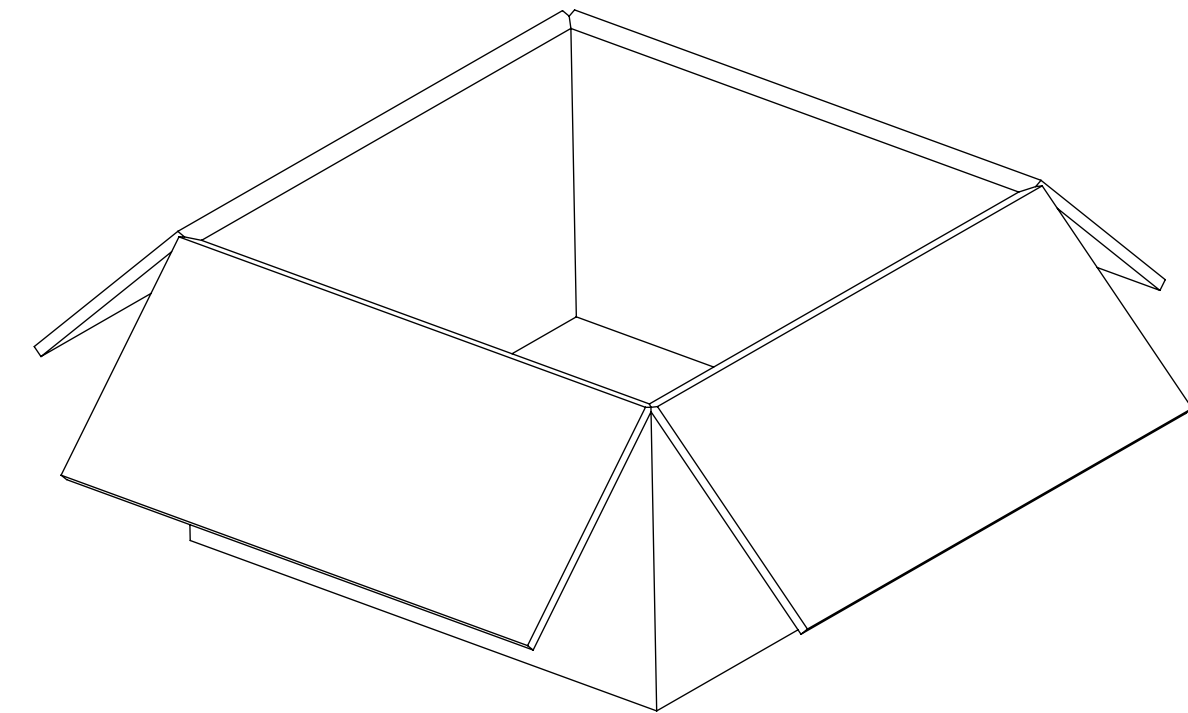
PART NO: 73251-1290



80 SET PER TRAY
P/N: 89707-0190



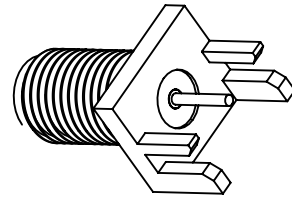
1200 SET PER INNER CARTON BOX
P/N: 96707-0001



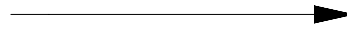
2400 SET PER OUTER CARTON BOX
P/N: 96708-0005

FUNCTIONAL SYMBOLS	THIS DRAWING CONTAINS INFORMATION THAT IS PROPRIETARY TO MOLEX ELECTRONIC TECHNOLOGIES, LLC AND SHOULD NOT BE USED WITHOUT WRITTEN PERMISSION										
	DIMENSION UNITS	SCALE	CURRENT REV DESC:							molex	
$\frac{F}{A} = 0$	MM/INCH	NTS	EWR-14242-J ADDED LABEL FORMAT FOR 73251-1291								
$\frac{F}{C} = 0$	GENERAL TOLERANCES (UNLESS SPECIFIED)		EC NO: 659677							SMA, JACK	
$\frac{F}{P} = 0$	ANGULAR TOL $\pm 2.0^\circ$		DRWN: JSU18 2021/03/24							EDGEMOUNT FOR .062 PCB SMA-J/PCB, EWR-2864	
DIVISIONAL SYMBOLS	4 PLACES \pm		CHK'D: YCHENG 2021/04/06							PRODUCT CUSTOMER DRAWING	
	3 PLACES \pm		APPR: YCHENG 2021/04/06							DOCUMENT NUMBER	
	2 PLACES \pm		INITIAL REVISION:							DOC TYPE	
	1 PLACE \pm		DRWN: RFC_PLMIMP 2017/12/12							DOC PART	
0 PLACES \pm		APPR: JWIENER 2005/08/29							REVISION		
DRAFT WHERE APPLICABLE MUST REMAIN WITHIN DIMENSIONS			THIRD ANGLE PROJECTION	DRAWING	SERIES	MATERIAL NUMBER		CUSTOMER	SHEET NUMBER		
				C-SIZE	73251	SD-73251-129		GENERAL MARKET	2 OF 3		

DOCUMENT STATUS	P1	RELEASE DATE	2021/04/06	01:47:33
-----------------	----	--------------	------------	----------



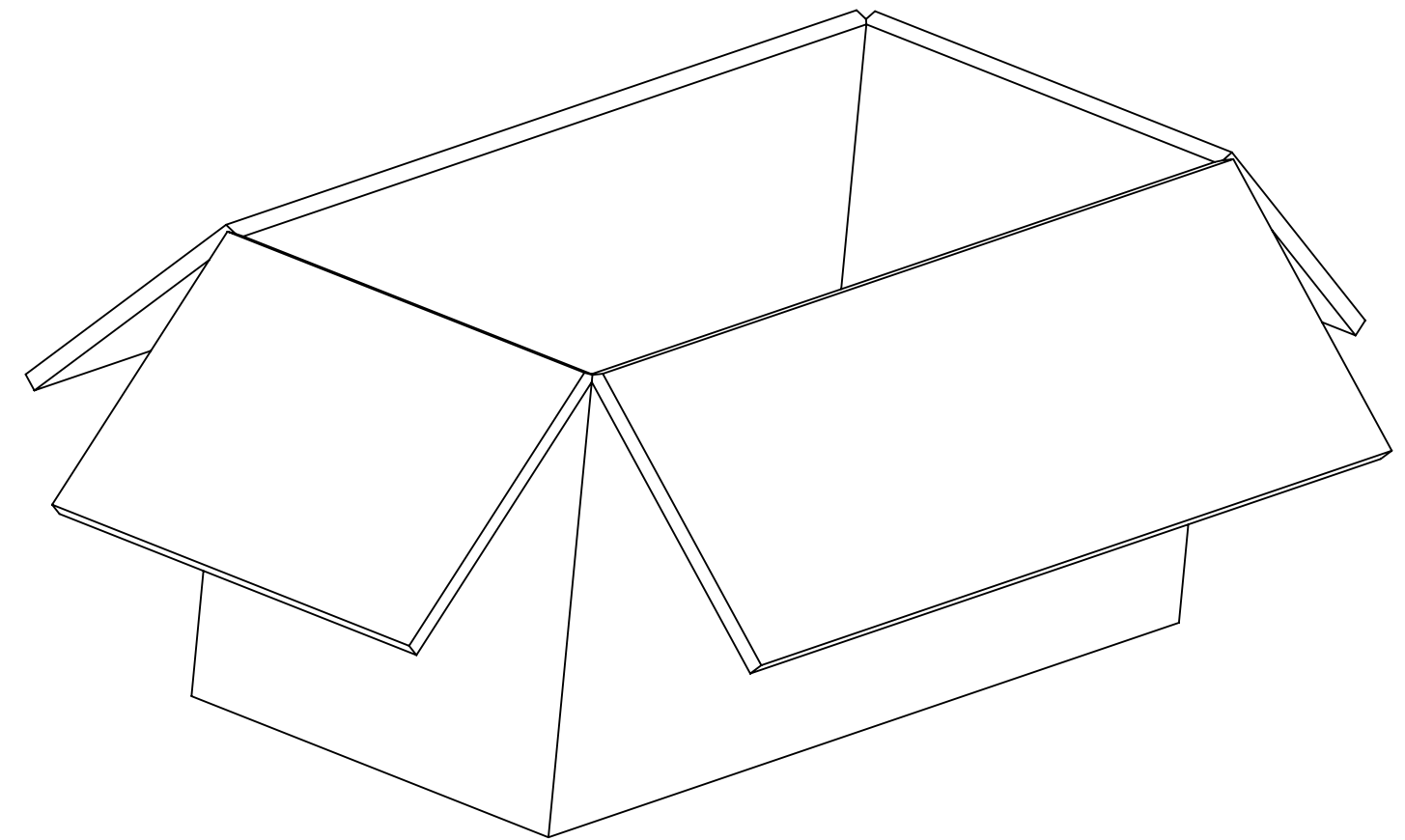
PART NO: 73251-1291



1 SET PER POLYBAG
P/N: 89707-0317

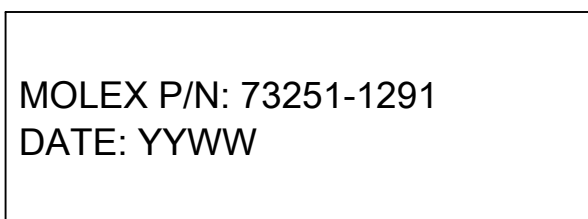


50 SET PER POLYBAG
P/N: 89707-0176



500 SET PER OUTER CARTON BOX
P/N: 96707-0002

LABEL WITH EACH BAG
FOR 73251-1291



FUNCTIONAL SYMBOLS	THIS DRAWING CONTAINS INFORMATION THAT IS PROPRIETARY TO MOLEX ELECTRONIC TECHNOLOGIES, LLC AND SHOULD NOT BE USED WITHOUT WRITTEN PERMISSION									
	DIMENSION UNITS	SCALE	CURRENT REV DESC:							
$\frac{F}{A} = 0$	MM/INCH	NTS	EWR-14242-J ADDED LABEL FORMAT FOR 73251-1291							
DIVISIONAL SYMBOLS	GENERAL TOLERANCES (UNLESS SPECIFIED)									
	$\frac{F}{C} = 0$	ANGULAR TOL $\pm 2.0^\circ$		EC NO: 659677						2021/03/24
$\frac{F}{P} = 0$	4 PLACES	\pm	DRWN: JSU18						2021/04/06	
	3 PLACES	\pm	CHK'D: YCHENG						2021/04/06	
	2 PLACES	\pm	APPR: YCHENG						2021/04/06	
	1 PLACE	\pm	INITIAL REVISION:						2017/12/12	
	0 PLACES	\pm	DRWN: RFC_PLMIMP						2005/08/29	
	DRAFT WHERE APPLICABLE MUST REMAIN WITHIN DIMENSIONS		THIRD ANGLE PROJECTION		DRAWING	SERIES	MATERIAL NUMBER		CUSTOMER	SHEET NUMBER
					C-SIZE	73251	SD-73251-129		GENERAL MARKET	3 OF 3
							DOCUMENT NUMBER		DOC TYPE	DOC PART
							PSD		001	REVISION
							A5			

DOCUMENT STATUS	P1	RELEASE DATE	2021/04/06	01:47:33
-----------------	----	--------------	------------	----------