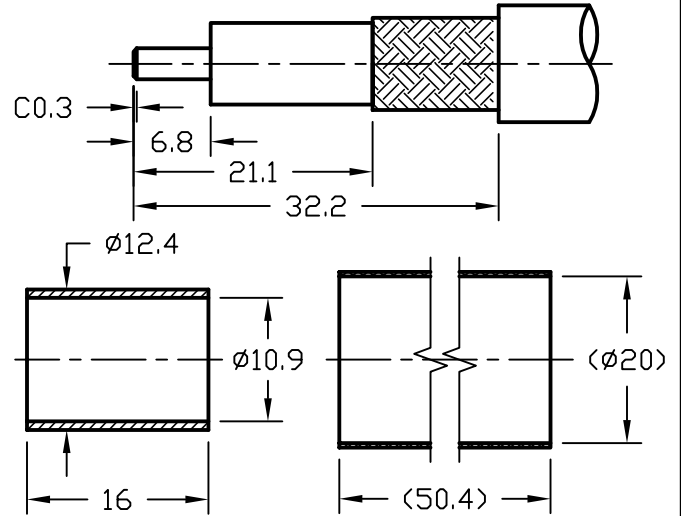
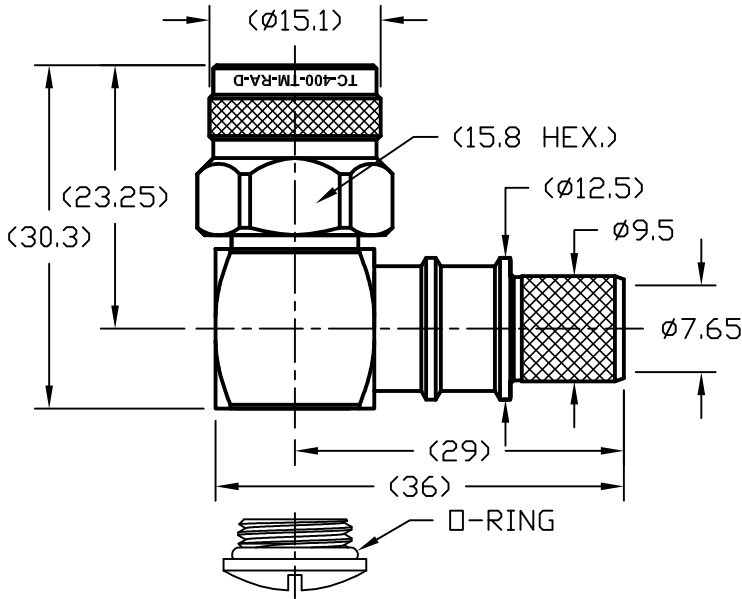


NOTICE OF PROPRIETARY RIGHTS THIS DOCUMENT CONTAINS CONFIDENTIAL TECHNICAL DATA, INCLUDING TRADE SECRETS, PROPRIETARY TO TIMES MICROWAVE SYSTEMS. DISCLOSURE OF THIS DATA IS EXPRESSLY CONDITIONED UPON YOUR ASSENT THAT ITS USE IS LIMITED TO USE WITHIN YOUR COMPANY ONLY. ANY OTHER USE IS STRICTLY PROHIBITED WITHOUT THE PRIOR WRITTEN CONSENT OF TIMES MICROWAVE SYSTEMS.

| SYM | REVISION DESCRIPTION | DFTM | DATE | APPD | DATE |
|-----|------------------------------|--------|---------|--------|---------|
| A | RELEASED FOR PRODUCTION | K.A.M. | 6/3/11 | J.D.B. | 6/3/11 |
| B | CHANGED PER CDC #34607/36250 | D.J.H. | 9/24/12 | J.D.B. | 9/25/12 |

RECOMMENDED CABLE STRIPPING DIM'S.



NOTES:

- CONTACT PIN IS SOLDERED.
- FERRULE IS CRIMPED TO .429" HEX.

ALL PARTS SATISFIED ROHS REQUIREMENTS

| MATERIALS AND PLATING | | UNIT: MICRO-INCHES |
|-----------------------|--------------------|---------------------------|
| BODY/SHELL | BRASS C3604 | ALBALOY 80 MIN/COPPER |
| CONTACT PIN | BRASS C3604 | GOLD 50 MIN/NICKEL/COPPER |
| INSULATOR | TEFLON MIL-P-19468 | N/A |
| GASKET | SILICONE | RED |
| FERRULE | BRASS | ALBALOY 80 MIN/COPPER |
| SHRINK TUBING | PO | BLACK |

| ELECTRICAL CHARACTERISTICS | |
|---------------------------------|------------------------------------|
| Impedance | 50 Ω |
| Frequency range | 0~11GHz |
| Voltage rating | 500V(rms) |
| Dielectric withstanding voltage | 1000V |
| Contact resistance | Center contact ≤ 3 m Ω |
| | Outer contact ≤ 2 m Ω |
| Insulation resistance | ≥ 5000 M Ω |
| Insertion loss | According to the cable |
| RF-leakage | N/A |
| VSWR | ≤ 1.35 MAX@0-6GHz |

| MECHANICAL CHARACTERISTICS | |
|--------------------------------|-------------------|
| Force to engage and disengage | N/A |
| Center contact retention force | 6 lbs Min |
| Coupling torque | 15 in-lbs Min |
| Coupling nut retention force | 60 lbs Min |
| Durability | ≥ 500 cycles |

| ENVIRONMENTAL CHARACTERISTICS | |
|-------------------------------|---------------------------------|
| Temperature range | -55°C- +125°C |
| Thermal Shock | MIL-STD-202, Method 107, Cond B |
| Vibration | MIL-STD-202, Method 204, Cond B |
| Shock | MIL-STD-202, Method 213, Cond I |
| Climatic Class | IEC 60068 55/155/56 |

| | | |
|--------------------------------------|---|-------------------------|
| MATERIAL: UNLESS OTHERWISE SPECIFIED | DFTM: K. A. M. | TIMES MICROWAVE SYSTEMS |
| | DATE: 6/3/11 | |
| USED ON: 0-4 | ALL DIMENSIONS ARE IN mm MACHINED SURFACES FINISH 1.6 RMS MAX. REMOVE ALL BURRS 0.15X45° MAX. BREAK MACHINE CORNERS 0.15X45°D MAX. FILLET R. TOLERANCES ON DECIMALS .X ± 0.3 .XX ± 0.2 ANGLES $\pm 1^\circ$ FRACTIONS \pm N/A | CHKD: J. D. B. |
| | DATE: 6/3/11 | |
| SCALE: N/A | DWG. SIZE: A | APPD: J. D. B. |
| DO NOT SCALE DRAWING | CODE IDENT: 68999 | DATE: 6/3/11 |
| | | HT: 1 of 1 |
| | | SD3190-2671 |
| | | REV: B |