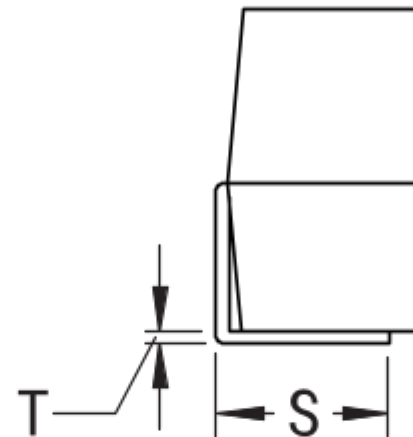
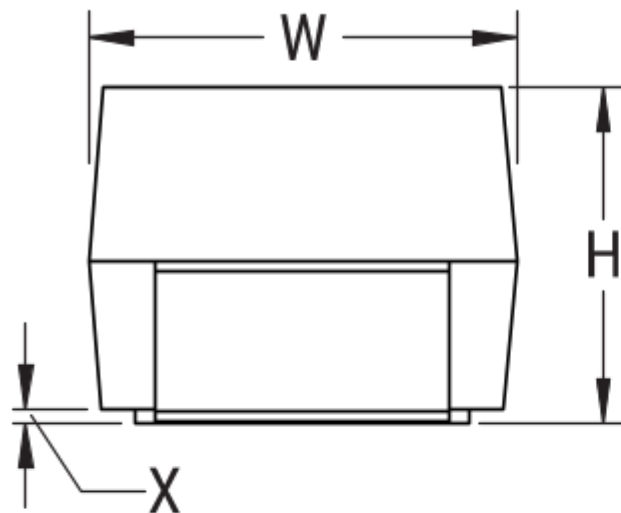


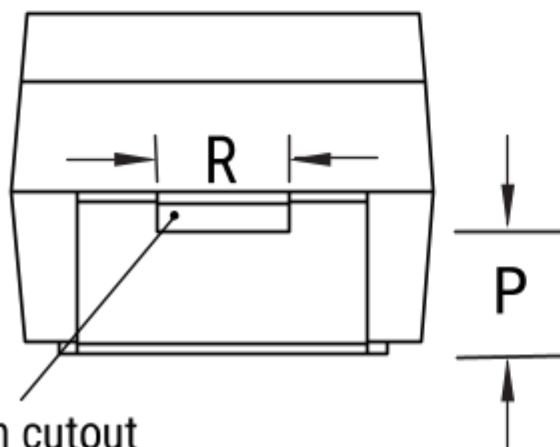
# T493A105K010CH642B

T493 Space, Tantalum, MnO<sub>2</sub> Tantalum, Space, 1 uF, 10%, 10 VDC, SMD, MnO<sub>2</sub>, Molded, Aerospace, C (0.01%/1000 Hrs), 6 Ohms, 3216, Height Max = 1.8mm

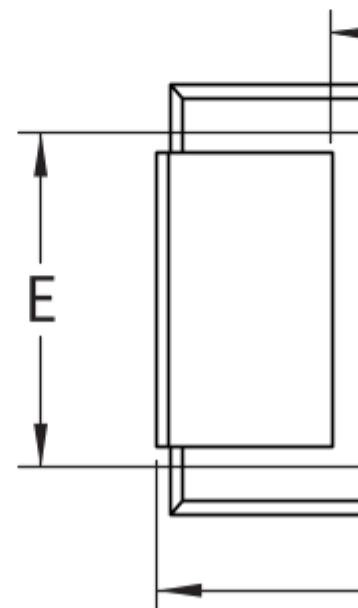
## CATHODE (-) END VIEW



## ANODE (+) END VIEW



Termination cutout  
at KEMET's option,  
either end



Click [here](#) for the 3D model.

## Dimensions

Footprint 3216

L	3.2mm +/-0.2mm
W	1.6mm +/-0.2mm
H	1.6mm +/-0.2mm
T	0.13mm REF
S	0.8mm +/-0.3mm
F	1.2mm +/-0.1mm
A	1.4mm MIN
B	0.4mm +/-0.15mm
E	1.3mm REF
G	1.1mm REF
K	0.7mm MIN
P	0.35mm MIN
R	0.4mm REF
X	0.1mm +/-0.1mm

## Packaging Specifications

Packaging T&R, 178mm

Packaging Quantity 2000

## General Information

Series	T493 Space
Dielectric	MnO2 Tantalum
Style	SMD Chip
Description	SMD, MnO2, Molded, Aerospace
Features	Aerospace
RoHS	No
Prop 65	<b>WARNING:</b> Cancer and reproductive harm - <a href="http://www.p65warnings.ca.gov">http://www.p65warnings.ca.gov</a> .
SCIP Number	1dd2e1b8-26dd-4d52-927c-6f9d519011aa
Termination	Solder Coated
AEC-Q200	No
Component Weight	58.97 mg
Notes	P and R dimensions represents the minimum solderable area of the termination surface entirely below cutout (if one is present).

## Specifications

Capacitance	1 uF
Capacitance Tolerance	10%
Voltage DC	10 VDC (85C), 6.7 VDC (125C)
Temperature Range	-55/+125°C
Rated Temperature	85°C
Dissipation Factor	4% 120Hz 25C
Failure Rate	C (0.01%/1000 Hrs)
Resistance	6 Ohms (100kHz 25C)
Ripple Current	112 mA (rms, 100kHz 25C)

## Specifications

Leakage Current	0.5 uA (5min 25°C)
Testing and Reliability	10 Cycles Surge Testing At -55C And +85C Before Weibull; Additional Testing Option B

Statements of suitability for certain applications are based on our knowledge of typical operating conditions for such applications, but are not intended to constitute - and we specifically disclaim - any warranty concerning suitability for a specific customer application or use. This Information is intended for use only by customers who have the requisite experience and capability to determine the correct products for their application. Any technical advice inferred from this Information or otherwise provided by us with reference to the use of our products is given gratis, and we assume no obligation or liability for the advice given or results obtained.

Generated 5/18/2023 - 5fd6c0b0-0853-4c7e-97c1-c15df5ac6cd4

© 2006 - 2023 KEMET

Generated 5/18/2023 - 5fd6c0b0-0853-4c7e-97c1-c15df5ac6cd4

© 2006 - 2023 KEMET