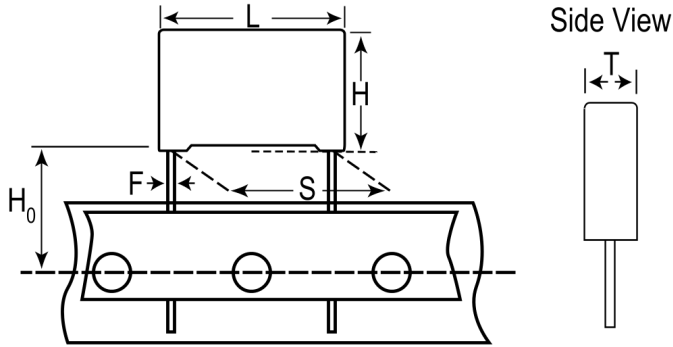


R79MC1680DQ40J

Aliases (79MC1680DQ40J)

Not for New Design

R79, Film, Metallized Polypropylene, General Purpose, 6800 pF, 5%, 400 VDC, 85°C, Lead Spacing = 5mm



Click [here](#) for the 3D model.

Dimensions

| | |
|----|-------------------|
| L | 7.2mm +0.2/-0.5mm |
| H | 7.5mm +0.1/-0.5mm |
| T | 3.5mm +0.1/-0.5mm |
| S | 5mm +0.6/-0.1mm |
| H0 | 18.5mm +/-0.5mm |
| F | 0.5mm +/-0.05mm |

Packaging Specifications

| | |
|--------------------|-------------------------|
| Packaging | Ammo, 360x340x59mm, Box |
| Packaging Quantity | 2500 |

General Information

| | |
|---------------|--|
| Series | R79 |
| Dielectric | Metallized Polypropylene |
| Style | Radial |
| Features | Pulse |
| RoHS | Yes |
| Lead | Wire Leads |
| AEC-Q200 | No |
| Miscellaneous | Above 85C DC And AC Voltage Derating Is 1.25%/C. |
| Notes | Series Replaced by R75. |

Specifications

| | |
|-----------------------|-------------------------------------|
| Capacitance | 6800 pF |
| Capacitance Tolerance | 5% |
| Voltage AC | 200 VAC |
| Voltage DC | 400 VDC |
| Temperature Range | -55/+105°C |
| Rated Temperature | 85°C |
| Dissipation Factor | 0.06% 1kHz, 0.1% 10kHz, 0.3% 100kHz |
| Insulation Resistance | 100 GOhms |
| Max dV/dt | 400 V/us |
| Inductance | 6 nH |