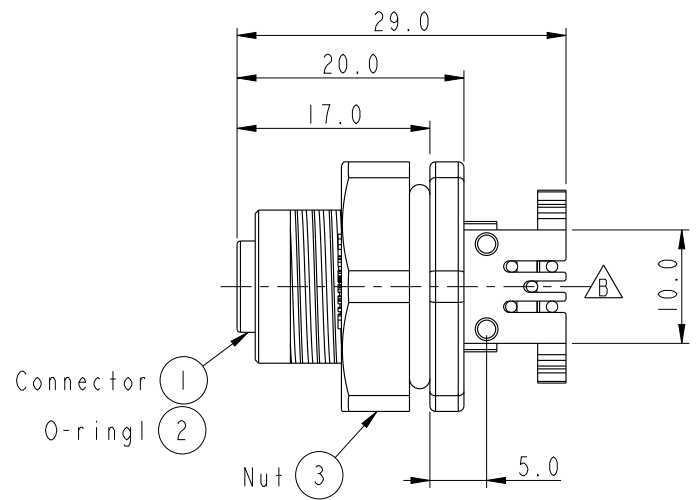
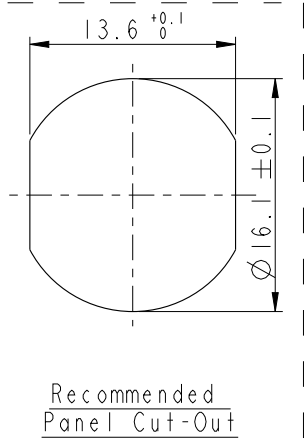
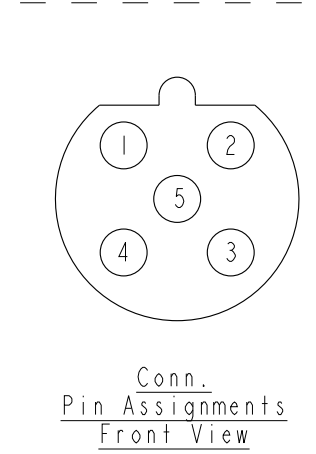
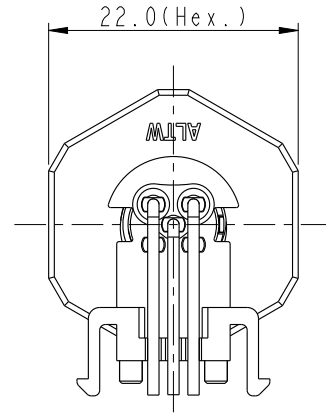
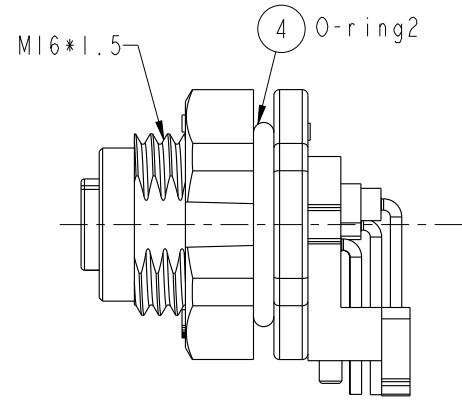
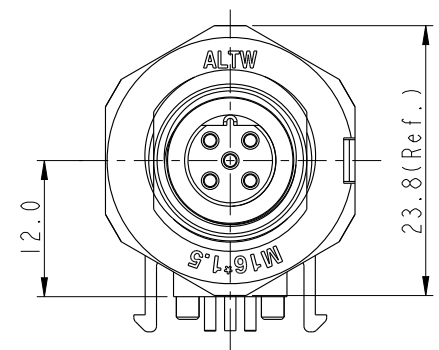
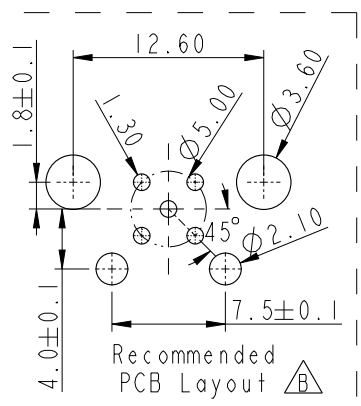


THIS DOCUMENT IS SUBJECT TO CHANGE WITHOUT NOTICE. IT IS CONFIDENTIAL AND A PROPERTY OF AMPHENOL LTW. DISCLOSURE TO THIRD PARTY HAS TO BE AUTHORIZED BY AMPHENOL LTW.

REV.	ECN NO.	DATE	SIGN	DESCRIPTION
B	CI91427	2019/08/14	Nan_Su	Change Views And Layout

ALTW
CONFIDENTIAL
 2019-08-14
 R&D DEPT.



- Note:
- * Important Dimension To Check.
 - * Waterproof Rate: IP68
 IP68: 1M Depth Of Water In 24hours
 - * Connector: Nylon+GF, Black
 - * Female Pin: Copper Alloy, Gold Plated
 - * Shell: Nylon+GF, Black
 - * Nut: Nylon+GF, Black
 - * O-ring1: Silicon, Gray
 - * O-ring2: Silicon, Black
 - * Boardlock: PBT+PC, Black
 - * For Panel Thickness Max. 4.0mm
 - * For PCB Thickness Max. 1.6mm

UNIT: mm		
TOLERANCE	.X	±0.25
	.XX	±0.1
	.XXX	±0.05
ANGLES		±1°

TITLE SENSOR, M12 BCODE, 90° PANEL 5PIN FCONN FPIN, PLASTIC			
SCALE	1:1	SIZE	A4
REV.	B	WC-REV.	A.1
		Inspection item	

Amphenol LTW
 安費諾亮泰企業股份有限公司

ITEM NO.	MSBP-05PFFR-SF8002	DRAWN BY	Nan_Su	DATE	2019-08-14
DWG NO.	MSBP-05PFFR-SF8002	CHECKED BY	Feng_Li	DATE	2019-08-14
CUSTOMER	ALTW	APPROVED BY	Jerry	DATE	2019-08-14