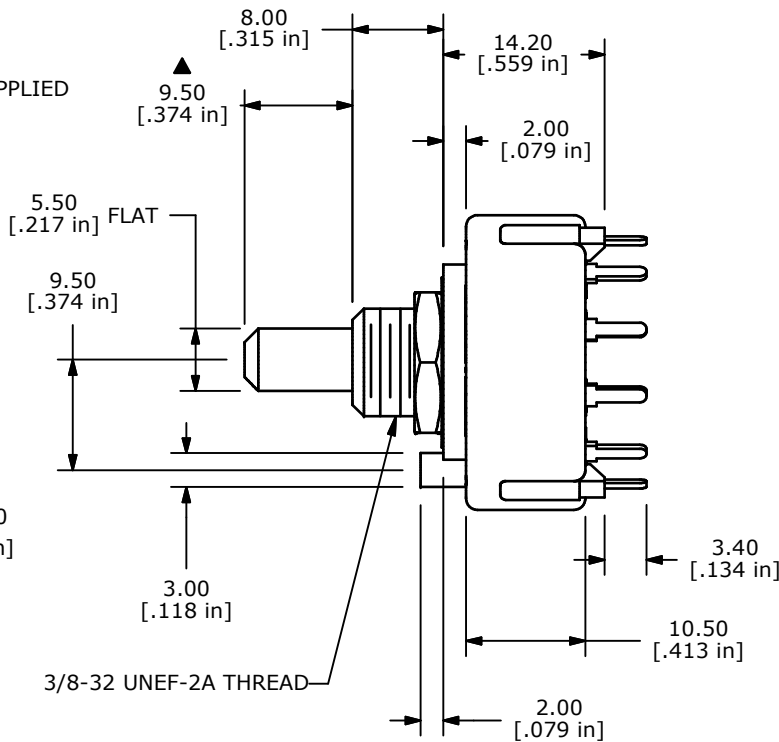
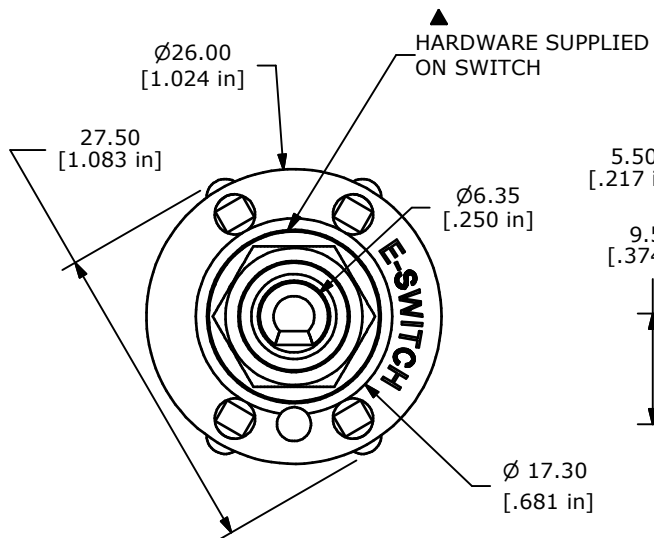
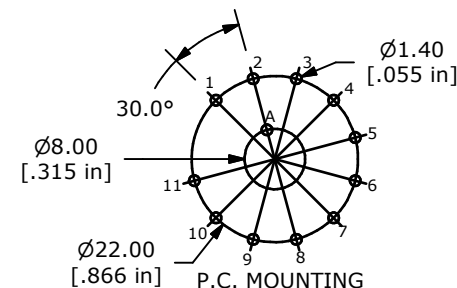
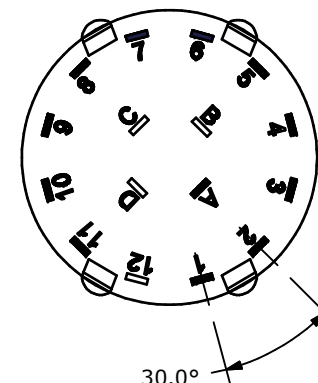
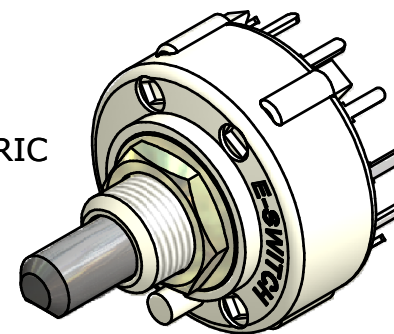


CONTACT CONFIGURATION
TIMING (BBM) NON-SHORTING



ISOMETRIC



NOTE:

1. ALL DIMENSIONS IN MM[INCH].
2. GENERAL TOLERANCE: X.X=± 0.4
X.XX=± 0.25
3. TERM. NOS. FOR REFERENCE ONLY.
- ▲ 4. CONTACT MATERIAL: GOLD
5. CONTACT RATING: 0.3A @ 125VAC
6. CONTACT RESISTANCE: 50 Milli-OHMS MAX.
7. OPERATING FORCE: 800 ± 300 g/cm
8. OPERATING TEMP: -30°C TO 85°C
- ▲ 9. CIRCUIT SP: 11 POSITION - 30° INDEX (NON-SHORTING)
10. INSULATION RESISTANCE: 100 Mega-OHMS MIN.
11. DIELECTRIC STRENGTH: 500 VAC FOR 1 min..
- ▲ 12. HARDWARE SUPPLIED ON SWITCH:
LOCKWASHER, HEXNUT, STOP RING
13. ▲ DENOTES CRITICAL PARAMETER.
14. 2002/95/EC (ROHS) COMPLIANT.



TITLE KC51A9.501NPF

A	18650	Released For Production	9/29/09	BLR
REV	PCR NO	DESCRIPTION	DATE	BY

SCALE	DATE	DR	DWG	REV
1.5:1	9/29/2009	BLR	G511017	A

THE INFORMATION CONTAINED IN THIS DOCUMENT IS PROPRIETARY TO E-SWITCH AND IS NOT TO BE COPIED OR TRANSFERRED