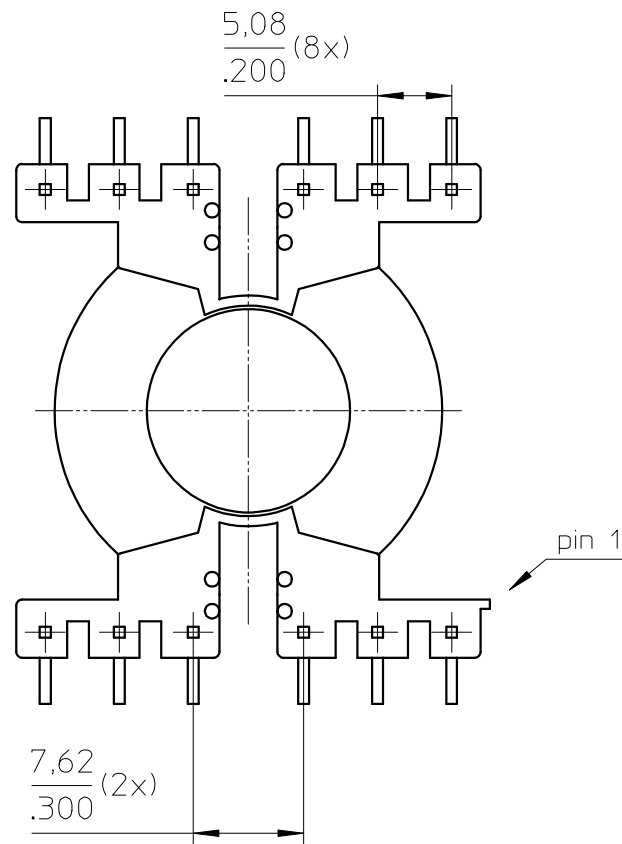
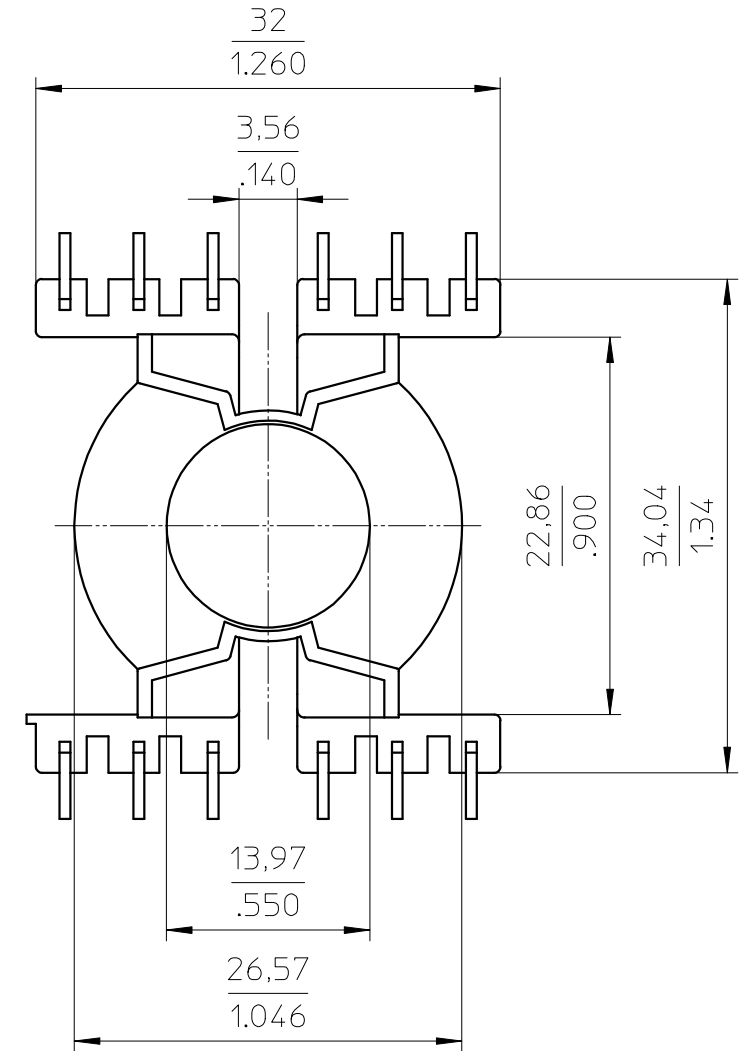
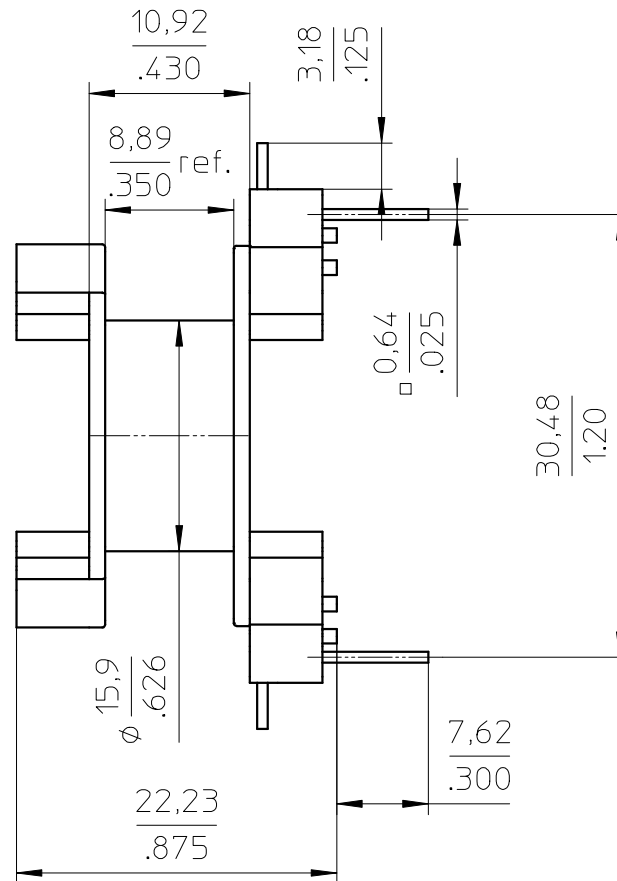
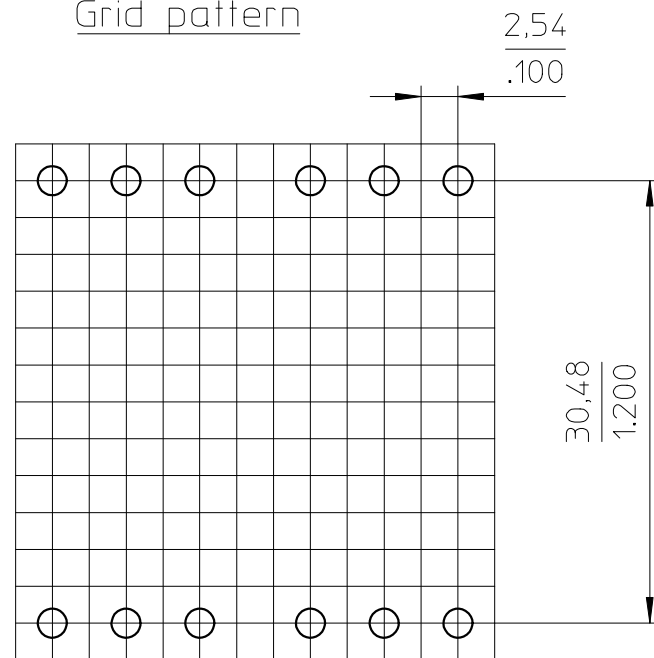


**FERROXCUBE**



Grid pattern



Coil former material: Rynite FR530 (PET), glass-reinforced, (color black).  
 UL file number: E41938 - UL94V-0.  
 max. operating temp: 180°C, class H  
 pin material: Copper-plated steel wire, Sn plated.  
 solderability: acc. to IEC 60068-2-20 part2, Test Ta method 1, 235C-2sec.  
 mean length of turn: 2.626 inch  
 winding area: 0.074 sq. inch.

CLASS.NO.	CPV-PQ32/20-1S-12PD-Z		06-02-22
	4335 060 26801		
NAME NAAM	A.Wojtasz	SUPERS. VERV.	-
MPA	CHECK CONTR.	DAT.	06-02-22
Property of Eigendom van		© FERROXCUBE 2000	
			A3