

Product Advisory

Issue Date: 22-November-2021
Revised date: 24-Novemebr-2021

Change Description:

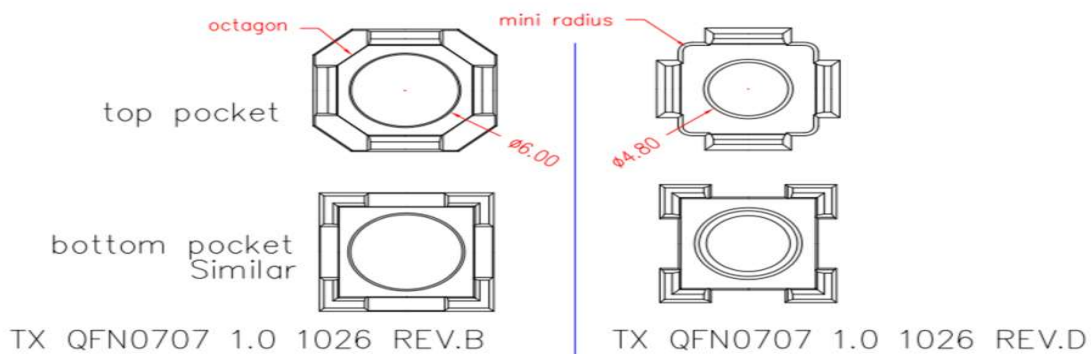
Converting Rev B to Rev D tray for 7x7 QFN packages.

Parts Affected:

B50212EB1KMLG
B50210EB1KMLG
BCM54210EB1KMLG
B50212EB1IMLG
BCM591111KMLG
BCM54210EB1IMLG
BCM5221A4IMLG
BCM5221A4KMLG
BCM54210PEB1IMLG
BCM54210PEB1KMLG

Description and Extent of Change:

Uprev of PEAK tray used in above mentioned part number TX QFN 0707 1.0 1026 from rev B to rev D, dimension shown below.



Reasons for Change:

For better baking performance

Effect of Change on Fit, Form, Function, Quality, or Reliability:

No impact to the devices, the device specification will remain the same.



Just the tray change whereby Rev D tray design have bigger seating plane. Both rev D and rev B trays are not stackable.

Effective Date of Change:

Effective immediately and will be running change until depletion of Rev B tray. Timing of shipment of the changed part will vary by part number depending on customer demand and inventory level.

The tray rev can be observed thru physical tray

Qualification Data:

The tray has been qualified and qual data is available upon request

Software / Firmware Update:

Not Applicable.

Please contact your Broadcom field sales engineer or Contact Center for any questions or support requirements. Please acknowledge the receipt of the notice within 30 days of delivery. Lack of acknowledgement within 30 days constitutes acceptance of the change per JEDEC J-STD-046.